

HEADER WITH LEFT HOLD DOWN (FIG. 1)				
PART NUMBER	NUMBER OF POWER MODULES	*DIM A*	PLATING OPTION	LEFT HOLD DOWN MODULE LOCATION ⁹
78349-100*	1X	15.00	TIN	REFER TO SHEET 2 FOR DETAILS
78349-10**	2X	26.40		

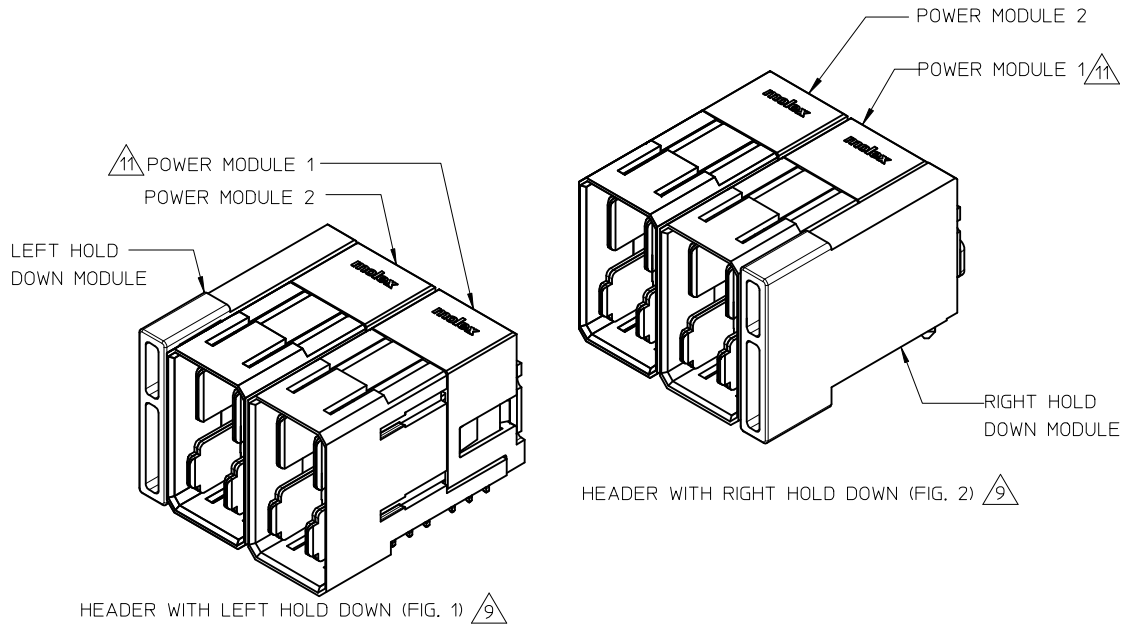
HEADER WITH RIGHT HOLD DOWN (FIG. 2)				
PART NUMBER	NUMBER OF POWER MODULES	*DIM A*	PLATING OPTION	RIGHT HOLD DOWN MODULE LOCATION ⁹
78349-200*	1X	15.00	TIN	REFER TO SHEET 3 FOR DETAILS
78349-20**	2X	26.40		

NOTES:

- MATERIALS:
HOUSING - HIGH TEMP. THERMOPLASTIC, GLASS FILLED, UL94-V0,COLOR:BLACK.
POWER PIN - COPPER ALLOY.
- FINISH:
POWER CONTACTS
0.76µm MINIMUM GOLD AT CONTACT AREA AND
2.54µm MINIMUM TIN AT SOLDERTAIL AREA
OVER 1.27µm MINIMUM NICKEL UNDERPLATE.
- PRODUCT SPECIFICATION: PS-78213-001.
- PACKAGING SPECIFICATION:
PK-78349-001 (1X MODULE WITH HOLD DOWN MODULE)
PK-78349-002 (2X MODULE WITH HOLD DOWN MODULE)
- REFER TO MOLEX PRODUCT SPECIFICATION PS-78213-001 FOR PLATED THROUGH-HOLE SPECIFICATIONS AND TORQUE FORCE.
- MATES WITH 78214-****, or 78350-****
- PART NUMBER AND YEAR-DAY CODE. CAN BE AT THE OPPOSITE SIDE.
- ADD 11.4mm FOR EACH ADDITIONAL POWER MODULE.
- THE DETAILS FOR LEFT & RIGHT HOLD DOWN OPTION ARE SHOWN IN SHEET 2 AND SHEET 3 RESPECTIVELY.
- CONNECTORS ARE PACKED IN A TRAY.
- FIRST POWER MODULE (#1) START FROM THE RIGHT.
- REFER TO SD-78213-003 FOR DETAILS OF THE POWER MODULE .
- ALL PARTS ARE SHIPPED WITH A 2-32 TYPE AB SELF-TAPPING SCREW PART NUMBER 73726-0000.
- COMPONENT STAY AWAY ZONE FROM CONNECTOR.

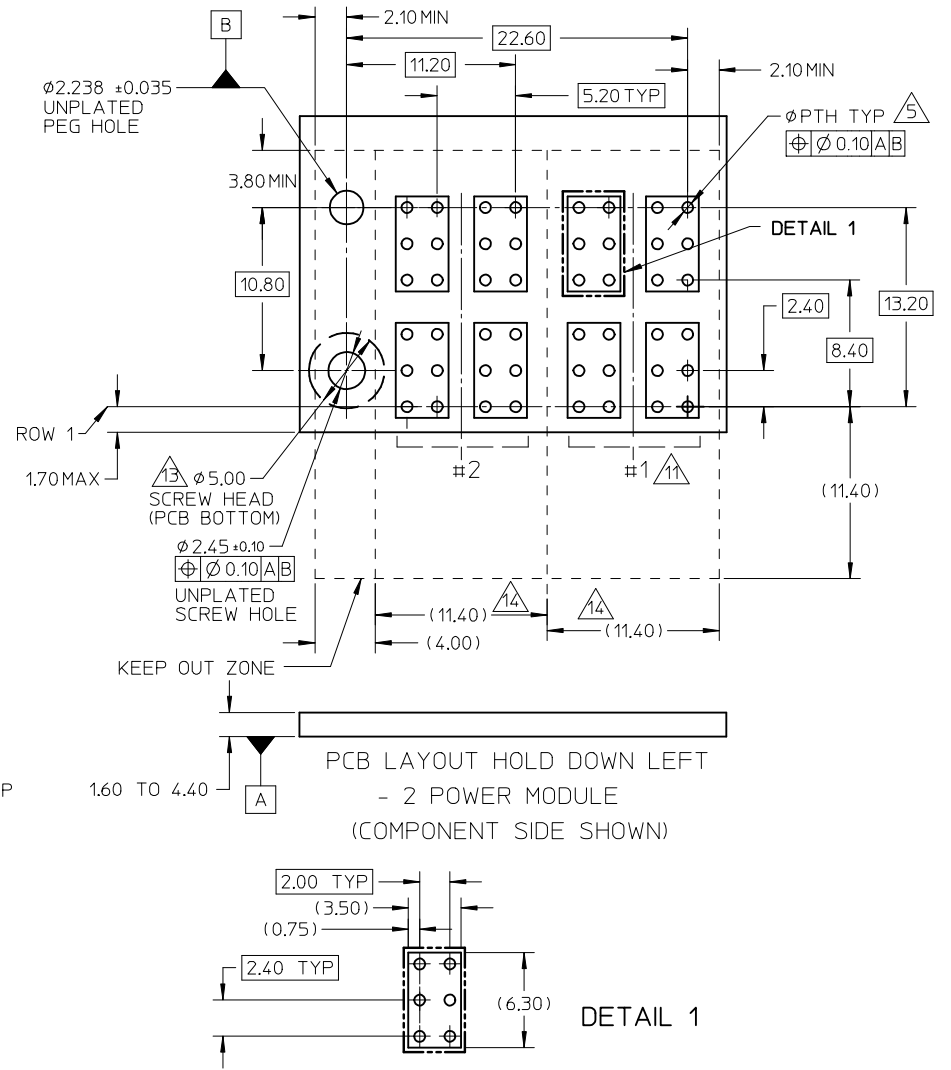
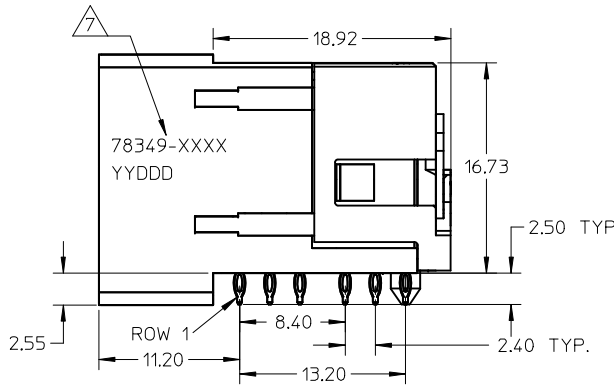
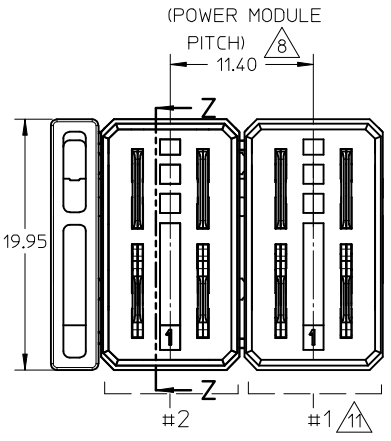
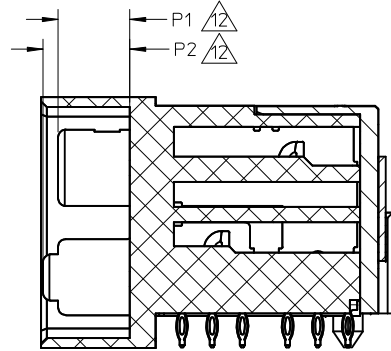
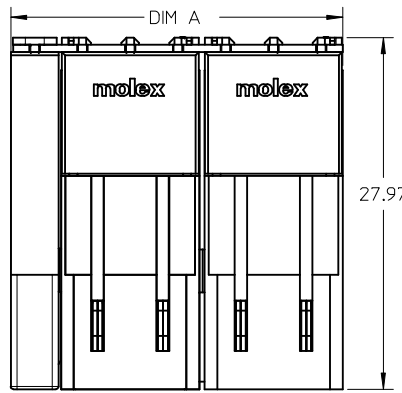
78349-*0**

PLATING OPTION	HOLD DOWN MODULE LOCATION	*	POWER MODULE 2		POWER MODULE 1 ¹¹		
			BLADE LENGTH P1	BLADE LENGTH P2	BLADE LENGTH *	BLADE LENGTH P1	BLADE LENGTH P2
TIN	LEFT	1	MODULE NOT PRESENT		1	6.90	6.90
		2	5.70	5.70	2	5.70	5.70
	RIGHT	3	6.90	5.70	3	6.90	5.70
		4	5.70	6.90	4	5.70	6.90



REV REDUNDANT DIM EC NO: S2014-0872 DRWN: SHONG 2014/05/28 CHKD: HCGOH 2015/04/07 APPR: SHLENI 2015/04/07	DESCRIPTION	QUALITY SYMBOLS F=0 E=0 E=0	GENERAL TOLERANCES (UNLESS SPECIFIED)		DIMENSION STYLE MM ONLY		SCALE NTS	DESIGN UNITS METRIC	THIRD ANGLE PROJECTION	
				mm	INCH	DRAWN BY LNG	DATE 2008/02/04	TITLE IMPACT POWER, 4 PAIR HEADER WITH HOLD DOWN PRESS FIT		
			4 PLACES	± ---	± ---	CHECKED BY ANG	DATE 2008/03/20	molex		
			3 PLACES	± ---	± ---	APPROVED BY SHONG	DATE 2011/02/08			
2 PLACES	± 0.25	± ---	MATERIAL NO.		DOCUMENT NO.	SHEET NO.				
1 PLACE	± ---	± ---	DRAFT WHERE APPLICABLE MUST REMAIN WITHIN DIMENSIONS		SEE TABLE	SD-78349-001		1 OF 5		
0 PLACE	± ---	± ---	ANGULAR ± 3 °		SIZE A3	THIS DRAWING CONTAINS INFORMATION THAT IS PROPRIETARY TO MOLEX INCORPORATED AND SHOULD NOT BE USED WITHOUT WRITTEN PERMISSION				

LEFT HOLD DOWN OPTION



PCB LAYOUT HOLD DOWN LEFT
- 2 POWER MODULE
(COMPONENT SIDE SHOWN)

COPPER PAD REFERENCE

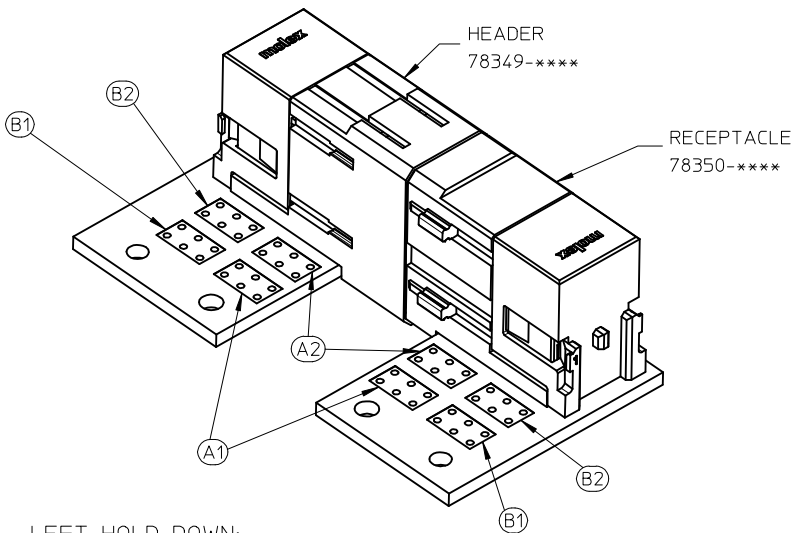
REV REDUNDANT DIM IEC NO: SZ014-0872 DRWN: SHONG CHKD: HCGOH APPR: SHLENI 2014/05/28 2015/04/07 2015/04/07	QUALITY SYMBOLS $\nabla = 0$ $\nabla = 0$ $\nabla = 0$	GENERAL TOLERANCES (UNLESS SPECIFIED)		DIMENSION STYLE	SCALE	DESIGN UNITS	THIRD ANGLE PROJECTION		
				MM ONLY	NTS	METRIC			
				mm	INCH	TITLE			
		4 PLACES	\pm ---	\pm ---	DRAWN BY: LNG DATE: 2008/02/04				
		3 PLACES	\pm ---	\pm ---	CHECKED BY: ANG DATE: 2008/03/20				
2 PLACES	± 0.25	\pm ---	APPROVED BY: SHONG DATE: 2011/02/08						
1 PLACE	\pm ---	\pm ---	MATERIAL NO.						
0 PLACE	\pm ---	\pm ---	DOCUMENT NO.						
ANGULAR $\pm 3^\circ$			DRAFT WHERE APPLICABLE MUST REMAIN WITHIN DIMENSIONS		SEE TABLE		SHEET NO. 2 OF 5		

IMPACT POWER, 4 PAIR
HEADER WITH HOLD DOWN
PRESS FIT

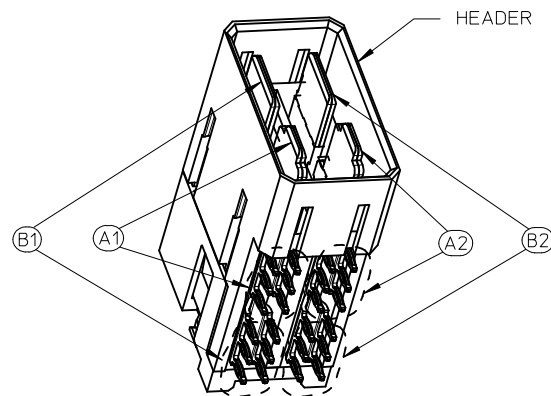


SD-78349-001

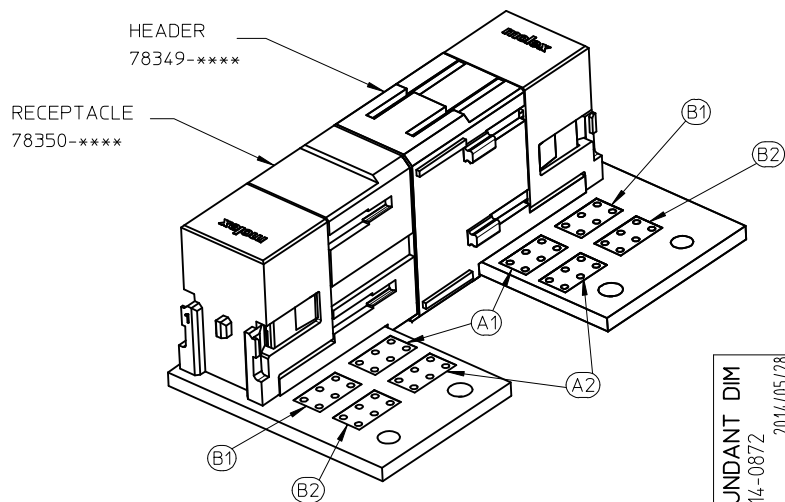
THIS DRAWING CONTAINS INFORMATION THAT IS PROPRIETARY TO MOLEX INCORPORATED AND SHOULD NOT BE USED WITHOUT WRITTEN PERMISSION



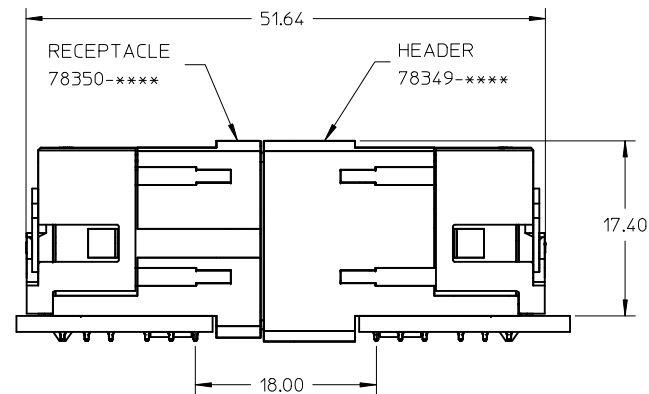
LEFT HOLD DOWN:
1 POWER MODULE AND HOLD DOWN REMOVED TO ILLUSTRATE CIRCUIT PATH OF MATED SYSTEM



PIN NUMBER ASSIGNMENT BASED ON HEADER SIDE:
A1, B1 ON THE LEFT,
A2, B2 ON THE RIGHT.

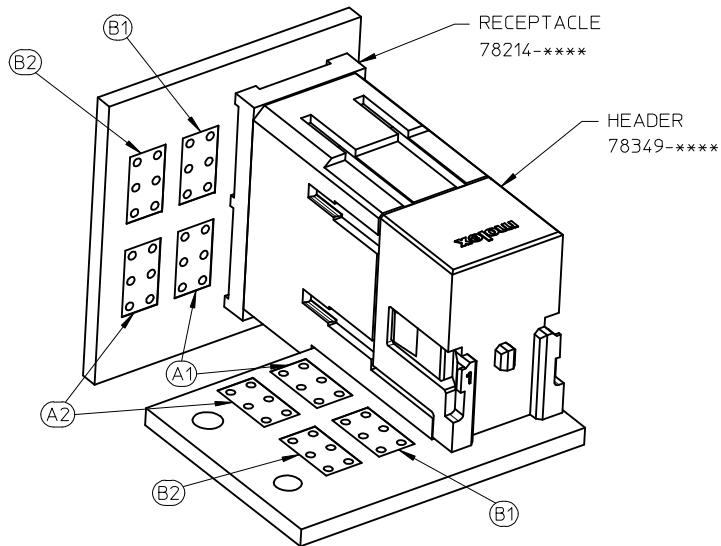


RIGHT HOLD DOWN:
1 POWER MODULE AND HOLD DOWN REMOVED TO ILLUSTRATE CIRCUIT PATH OF MATED SYSTEM

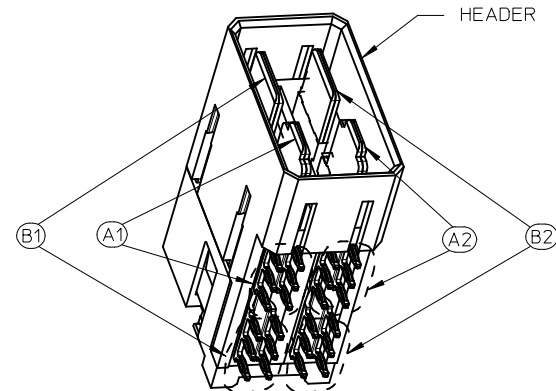


MATED SYSTEM OF 78349 & 78350

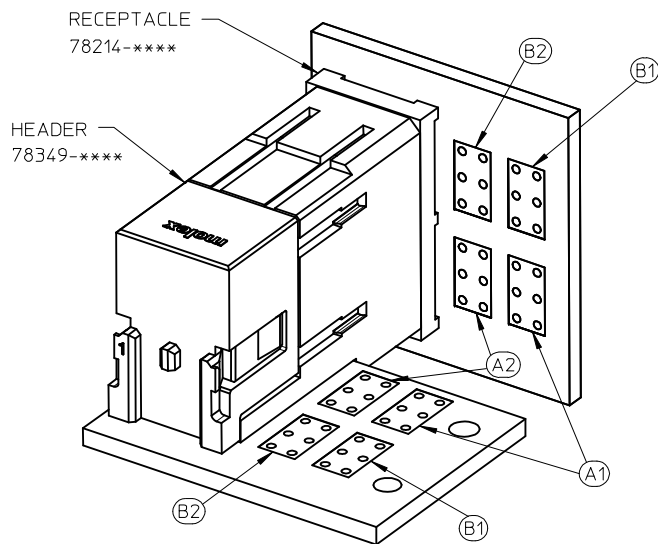
REV REDUNDANT DIM EC NO: S2014-0872 DRWN: SHONG CHKD: HICGOH APPR: SILENI	2014/05/28 2015/04/07 2015/04/07	DESCRIPTION REV	QUALITY SYMBOLS $F_A=0$ $F_E=0$ $F_P=0$		GENERAL TOLERANCES (UNLESS SPECIFIED)		DIMENSION STYLE MM ONLY		SCALE NTS	DESIGN UNITS METRIC	THIRD ANGLE PROJECTION		
					mm INCH	DRAWN BY LNG	DATE 2008/02/04	TITLE IMPACT POWER, 4 PAIR HEADER WITH HOLD DOWN PRESS FIT					
					4 PLACES ± --- ± --- 3 PLACES ± --- ± --- 2 PLACES ± 0.25 ± --- 1 PLACE ± --- ± --- 0 PLACE ± --- ± ---	CHECKED BY ANG	DATE 2008/03/20	molex					
					ANGULAR ± 3 ° DRAFT WHERE APPLICABLE MUST REMAIN WITHIN DIMENSIONS	APPROVED BY SHONG	DATE 2011/02/08						



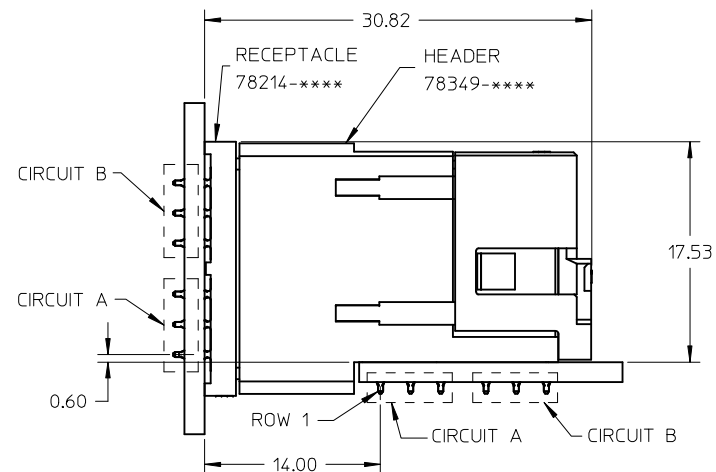
RIGHT HOLD DOWN:
1 POWER MODULE AND HOLD DOWN REMOVED TO ILLUSTRATE CIRCUIT PATH OF MATED SYSTEM



PIN NUMBER ASSIGNMENT BASED ON HEADER SIDE:
A1, B1 ON THE LEFT,
A2, B2 ON THE RIGHT.



LEFT HOLD DOWN:
1 POWER MODULE AND HOLD DOWN REMOVED TO ILLUSTRATE CIRCUIT PATH OF MATED SYSTEM



MATED SYSTEM FOR 78349 & 78214

REV REDUNDANT DIM EC NO: S2014-0872 DRWN: SHONG CHKD: HICG0H APPR: SHLENI 2014/05/28 2015/04/07 2015/04/07	QUALITY SYMBOLS $F_A=0$ $F_E=0$ $F_P=0$	GENERAL TOLERANCES (UNLESS SPECIFIED)		DIMENSION STYLE MM ONLY		SCALE NTS	DESIGN UNITS METRIC	THIRD ANGLE PROJECTION		
		4 PLACES ± --- ± ---	3 PLACES ± --- ± ---	mm	INCH	DRAWN BY LNG	DATE 2008/02/04	TITLE IMPACT POWER, 4 PAIR HEADER WITH HOLD DOWN PRESS FIT		
		2 PLACES ± 0.25 ± ---	1 PLACE ± --- ± ---	0 PLACE ± --- ± ---	ANGULAR ± 3 °	CHECKED BY ANG	DATE 2008/03/20	molex		
		DRAFT WHERE APPLICABLE MUST REMAIN WITHIN DIMENSIONS		MATERIAL NO. SEE TABLE	DOCUMENT NO. SD-78349-001	APPROVED BY SHONG		DATE 2011/02/08	SHEET NO. 5 OF 5	