

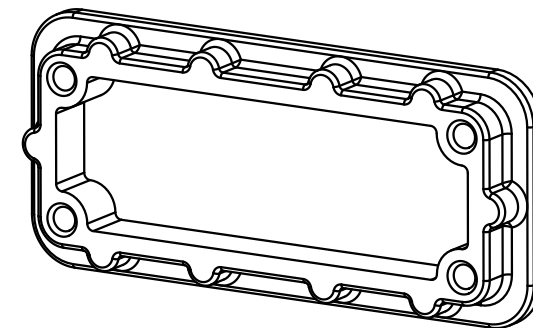
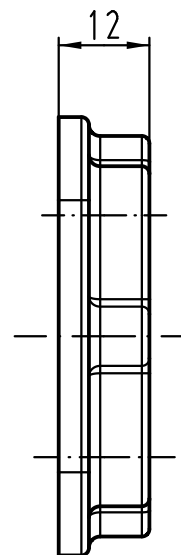
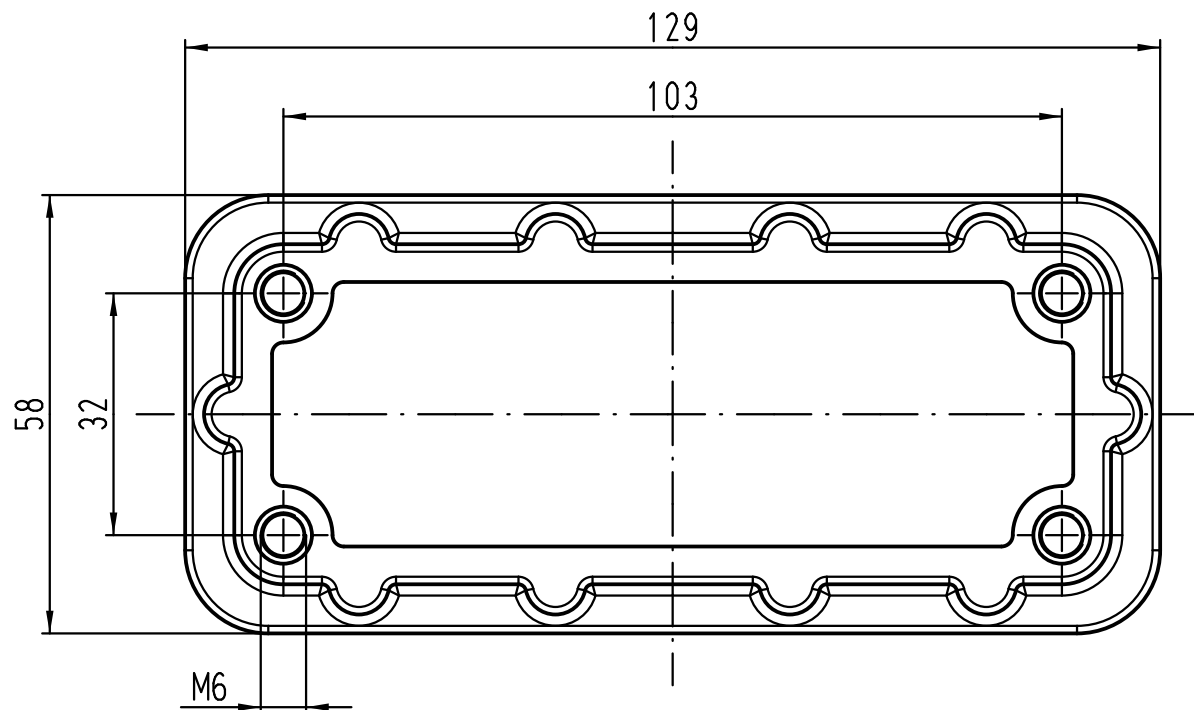
5

4

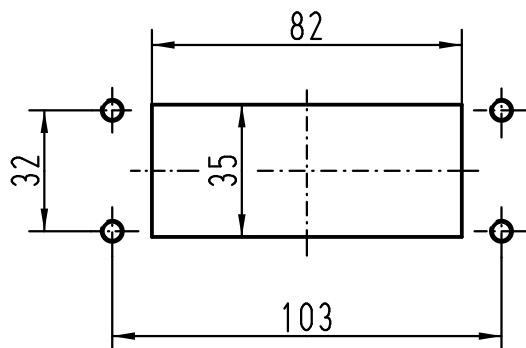
3

2

1



Montageausschnitt (1:2)  
panel cut out



|   |      |   |          |            |   |  |
|---|------|---|----------|------------|---|--|
| All Dimensions in mm<br>Original Size DIN A 4 |      | Techn. Character.                                   |          |            | Nicht tolerierte Maße! Free size tolerances |  |
|   |      |   | Dat.     | Name       | Maßstab/Scale<br><b>1:1</b>                 | <b>Han 16HPR Montagerahmen</b><br>Han 16HPR assembly frame     |
|   |      | Detail.   | 08.08.11 | gru        |   |  |
|   |      | Insp.   |          | Wa         |   |  |
|   |      | Stand.  |          |            |   |  |
| A   |      | HARTING Electric GmbH & Co. KG<br>D-32339 Espelkamp |          |            |   | <b>TB 09 40 000 9903</b><br>Sub. TB 09 40 000 9903 v. 05.03.99 |
| Mod.  | Dat. | Name  |          | Blatt/page |   |  |