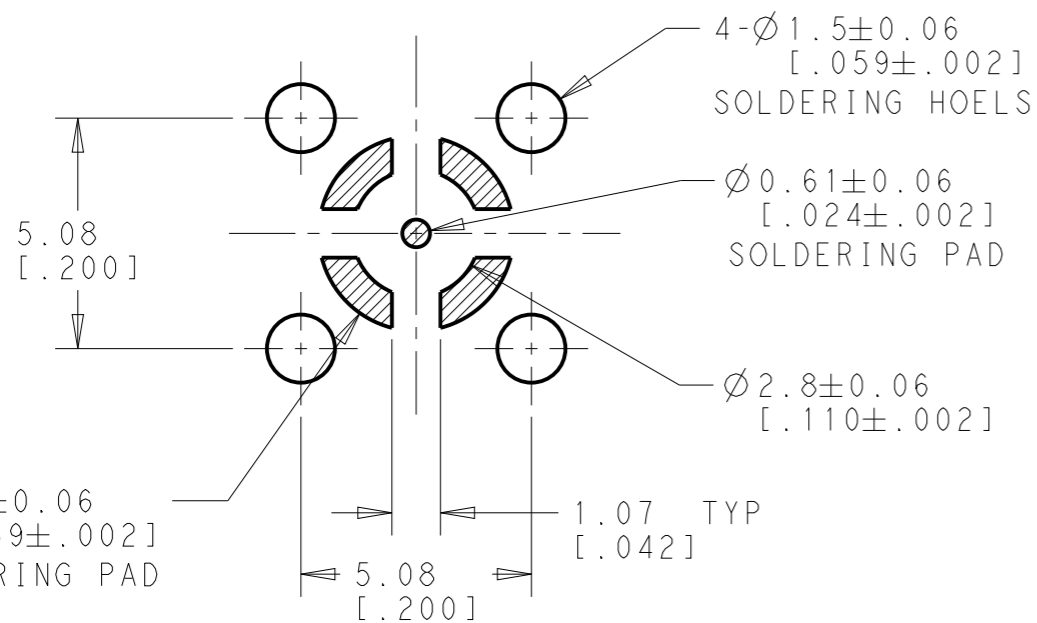
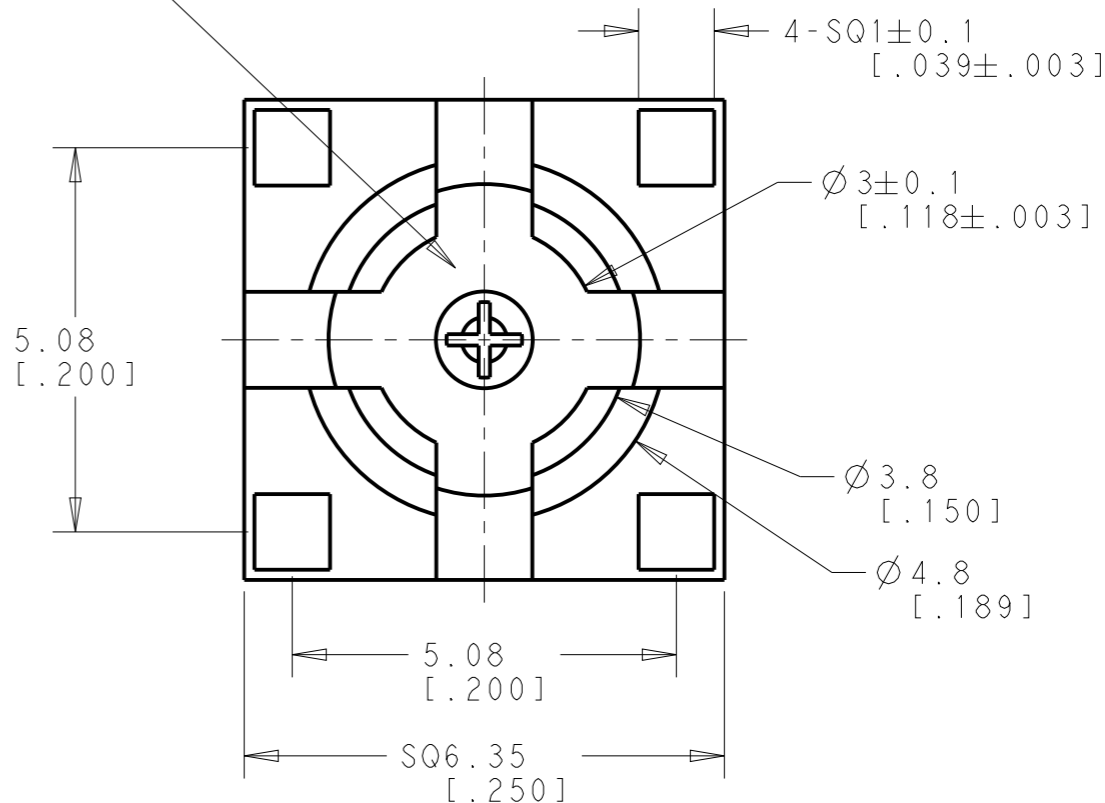
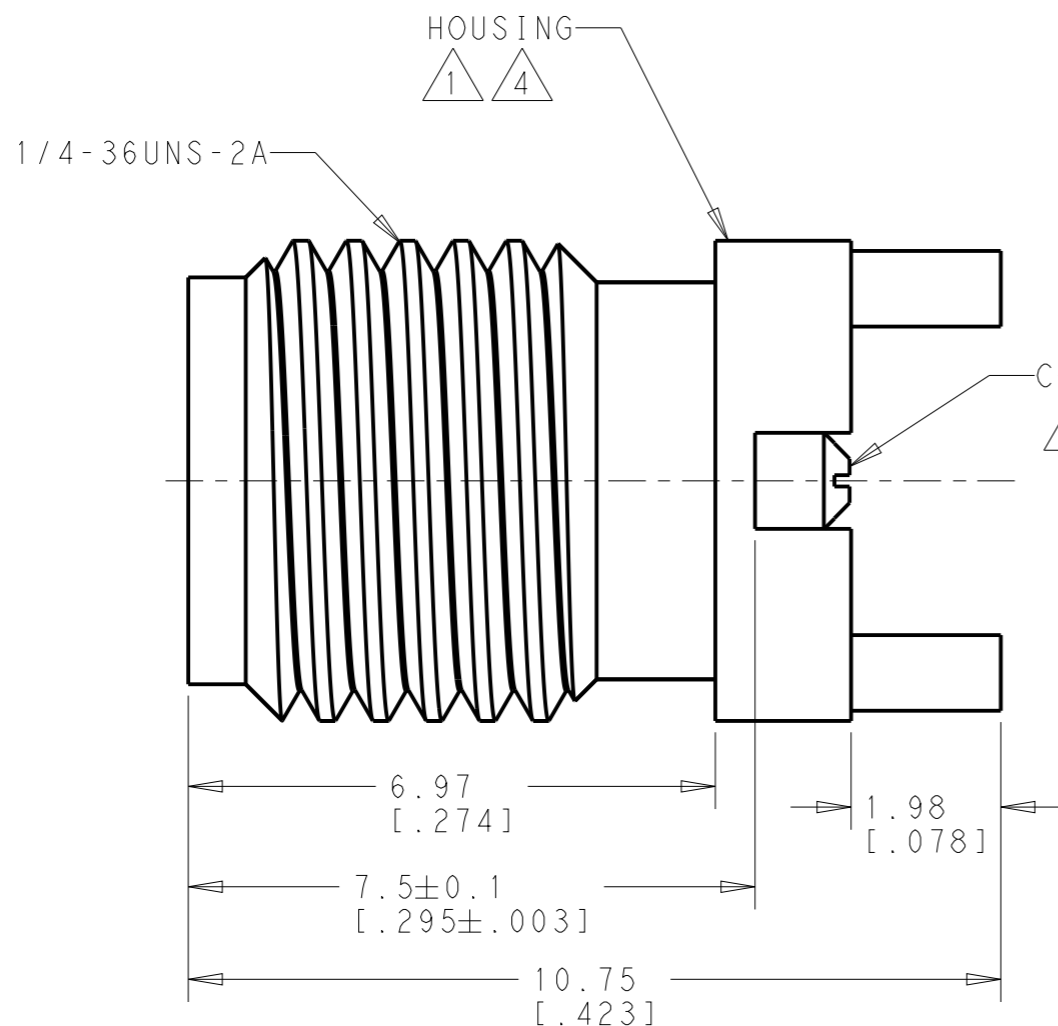
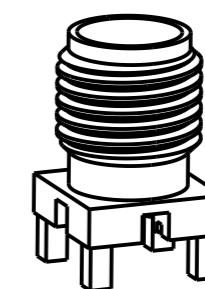


LOC	DIST	REVISIONS			
P	LTR	DESCRIPTION	DATE	DWN	APVD
-	-	C	PER ECO-14-009271	25 JUN 14	AM MY



- 1 BRASS
- 2 BERYLLIUM COPPER
- 3 PTFE
- 4 GOLD PLATED



SCALE 3:1

2081170-1
 P/N

Ø4.3±0.06
 [.169±.002]
 SOLDERING PAD

RECOMMENDED PCB LAYOUT
 SCALE 6:1

THIS DRAWING IS A CONTROLLED DOCUMENT.		DWN ANSON MA 29AUG2011		
DIMENSIONS: mm[INCH]		CHK -		
TOLERANCES UNLESS OTHERWISE SPECIFIED:		APVD MARTIN YE 29AUG2011	NAME SMA JACK STRAIGHT, 26 GHz RF CONNECTOR	
0 PLC ±-		PRODUCT SPEC -	APPLICATION SPEC -	
1 PLC ±0.2		WEIGHT -	SIZE A3	CAGE CODE 00779
2 PLC ±0.1		CUSTOMER DRAWING	DRAWING NO C-2081170	RESTRICTED TO -
3 PLC ±0			SCALE 10:1	SHEET 1 OF 1
4 PLC ±0				REV C
ANGLES ±2°				
MATERIAL NOTES	FINISH NOTES			