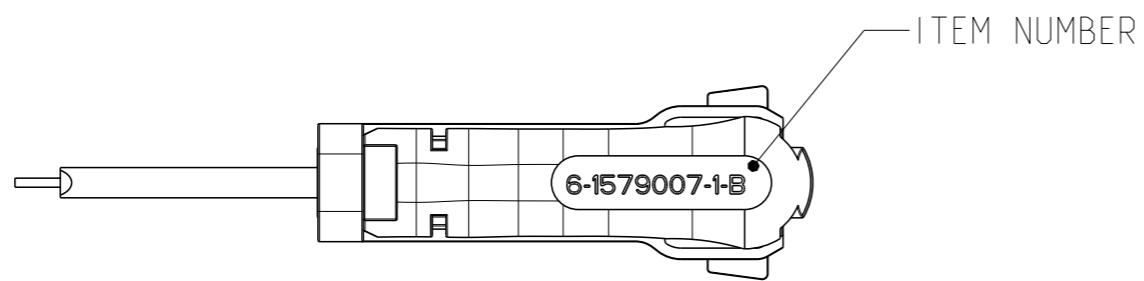
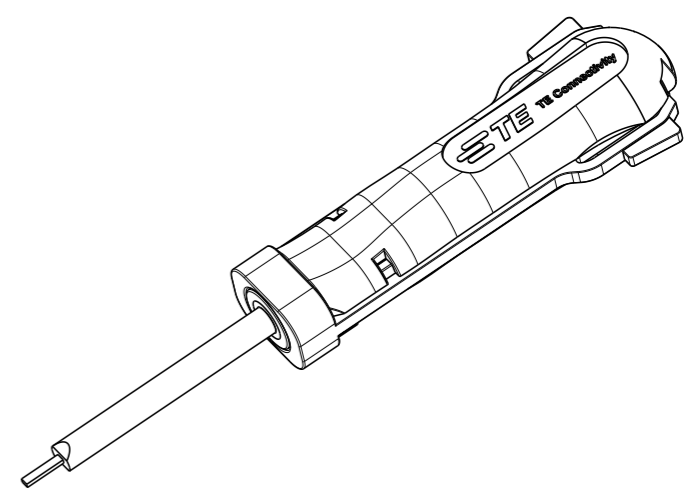
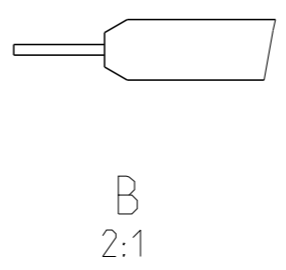
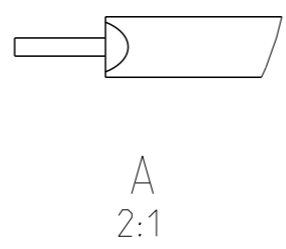
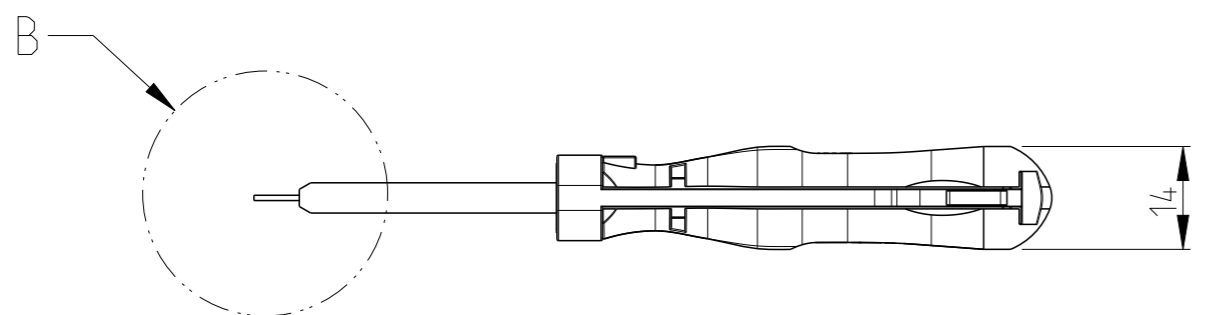
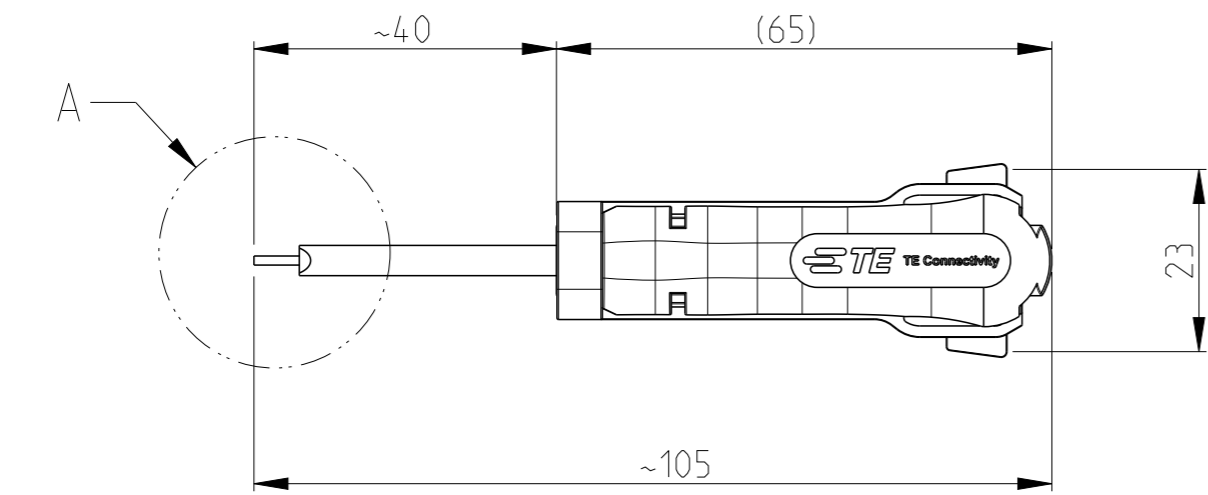


REVISIONS

P	LTR	DESCRIPTION	DATE	DWN	APVD
	B1	ECR-16-014888	21OCT2016	KH	BM



APPLICATION RANGE /Anwendungsbereich:

FOR MQS/MQS1.2      963715, 928999,  
 1411560, 928918  
 962885 and 963727

THIS DRAWING IS A CONTROLLED DOCUMENT.

DIMENSIONS: mm	TOLERANCES UNLESS OTHERWISE SPECIFIED:
	0 PLC ± 1 PLC ± 2 PLC ± 3 PLC ± 4 PLC ± ANGLES ±1°
MATERIAL	FINISH
-	-

DWN	H. Fink	18DEC06
CHK	G. Stegmayer	13DEC2006
APVD	G. Stegmayer	13DEC2006
PRODUCT SPEC	-	-
APPLICATION SPEC	-	-
WEIGHT	0.050kg	-
CUSTOMER DRAWING		

TE Connectivity		NAME		RESTRICTED TO
		EXTRACTION TOOL Entriegelungswerkzeug		
SIZE	CAGE CODE	DRAWING NO	-	
A3	00779	©-6-1579007-1	-	
SCALE		SHEET	OF	REV
5:1		1	1	B1