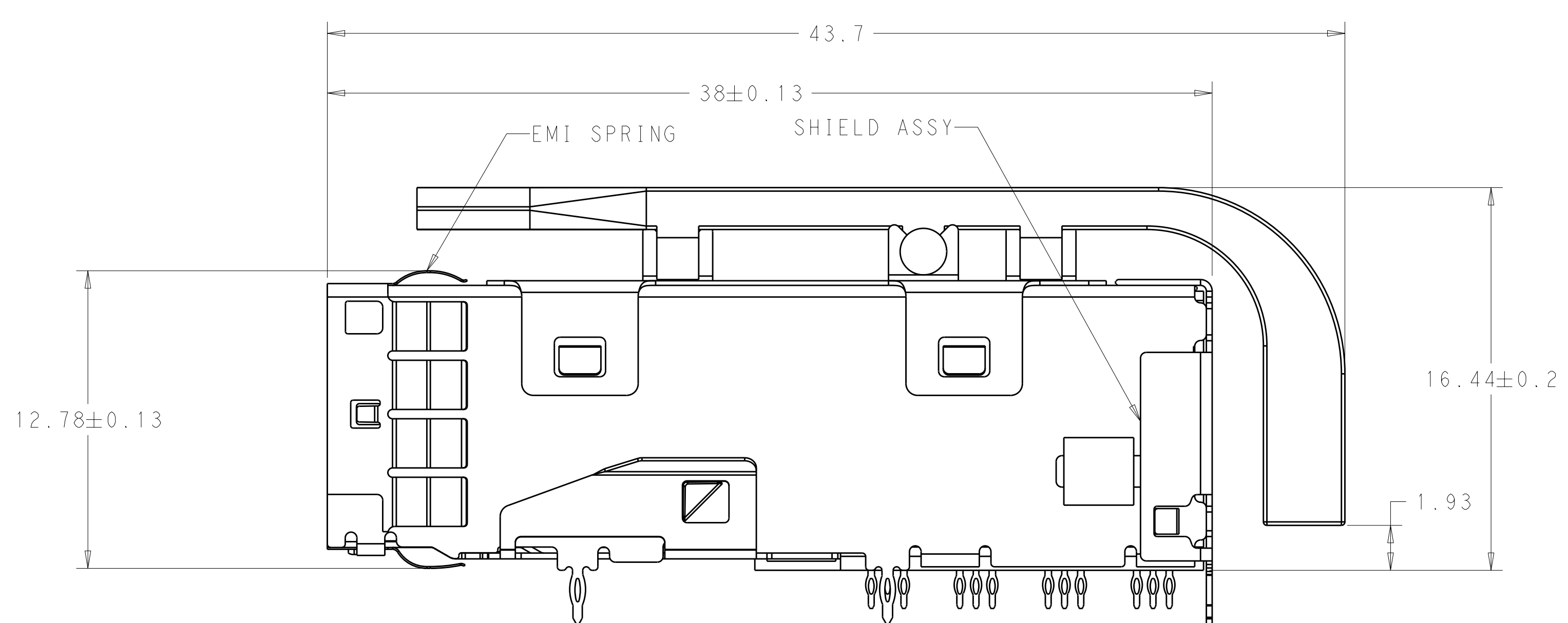
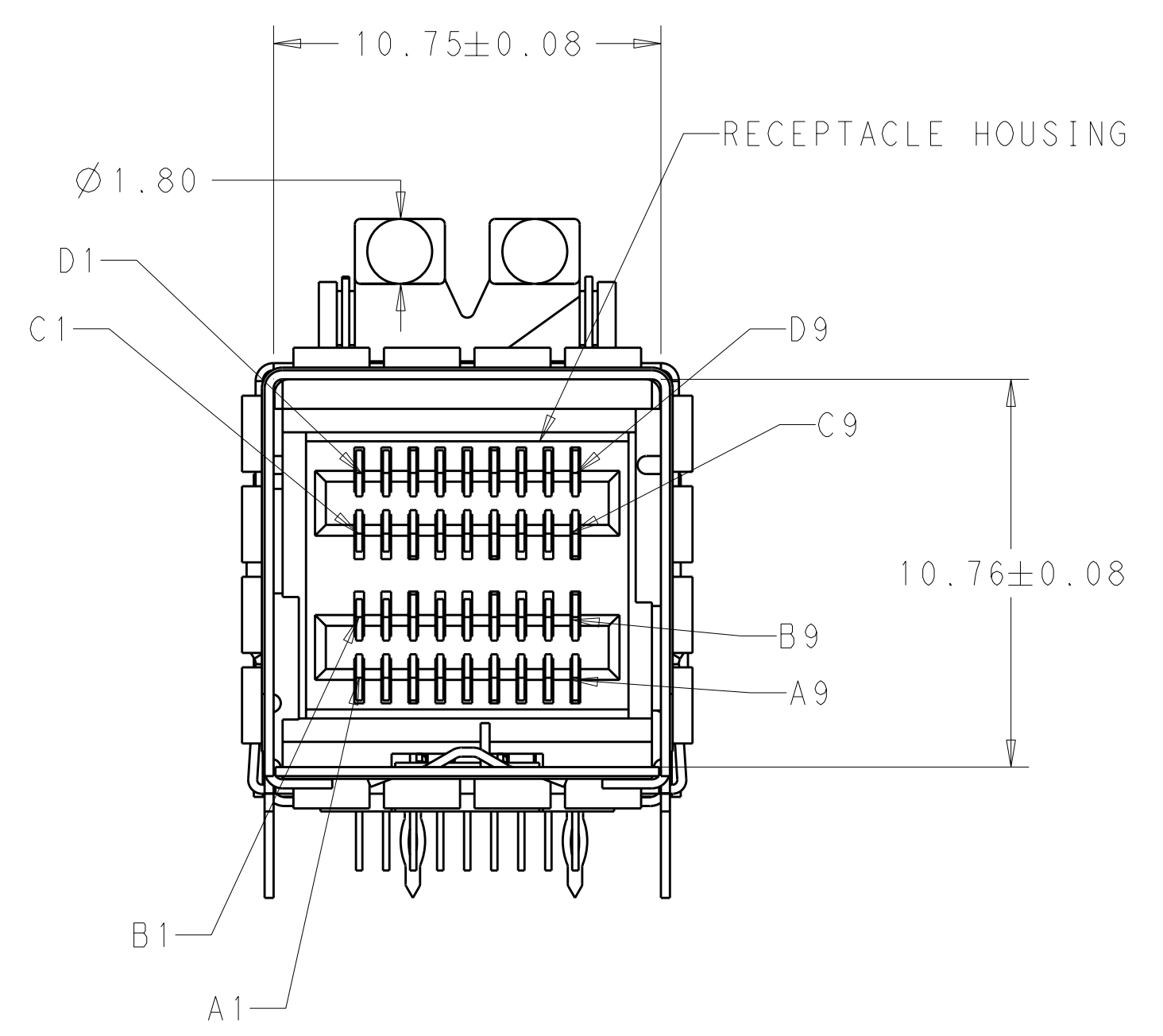
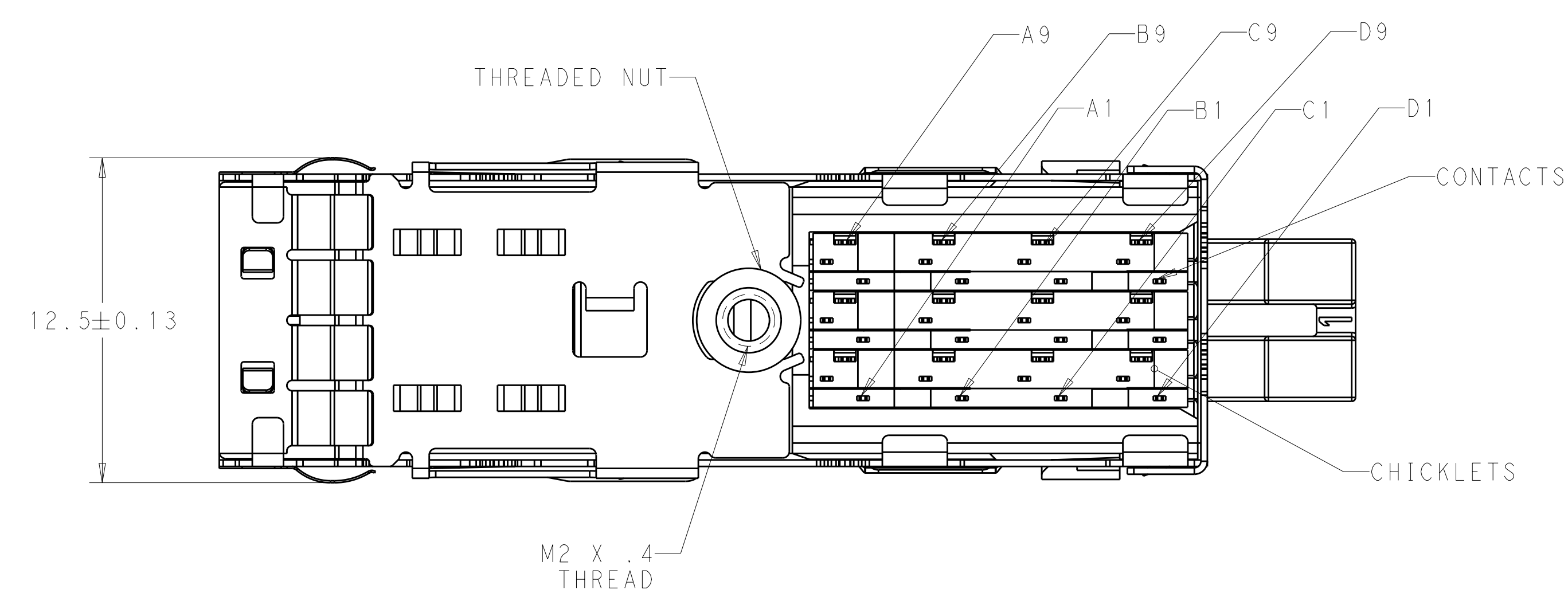


LOC		DIST		REVISIONS			
P	LT#	DESCRIPTION	DATE	DWN	APVD		
1		PROPOSED	15NOV2011	JTS	JTS		
2		REMOVED PRELIMINARY NOTE	05JAN2012	PK	JTS		
		ADDED NOTE 5					
3		PCB KEEPOUT UPDATE	13MAR2013	JS	JS		



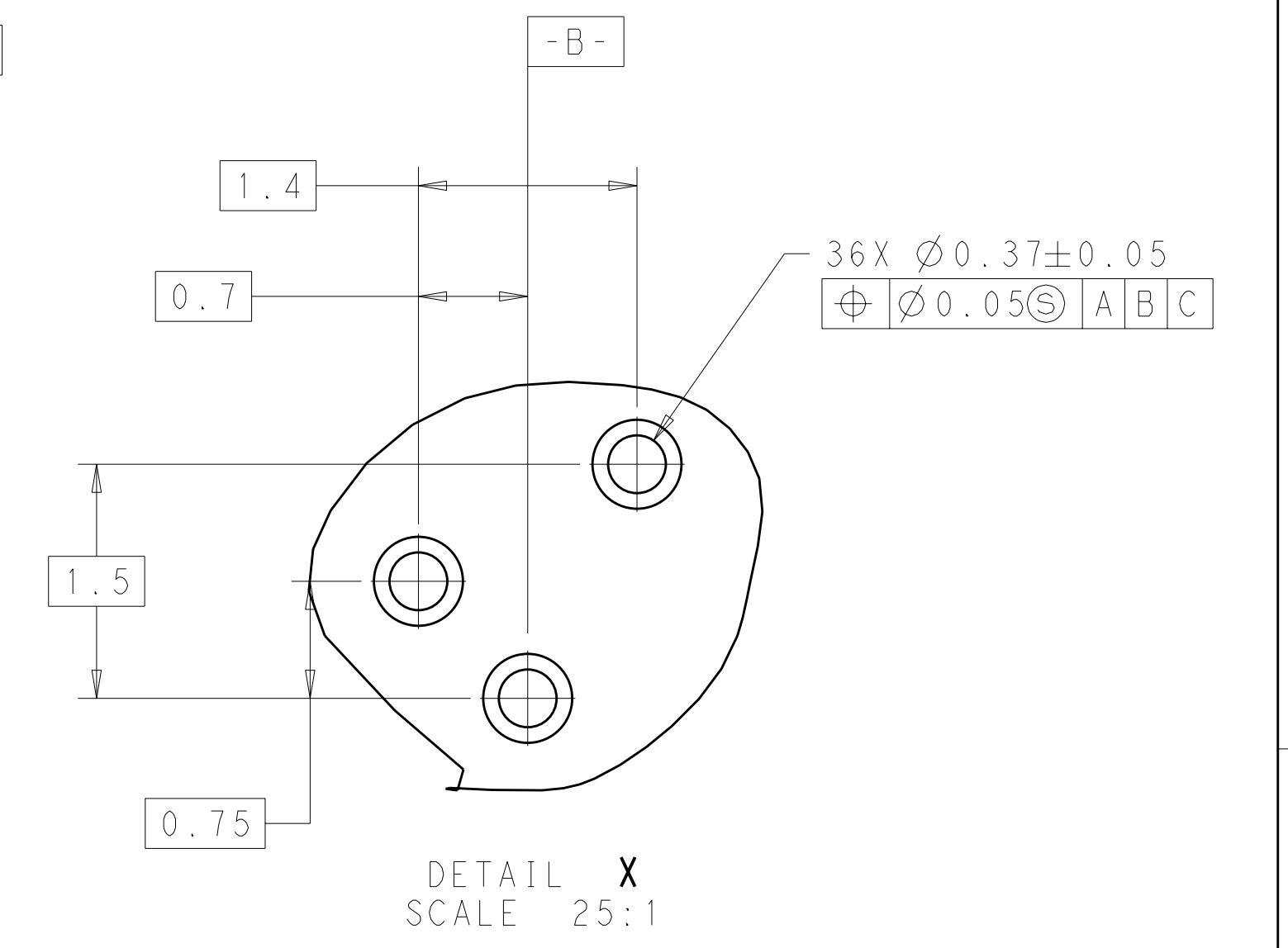
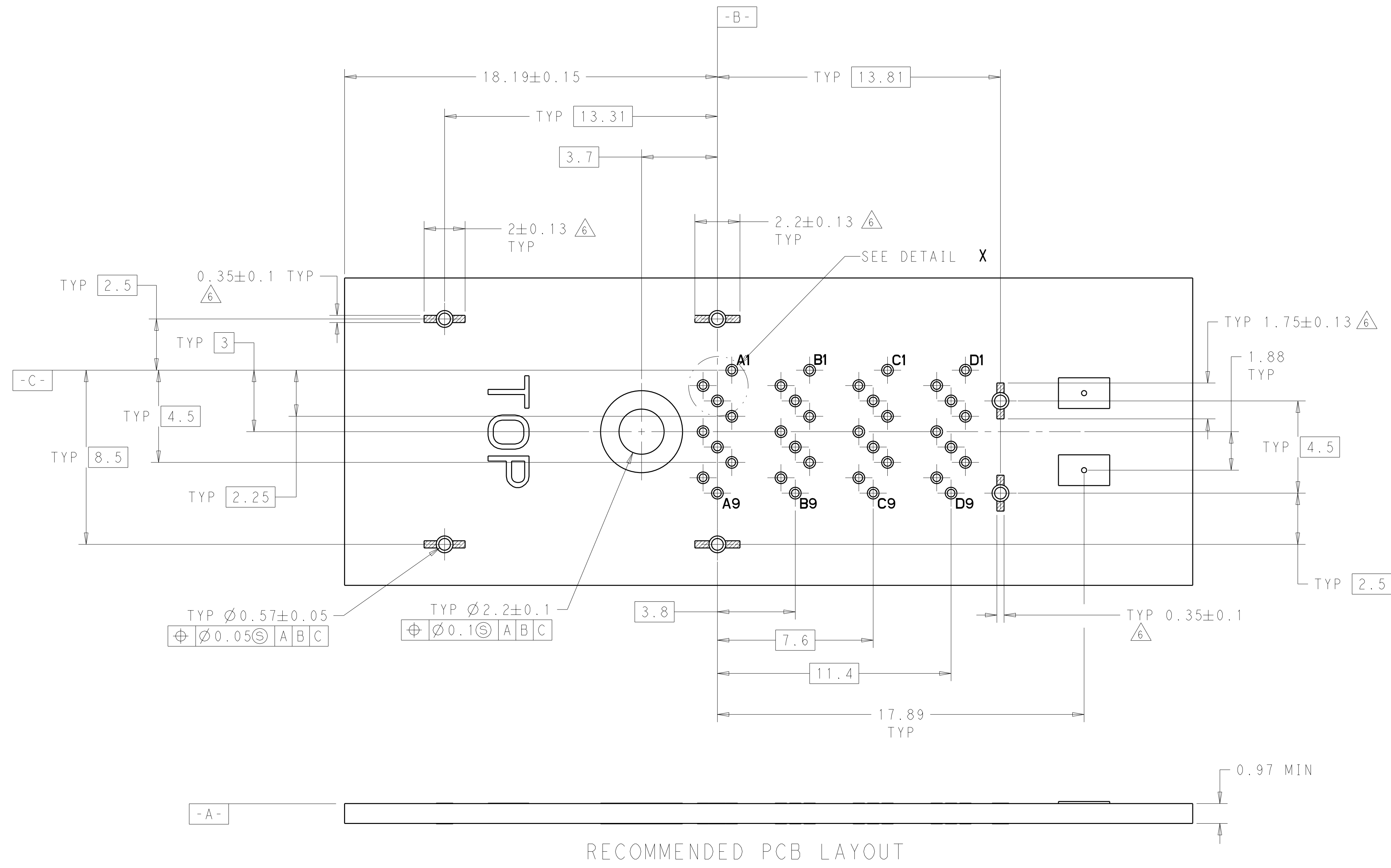
1. MATERIALS
 RECEPTACLE HOUSING, LCP, BLACK, UL94V-0 RATED
 SHIELD ASSY: NICKEL-SILVER COPPER ALLOY
 CONTACTS: COPPER ALLOY
 EMI SPRING: COPPER ALLOY
 THREADED NUT: BRASS
 CHICKLETS: LCP, BLACK, UL 94V-0 RATED
 LIGHTPIPE CLIP: STAINLESS STEEL
 LIGHTPIPE: POLYCARBONATE
2. FINISH
 EMI SPRING: TIN PLATE OVER NICKEL PLATE
 NON-PLATED EDGES PERMISSABLE
 THREADED NUT: NICKEL PLATE
3. CONTACT FINISH: CONFORMS TO THE REQUIREMENTS OF TE PRODUCT SPECIFICATION, 108-2399. BASED ON EIA/ECA-364-1000.01A. (CONTROLLED ENVIRONMENT APPLICATIONS) ON MATING END. TIN PLATED ON PCB TAIL
4. THREAD LENGTH OF FASTENER = PCB THICKNESS+1.45 MAX
5. THIS PRODUCT HAS NOT COMPLETED VALIDATION/QUALIFICATION TESTING
6. RECOMMENDED TRACE KEEP OUT ZONE



2198484-1
 PART NUMBER

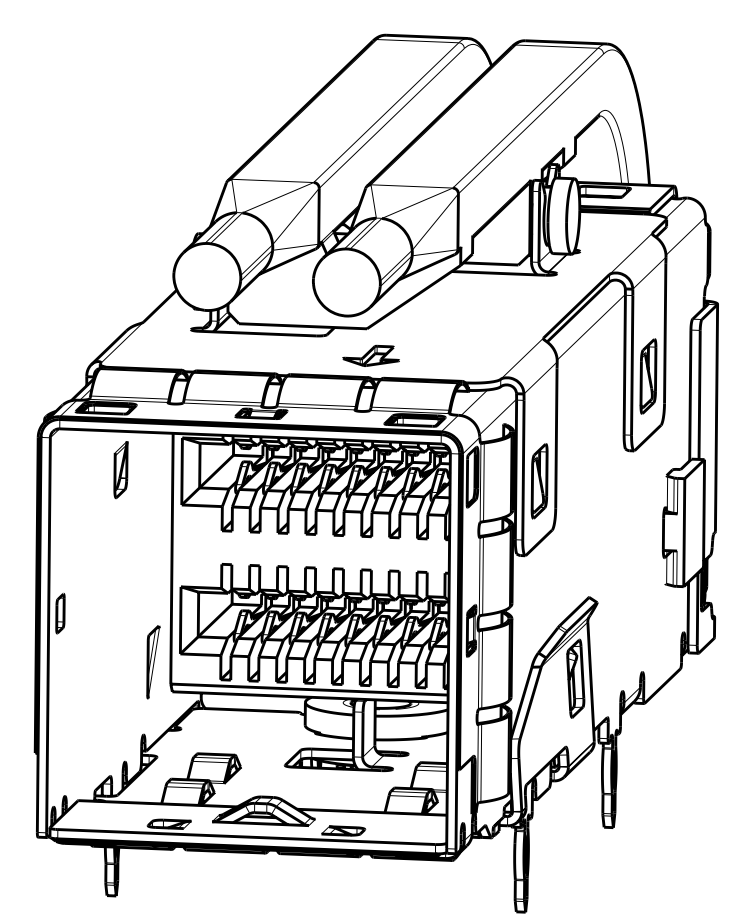
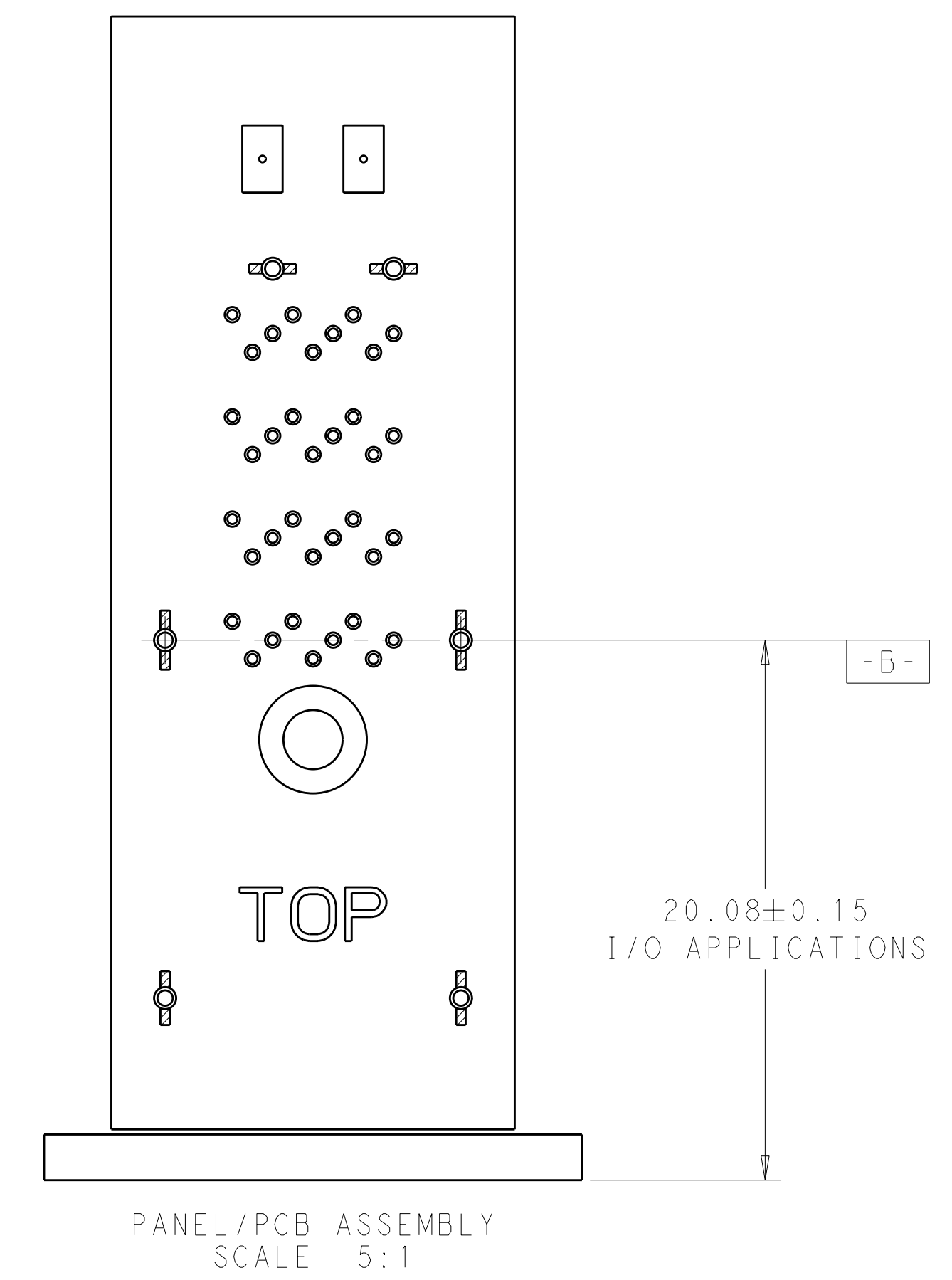
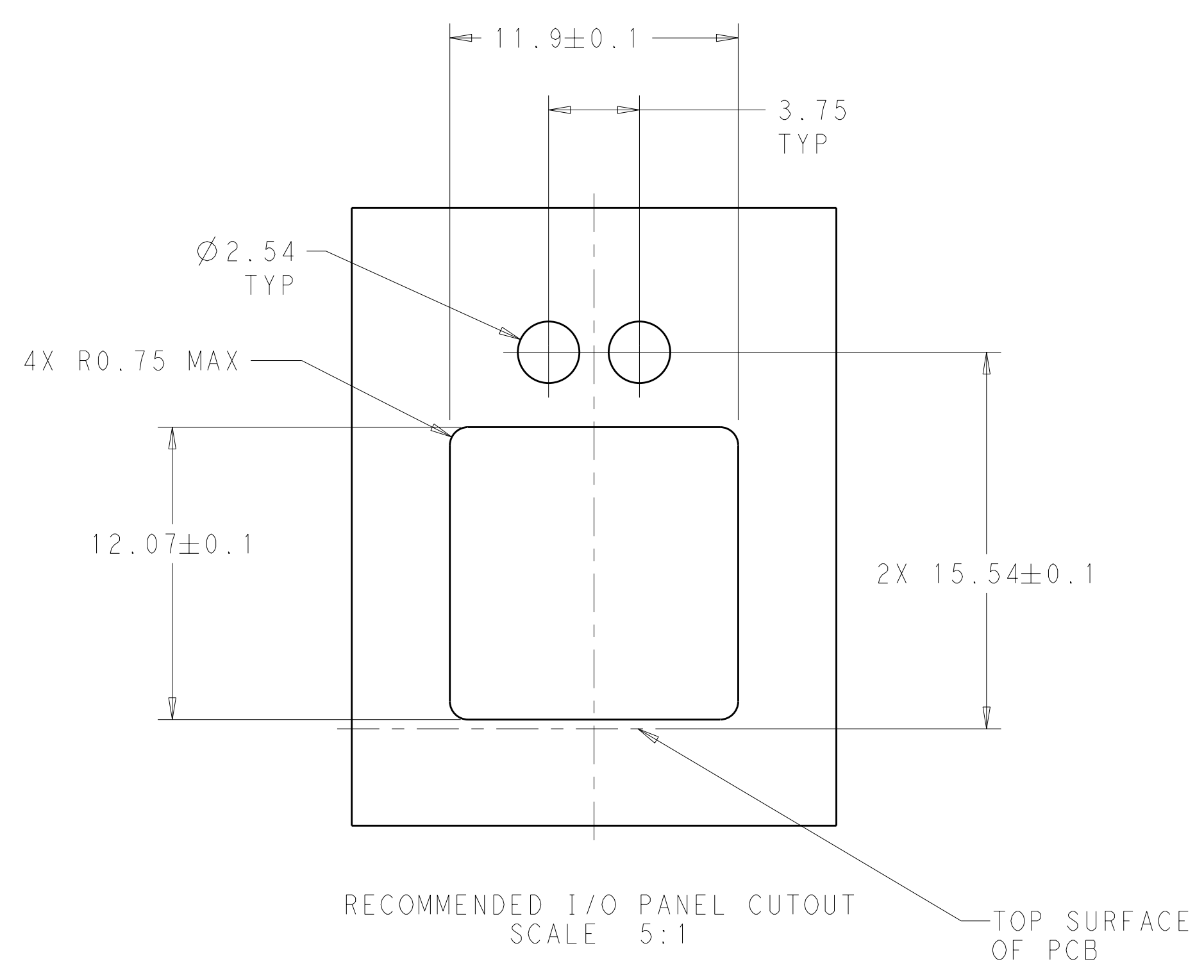
THIS DRAWING IS A CONTROLLED DOCUMENT.		DWN	J. SECHRIST	15NOV2011	NAME	RESTRICTED TO
		CHK	J. SECHRIST	15NOV2011		
DIMENSIONS:		TOLERANCES UNLESS OTHERWISE SPECIFIED:		PRODUCT SPEC		
mm		9 PLC ±		108-2462		
		2 PLC ±0.25		APPLICATION SPEC		
		5 PLC ±0.13		114-13316		
		4 PLC ±		WEIGHT		
		ANGLES ±		A100779C=2198484		
MATERIAL		FINISH		CUSTOMER DRAWING		
				SCALE 6:1 SHEET 1 OF 3 REV 3		

LOC	DIST	REVISIONS			
AG	00	REV	DATE	BY	APPD
		1			
		2			
		3			
		4			
		5			
		6			
		7			
		8			
		9			
		10			
		11			
		12			
		13			
		14			
		15			
		16			
		17			
		18			
		19			
		20			



THIS DRAWING IS A CONTROLLED DOCUMENT.		DATE: 15NOV2011	DWG: J. SECHRIST	
DIMENSIONS: mm		PRODUCT SPEC: 108-2462	CHK: J. SECHRIST	
TOLERANCES UNLESS OTHERWISE SPECIFIED:		APPLICATION SPEC: 114-13316	APVD: J. SECHRIST	
9 PLC ±		WEIGHT: -	NAME: -	
2 PLC ±0.25		SIZE: A100779	CAGE CODE: C=2198484	
3 PLC ±0.13		SCALE: 6:1	SHEET: 2 OF 3	
4 PLC ±		CUSTOMER DRAWING	REV: 3	
ANGLES ±				
FINISH ±				

LOC	DIST	REVISIONS			
P	LTG	DESCRIPTION	DATE	DWN	APVD
AG	00	SEE SHEET 1			



THIS DRAWING IS A CONTROLLED DOCUMENT.		DWN: J. SECHRIST 15NOV2011	TE Connectivity	
DIMENSIONS: mm		CHK: J. SECHRIST 15NOV2011		
TOLERANCES UNLESS OTHERWISE SPECIFIED:		APVD: J. SECHRIST	NAME: RECEPTACLE ASSEMBLY, MINI-SAS HD, 1X W/ LIGHT PIPES	
0 PLC ± 1 PLC ±0.25 2 PLC ±0.13 3 PLC ± 4 PLC ± ANGLES ±		PRODUCT SPEC: 108-2462	SIZE: CAGE CODE: DRAWING NO: A100779C=2198484	
MATERIAL: -		APPLICATION SPEC: 114-13316	RESTRICTED TO: -	
FINISH: -		WEIGHT: -	SCALE: 6:1 SHEET 3 OF 3 REV 3	
		CUSTOMER DRAWING		