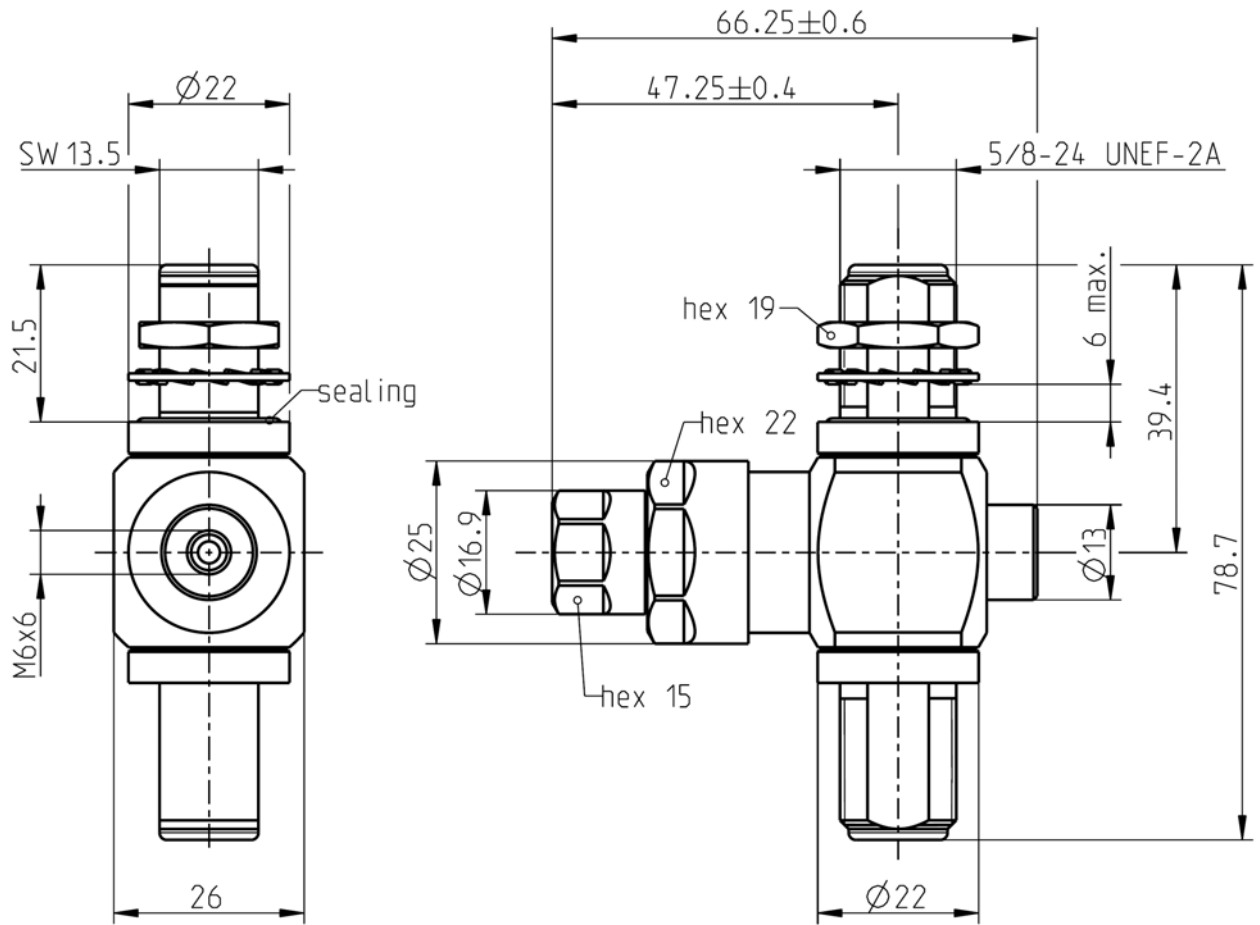


N 50 Ω

Surge Arrester  
Jack – Jack (Fine protection)

**53EK565-K220N1**



All dimensions are in mm; tolerances according to ISO 2768 m-H

**Interface**

According to IEC 60169-16, MIL-PRF-39012, CECC 22210

**Documents**

Panel piercing B 13

**Material and plating**

**Connector parts**

- Center contact
- Outer contact
- Body
- Dielectric
- Gasket
- Gasket

**Material**

- Spring bronze
- Brass
- Brass
- PTFE
- Silicone
- NBR

**Plating**

- Silver, 3-6 μm
- Flash white bronze over silver(e.g. Optargen®)
- Flash white bronze over silver(e.g. Optargen®)

Dieses Dokument ist urheberrechtlich geschützt • This document is protected by copyright • Rosenberger Hochfrequenztechnik GmbH & Co. KG

RF\_35/05.10/6.0

N 50 Ω

Surge Arrester  
Jack – Jack (Fine protection)

**53EK565-K220N1**

**Electrical data**

Impedance	50 Ω
Operating frequency	698 to 2500 MHz
Return Loss	≥ 21 dB, 698 to 800 MHz ≥ 26 dB, 800 to 960 MHz ≥ 24 dB, 960 to 1700 MHz ≥ 26 dB, 1700 to 2200 MHz ≥ 24 dB, 2200 to 2500 MHz ≥ 21 dB, 2500 to 2700 MHz
Insertion loss	≤ 0.1 dB
Center contact resistance	≤ 5 mΩ
Outer contact resistance	≤ 5 mΩ
Power handling	30 W (at 20 °C, sea level, VSWR 1.0)
RF-leakage	≥ 128 dB up to 1 GHz
Intermodulation (3rd order)	≤ -117 dBm @ 2 x 20 W
DC current	2 A
DC voltage	+ 15 V, nom.
Residual voltage	≤ 40 V @ 4 kV 1.2/50 μs, 2 kA 8/20 μs

**Mechanical data**

Mating cycles	min. 500
Coupling nut retention	≥ 450 N
Center contact captivation: axial	≥ 28 N
radial	≥ 3 Ncm
Coupling torque (recommended)	0.7 to 1.1 Nm
Proof torque	max. 1.7 Nm

**Environmental data**

Temperature range	-45°C to +85°C
Thermal shock	MIL-STD-202, Meth. 107, Cond. B
Corrosion	MIL-STD-202, Meth. 101, Cond. B
Vibration	MIL-STD-202, Meth. 204, Cond. B
Shock	MIL-STD-202, Meth. 213, Cond. I
Moisture resistance	MIL-STD-202, Meth. 106
Degree of protection	IEC 60529, IP68 2.5 bar (mated condition)
RoHS	compliant

**Weight**

Weight	231 g/pce
--------	-----------

While the information has been carefully compiled to the best of our knowledge, nothing is intended as representation or warranty on our part and no statement herein shall be construed as recommendation to infringe existing patents. In the effort to improve our products, we reserve the right to make changes judged to be necessary.

Draft	Date	Approved	Date	Rev.	Engineering change number	Name	Date
Gramsamer Josef	25/05/10	Sa. Krautenbacher	18.03.14	300	14-0352	T. Krojer	18.03.14
Rosenberger Hochfrequenztechnik GmbH & Co. KG P.O.Box 1260 D-84526 Tittmoning Germany www.rosenberger.de					Tel. : +49 8684 18-0 Fax : +49 8684 18-499 Email : info@rosenberger.de		Page 2 / 2