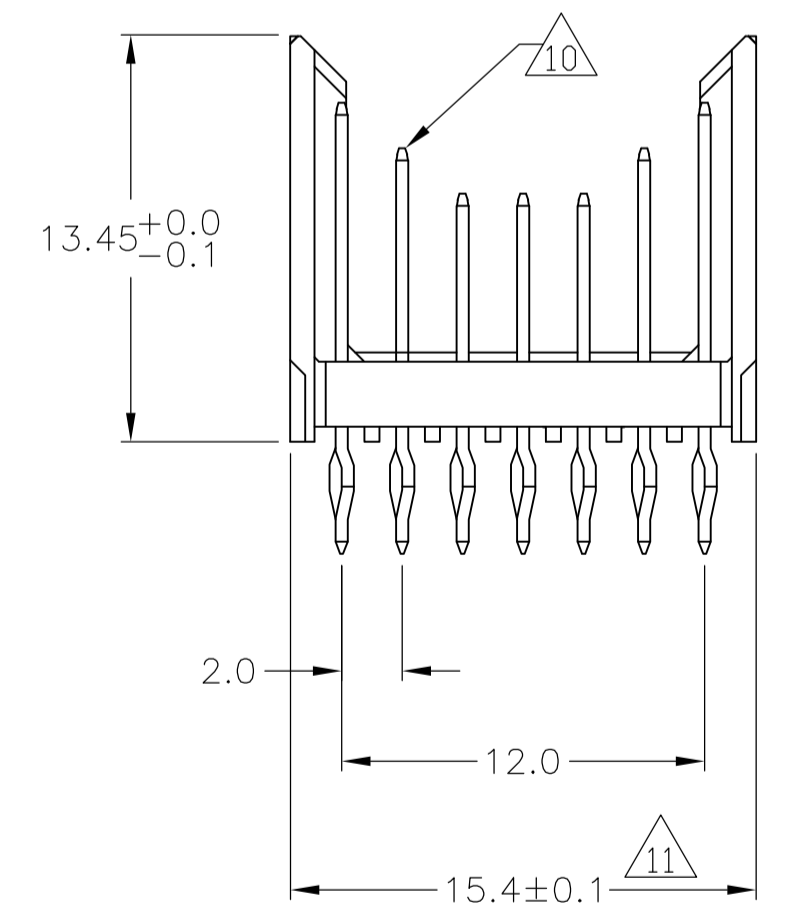
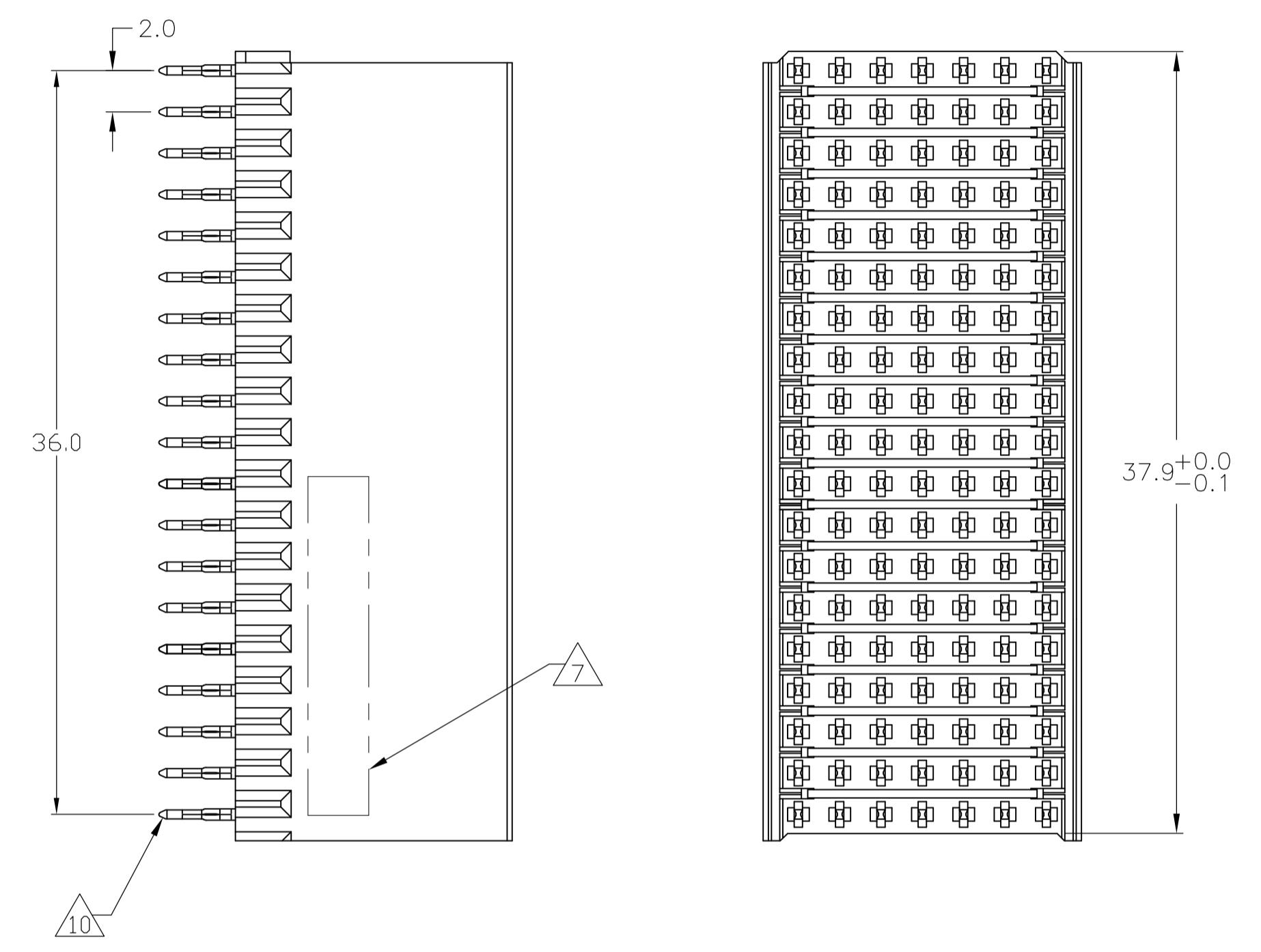
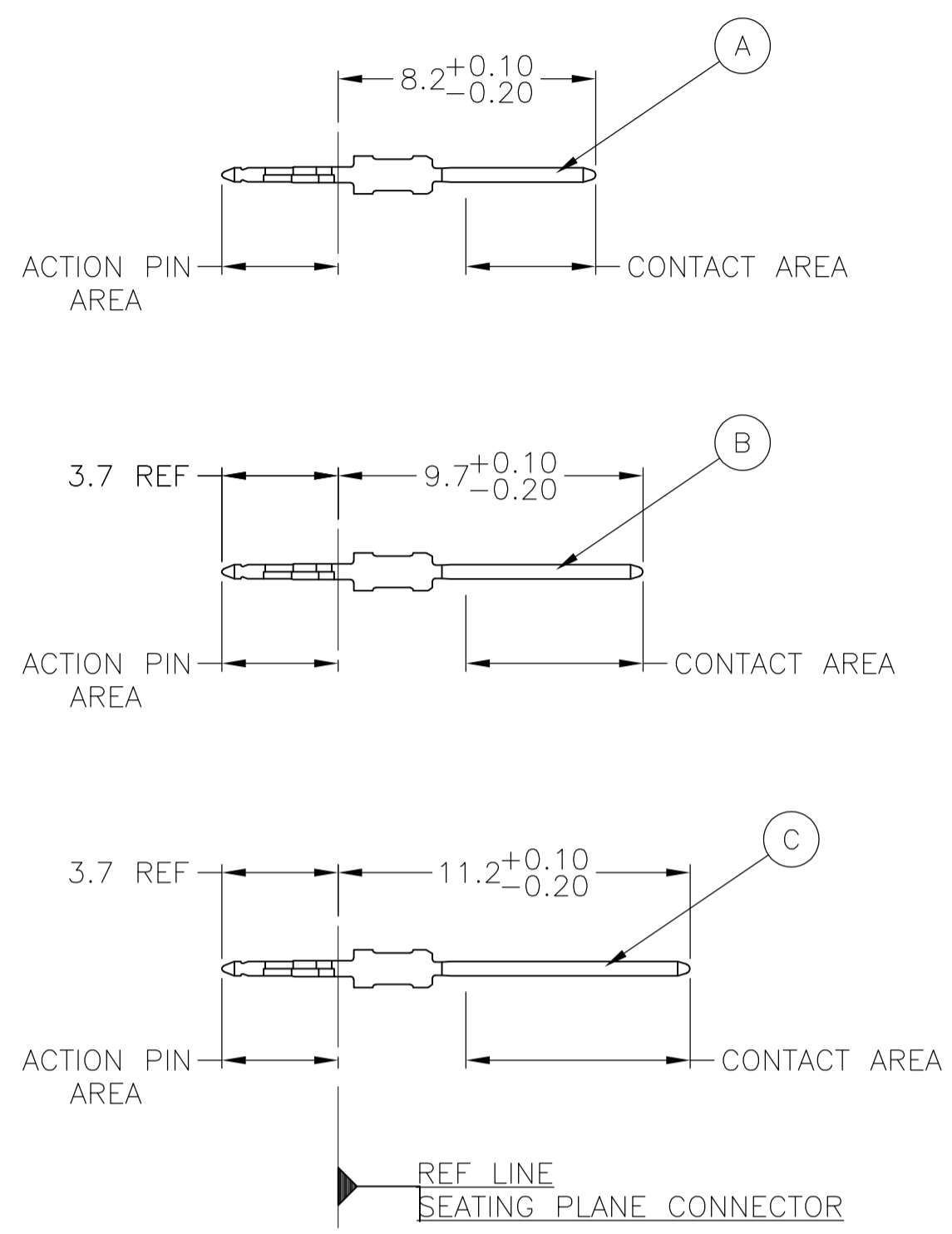


LOC		DIST		REVISIONS			
AD	00	REV	PER	EC	DATE	BY	APPROV
		0	REV	PER	EC	0512-0309-04	24MAY05 BC GS
		A	ECR	-10-019054			15SEP10 DP MQW

CONNECTOR ASSEMBLY EXAMPLARY LOADED



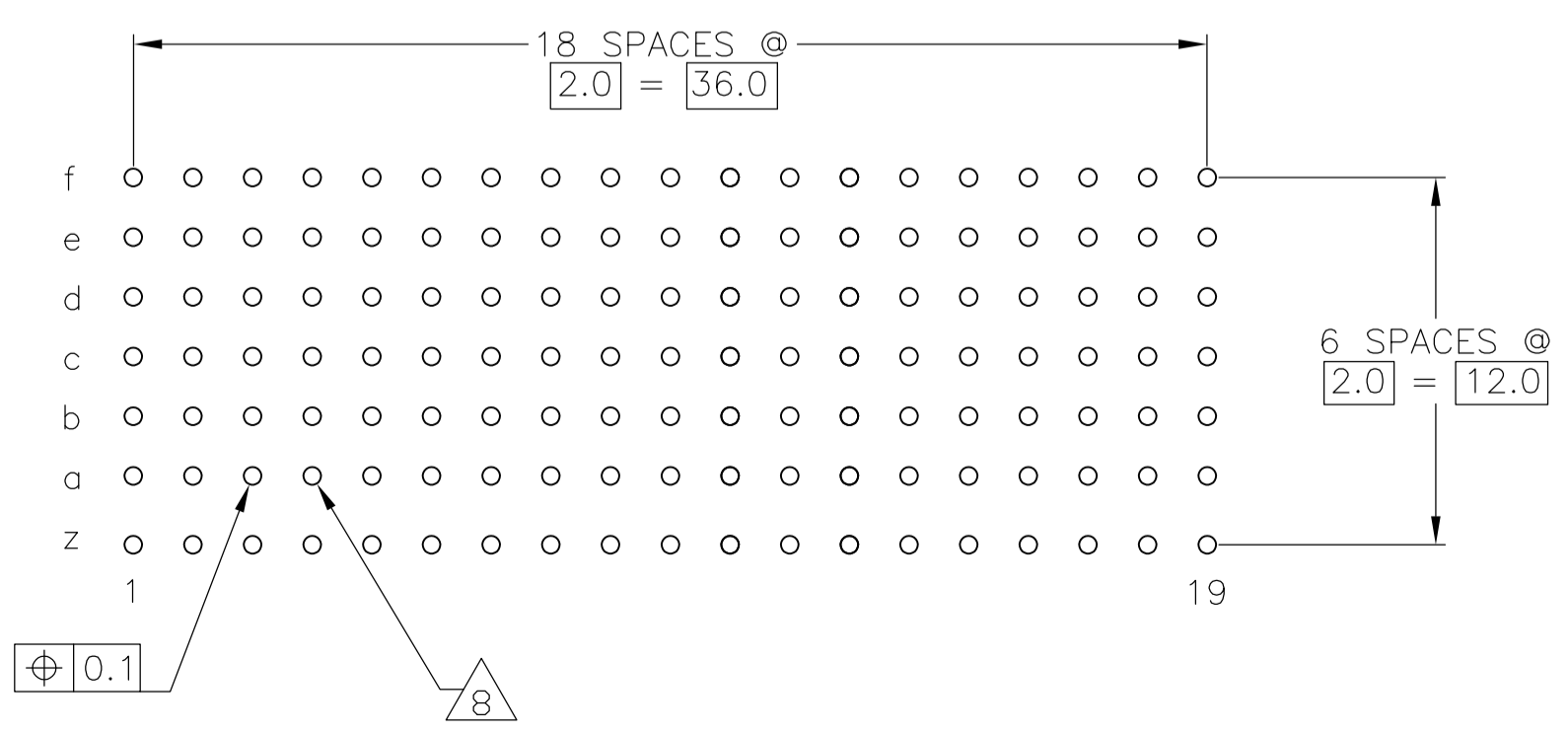
CONTACT DIMENSIONS SCALE 5:1



CONTACT LAYOUT

	z	a	b	c	d	e	f
1	C	B	A	A	A	B	C
2	C	B	A	A	A	B	C
3	C	B	A	A	A	B	C
4	C	B	A	A	A	B	C
5	C	B	A	A	A	B	C
6	C	B	A	A	A	B	C
7	C	B	A	A	A	B	C
8	C	B	A	A	A	B	C
9	C	B	A	A	A	B	C
10	C	B	A	A	A	B	C
11	C	B	A	A	A	B	C
12	C	B	A	A	A	B	C
13	C	B	A	A	A	B	C
14	C	B	A	A	A	B	C
15	C	B	A	A	A	B	C
16	C	B	A	A	A	B	C
17	C	B	A	A	A	B	C
18	C	B	A	A	A	B	C
19	C	B	A	A	A	B	C

RECOMMENDED PCB-HOLE LAYOUT COMPONENT SIDE SHOWN



PLATED THRU HOLES PARAMETERS REFERENCE APPLICATION SPECIFICATION


	6	12	1-6645155-9
	5	12	6645155-9
	4		6645155-4
	3		6645155-1
FINISH		PART NUMBER	

THIS DRAWING IS A CONTROLLED DOCUMENT.

DIMENSIONS: mm	TOLERANCES UNLESS OTHERWISE SPECIFIED:	DIN B CARBO 24MAY05	24MAY05	Tyco Electronics Corporation Harrisburg, Pa 17105-3608
	0-PLC ±	APPROV G SKIPPER 24MAY05	NAME	MALE ASSEMBLY, Z-PACK 2mm HM, TYPE B
	1-PLC ±	108-19082	PRODUCT SPEC	
	2-PLC ±	114-19029	APPLICATION SPEC	
	3-PLC ±			
	4-PLC ±			
	ANGLES			
MATERIAL	FINISH SEE TABLE	WEIGHT	SIZE CASE CODE DRAWING NO	RESTRICTED TO
			A1 00779 C=6645155	
			CUSTOMER DRAWING	SCALE 4:1 SHEET 1 OF 2 REV A

LOC	DIST	REVISIONS					
AD	00	IF	LTR	DESCRIPTION	DATE	DRN	APPRO
		-	-	SEE SHEET 1	-	-	-

- 1 MATERIAL:
CONTACT: PHOSPHOR BRONZE.
HOUSING: GLASS-FILLED POLYESTER.
- 2 GENERAL PLATING SPECIFICATION: UNDERPLATING
(ENTIRE CONTACT): 1.27µm MIN NICKEL AND ACTION
PIN: 0.5µm MIN TIN.
FOR PLATING OF MATING SURFACES SEE APPLICABLE
SPECIFICATION REFERENCE FOR EACH DASH NUMBER.
- 3 CONFORMS TO ALL TESTING ACCORDING TO IEC 61076-4-101
PERFORMANCE LEVEL 2.
- 4 CONFORMS TO ALL TESTING ACCORDING TO IEC 61076-4-101
PERFORMANCE LEVEL 1.
- 5 CONNECTOR TESTED AND QUALIFIED AGAINST TELCORDIA GR-1217-CORE QUALITY LEVEL 3,
CENTRAL OFFICE APPLICATIONS.
- 6 CONNECTOR TESTED AND QUALIFIED AGAINST TELCORDIA GR-1217-CORE QUALITY LEVEL 3,
UNCONTROLLED ENVIROMENT APPLICATIONS.
- 7 CONNECTOR MARKED WITH PART NUMBER AND DATE CODE.
ADDITIONAL CHARACTERS OR MARKINGS, AS WELL AS THE LOCATION OF THE MARKINGS,
MAY BE ADDED FOR TRACEABILITY BASED UPON MANUFACTURERS DISCRETION.
- 8 PLATED-THROUGH HOLES AT 2x2mm SQUARE GRID
PATTERN DEFINED BY CONTACT LAYOUT.
- 9 FOR ACTUAL PIN LOADING SEE "CONTACT LAYOUT".
- 10 FOR ACTUAL PIN DIMENSIONS SEE "CONTACT DIMENSIONS".
- 11 TO BE MEASURED AT BOTTOM OF SHROUD.
- 12 CONNECTOR LUBRICATED WITH BELCORE APPROVED LUBRICANT,
TECHNICAL REFERENCE: TR-NWT-001217 ISSUE 1, SEP 1992.

THIS DRAWING IS A CONTROLLED DOCUMENT.		DRN B CARBO	24MAY05	 Tyco Electronics Corporation Harrisburg, Pa 17105-3608
		CHK G.SKIPPER	24MAY05	
		APRD G.SKIPPER	24MAY05	NAME
		PRODUCT SPEC		
		108-19082		
		APPLICATION SPEC		
		114-19029		
MATERIAL SEE SHEET 1		FINISH SEE SHEET 1	WEIGHT -	RESTRICTED TO -
		SIZE A1		CAGE CODE 00779
		DRAWING NO 6645155		REV A
		CUSTOMER DRAWING		SCALE 4:1
		SHEET 2		OF 2
				REV A