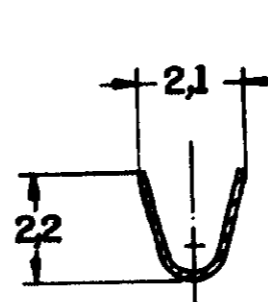
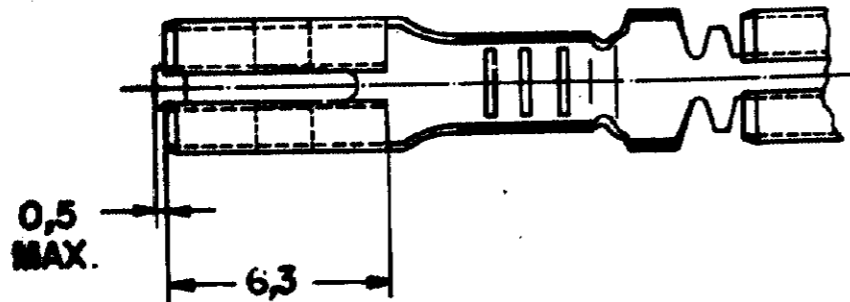
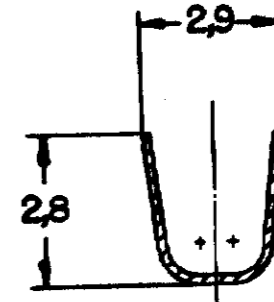


DWG NO.		DO NOT SCALE		METRIC		3rd ANGLE PROJECTION	
		DIMENSIONS IN mm.					
REQ. PER ASSY	ITEM	DESCRIPTION	MATERIAL	FINISH			

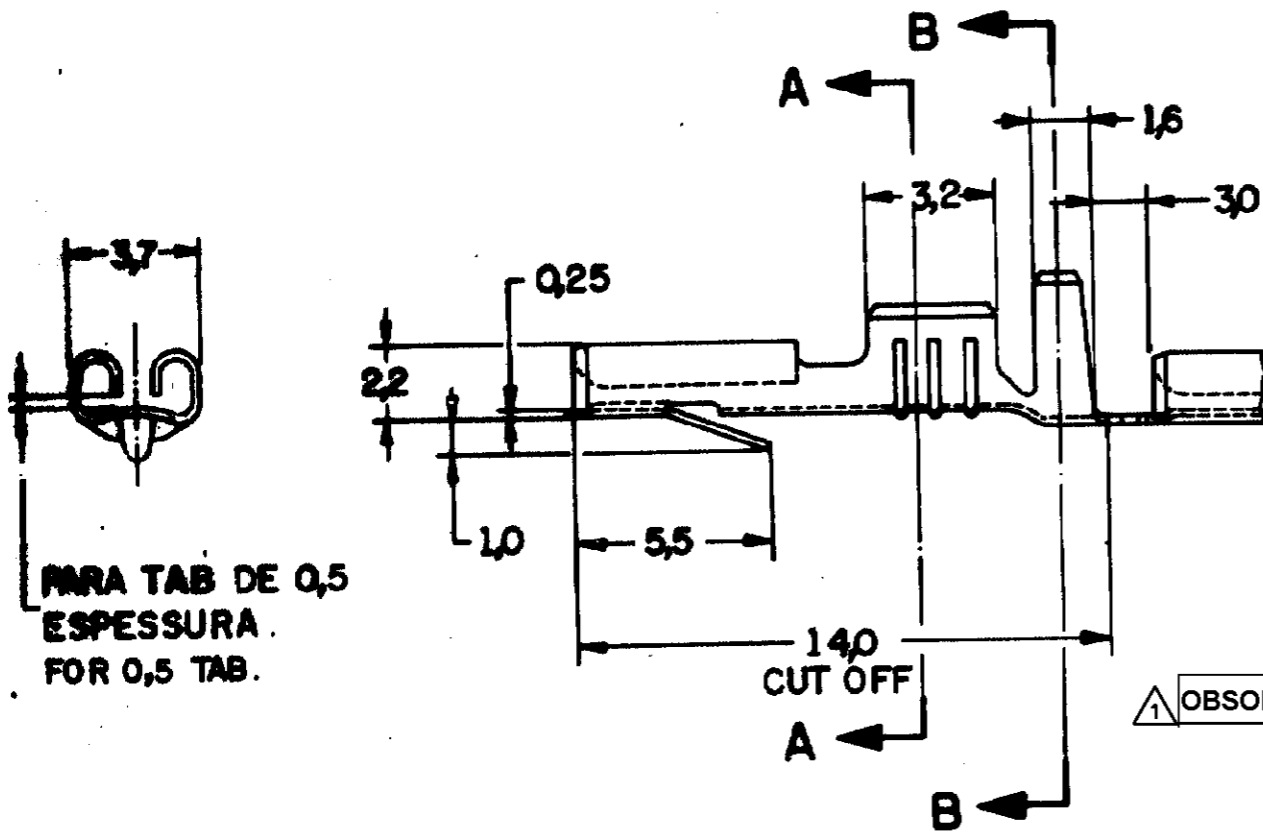


SECCÃO A-A
SECTION



SECCÃO B-B
SECTION

△ OBSOLETE PARTS: OBSOLETE CIS STREAMLINING PER D.RENAUD/D.SINISI



PARA TAB DE 0,5
ESPESSURA.
FOR 0,5 TAB.

881511	-5	PRÉ ESTANHADO	LATÃO	881505	-5
881511	-3	ESTANHADO	BRONZE FOSFOROSO	881505	-3
881511	-1	ESTANHADO	LATÃO	881505	-1
		LOOSE PIECE	FINISH	MATERIAL	PART NUMBER

CUSTOMER DWG
for REFERENCE ONLY

THIS DRAWING IS UNPUBLISHED. RELEASED FOR PUBLICATION BY AMP DO BRASIL LTDA S.P. ALL INTERNATIONAL RIGHTS RESERVED AND PRODUCTS MAY BE COVERED BY U.S. AND FOREIGN PATENTS AND/OR PENDING APPLIC.

TOLERANCES UNLESS OTHERWISE STATED
DEC: ± 0,5
ANGLES ± 1°

INS. DIA. RANGE 1,27 - 2,03mm
WIRE RANGE 0,30 - 0,56mm
SCALE 1/1

AMP AMP do BRASIL LTDA
São Paulo, Brasil

DESCRIPTION: .110 SERIES RECEPTACLE
FASTIN - FASTON

DR. N.C. LAPRESA
02 - JUL - 93

CHK. J.R. K. 20 - JUL - 93

REVISION RECORD

NO.	REVISION	RECORD	ECH	DR.	DATE	APP.
E1	REVISED PER ECO-09-026444			KK/AEG	28 NOV 09	
	REDRAWN WITH CHANGES					

A3 C 881505 SHEET 1 OF 1