

REVISIONS				
REV.	ECN/E-R	DESCRIPTION	DATE	APPROVED
A		PROPOSAL	JUL22/09	



MATERIAL:

CAGE:  
COPPER ALLOY

PLATING OPTION Y=2:  
2.54um MIN. NICKEL

PLATING OPTION Y=3:  
3.81um MIN. MATTE TIN  
OVER 1.27um MIN. NICKEL.

LIGHT PIPE:  
CLEAR POLYCARBONATE

BRACKET FOR LIGHT PIPE:  
STAINLESS STEEL

PACKAGING:  
TRAY PACKAGING

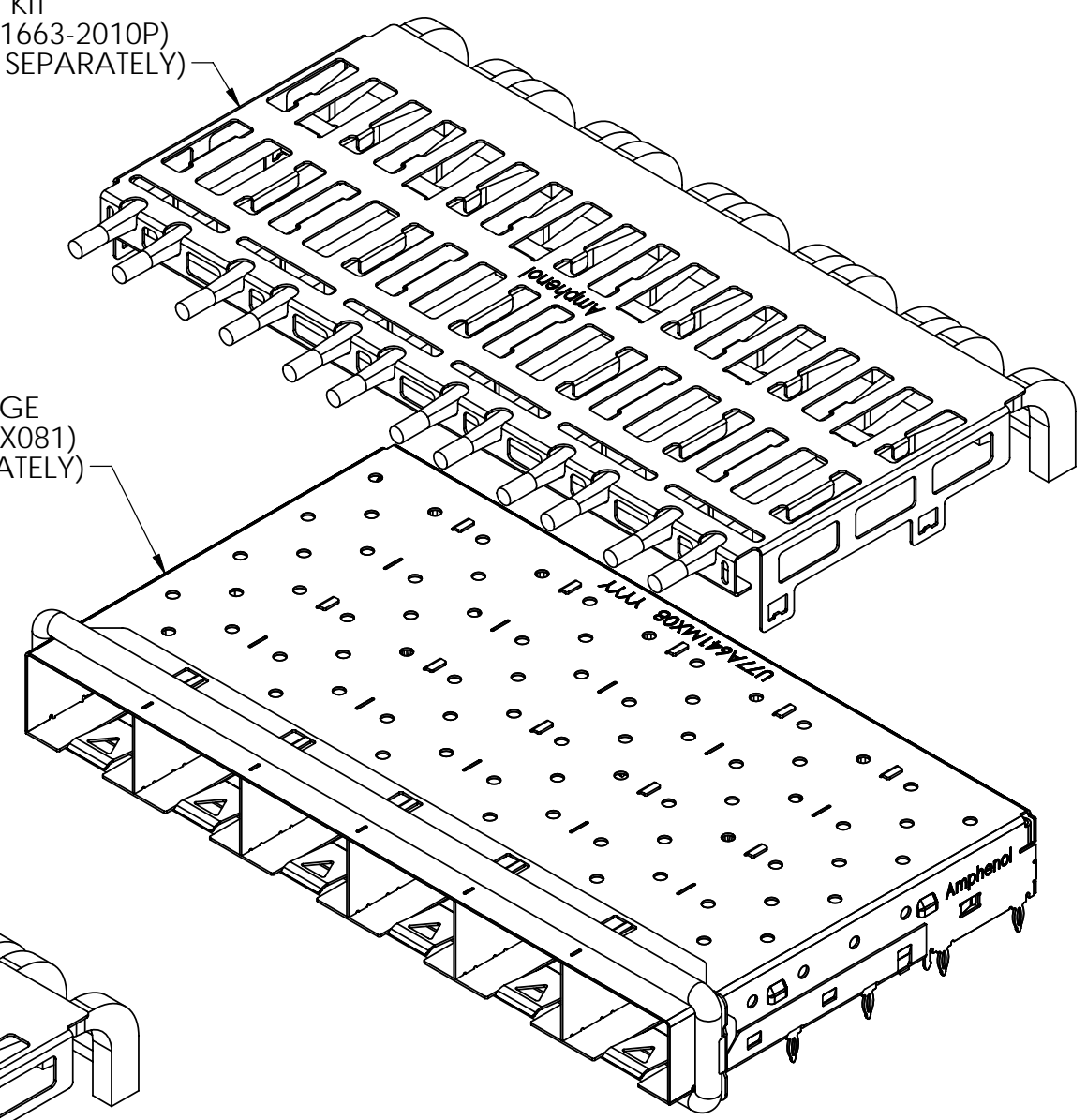
TEMPERATURE RANGE:  
-40C TO +85C

LIGHT PIPE KIT  
(P/N: U77-1663-2010P)  
(IF ORDER SEPARATELY)

SFP+PRESS FIT CAGE  
(P/N U77-A641M-X081)  
(IF ORDER SEPARATELY)

LIGHT PIPE KIT  
(P/N: U77-1263-2010P)  
(IF ORDER SEPARATELY)

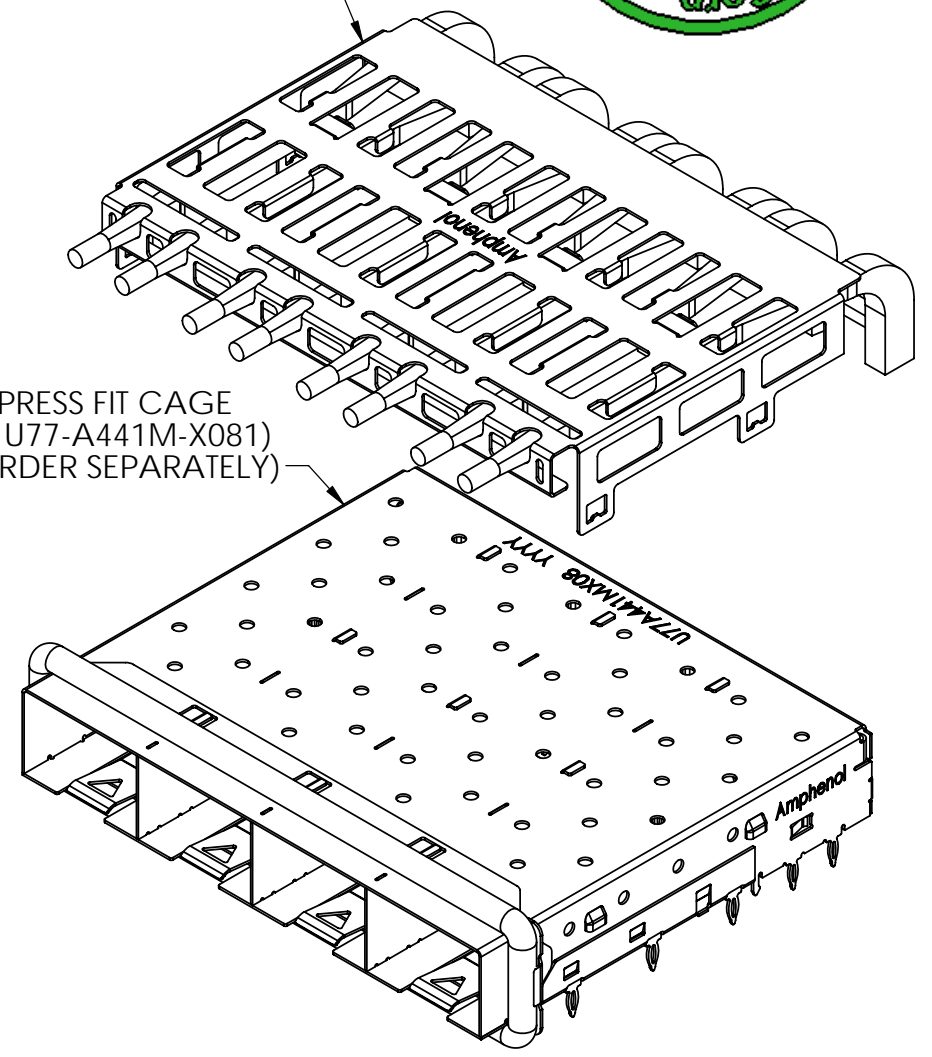
SFP+PRESS FIT CAGE  
(P/N U77-A241M-X081)  
(IF ORDER SEPARATELY)



**P/N: U77-C441M-X081 SHOWN**

LIGHT PIPE KIT  
(P/N: U77-1463-2010P)  
(IF ORDER SEPARATELY)

SFP+PRESS FIT CAGE  
(P/N U77-A441M-X081)  
(IF ORDER SEPARATELY)



**P/N: U77-C241M-X081 SHOWN**

**AMPHENOL PART NUMBER CONFIGURATION**

U77 - C X 4 1 M - X 0 8 1

**PACKAGING**  
1 = TRAY PACKAGING

**PLATING**  
2 = NICKEL PLATING  
3 = MATTE TIN PLATING

**NUMBER OF PORTS**  
2 = 2 PORTS  
4 = 4 PORTS  
6 = 6 PORTS

**P/N: U77-C241M-X081 SHOWN**

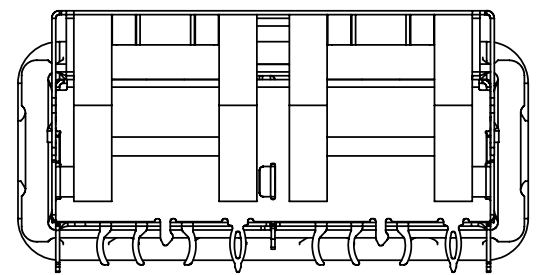
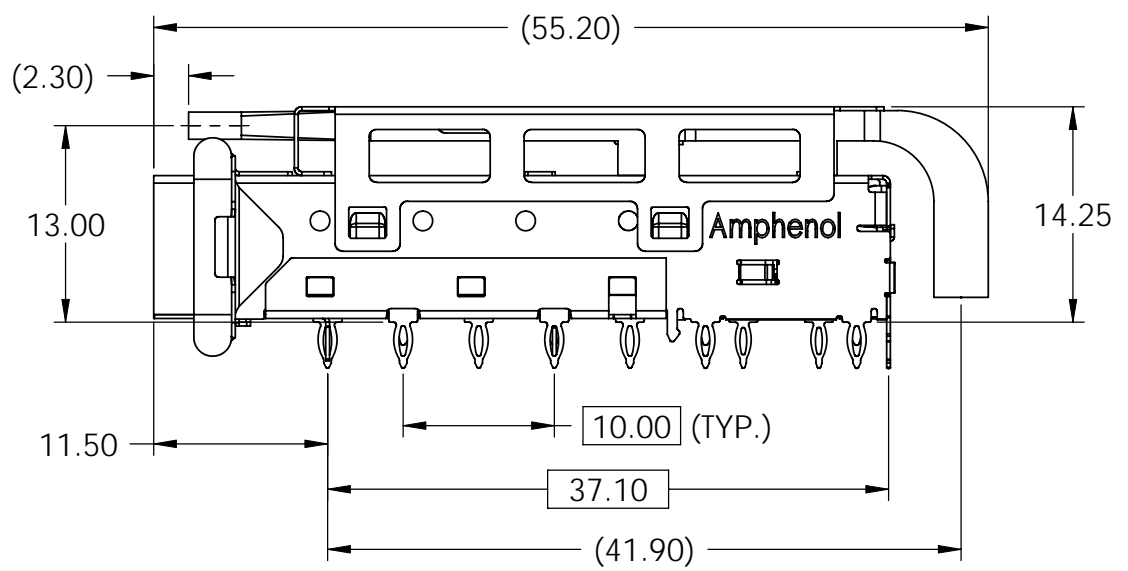
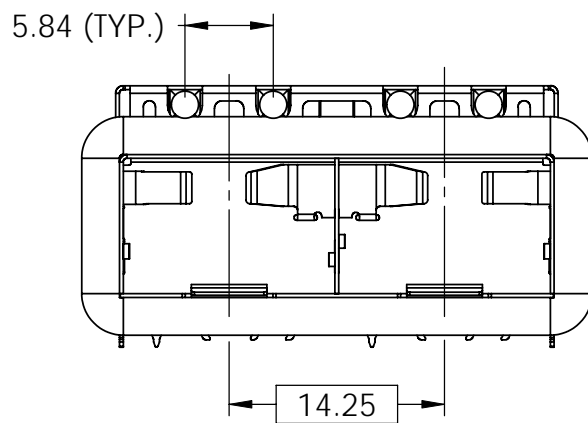
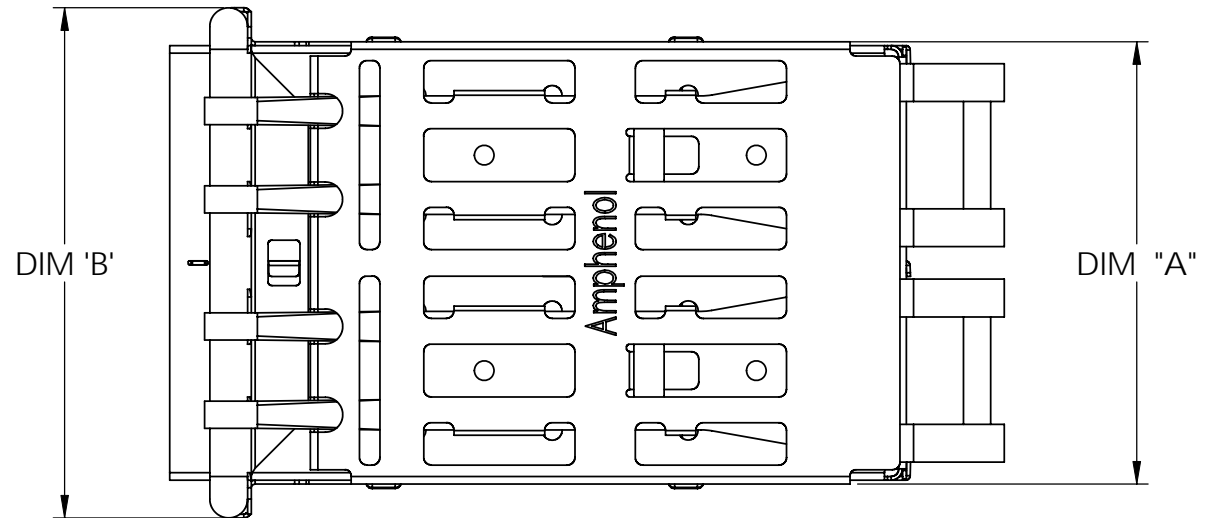
**DO NOT SCALE DRAWING**

THIS DOCUMENT CONTAINS PROPRIETARY INFORMATION AND SUCH INFORMATION MAY NOT BE DISCLOSED TO OTHERS FOR ANY PURPOSE OR USED FOR MANUFACTURING PURPOSES WITHOUT PERMISSION FROM AMPHENOL CANADA CORP.

UNLESS OTHERWISE SPECIFIED DIMENSIONS ARE IN MILLIMETERS TOLERANCES ARE:		<b>APPROVALS</b>		<b>DATE</b>	<b>Amphenol Canada Corp.</b>	
DECIMALS X.X ± 0.38 X.XX ± 0.25	ANGLES ± 1°	DRAWN J.SI		JUL21/09	TITLE	
MATERIAL AND FINISH SEE NOTE 1		DESIGNED			1XN SFP+ CAGE ELASTOMER EMI GASKET, WITH LIGHT PIPE	
REF.		CHECKED			SIZE A3	DWG. NO P-U77-CX41M-X081
CODE IDENT. NO. 03554		QA APPD			REV. A	
		IE APPD			SCALE 3:2	PROJECT
		DWG APPD				SHEET 1 OF 11

PART NUMBER	DIM"A"	DIM"B"
U77-C261M-X081	29.25	33.75
U77-C461M-X081	57.75	62.25
U77-C661M-X081	86.25	90.75

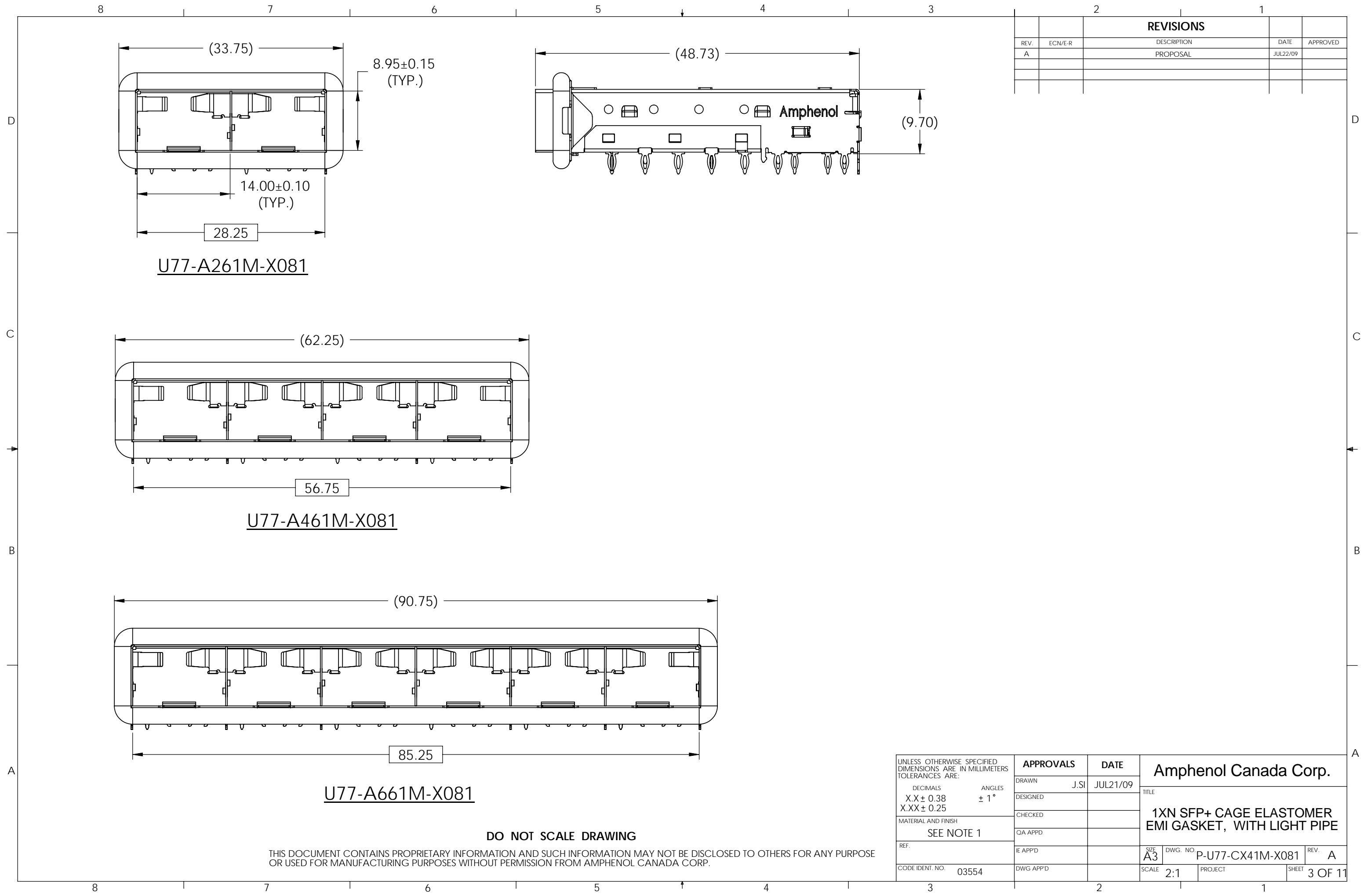
REVISIONS				
REV.	ECN/E-R	DESCRIPTION	DATE	APPROVED
A		PROPOSAL	JUL22/09	



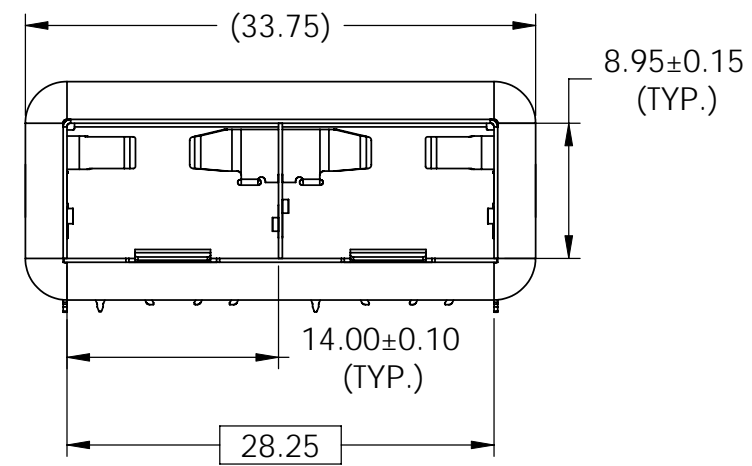
**DO NOT SCALE DRAWING**

THIS DOCUMENT CONTAINS PROPRIETARY INFORMATION AND SUCH INFORMATION MAY NOT BE DISCLOSED TO OTHERS FOR ANY PURPOSE OR USED FOR MANUFACTURING PURPOSES WITHOUT PERMISSION FROM AMPHENOL CANADA CORP.

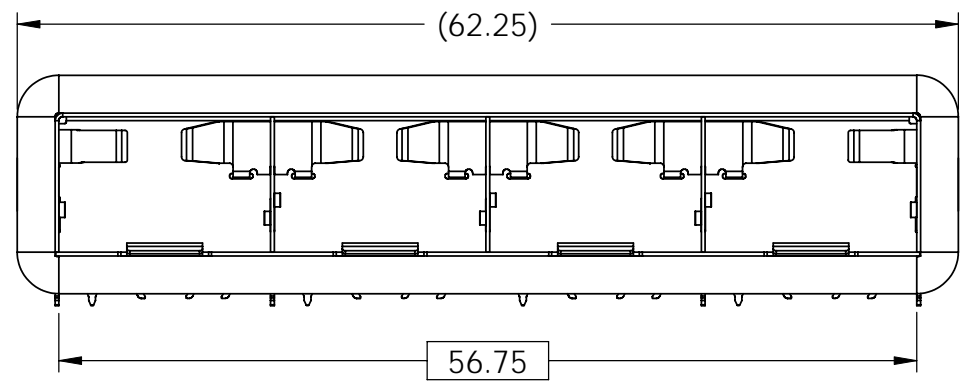
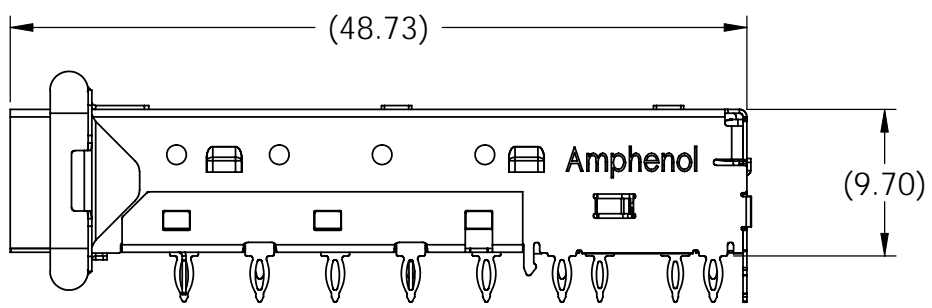
UNLESS OTHERWISE SPECIFIED DIMENSIONS ARE IN MILLIMETERS TOLERANCES ARE: DECIMALS            ANGLES X.X ± 0.38            ± 1° X.XX ± 0.25	<b>APPROVALS</b>	<b>DATE</b>	<b>Amphenol Canada Corp.</b>	
	DRAWN J.SI	JUL21/09		
	DESIGNED		<b>1XN SFP+ CAGE ELASTOMER EMI GASKET, WITH LIGHT PIPE</b>	
	CHECKED			
MATERIAL AND FINISH SEE NOTE 1	QA APPD		SIZE A3	DWG. NO P-U77-CX41M-X081
REF.	IE APPD		SCALE 1:1	PROJECT
CODE IDENT. NO. 03554	DWG APPD		SHEET 2 OF 11	REV. A



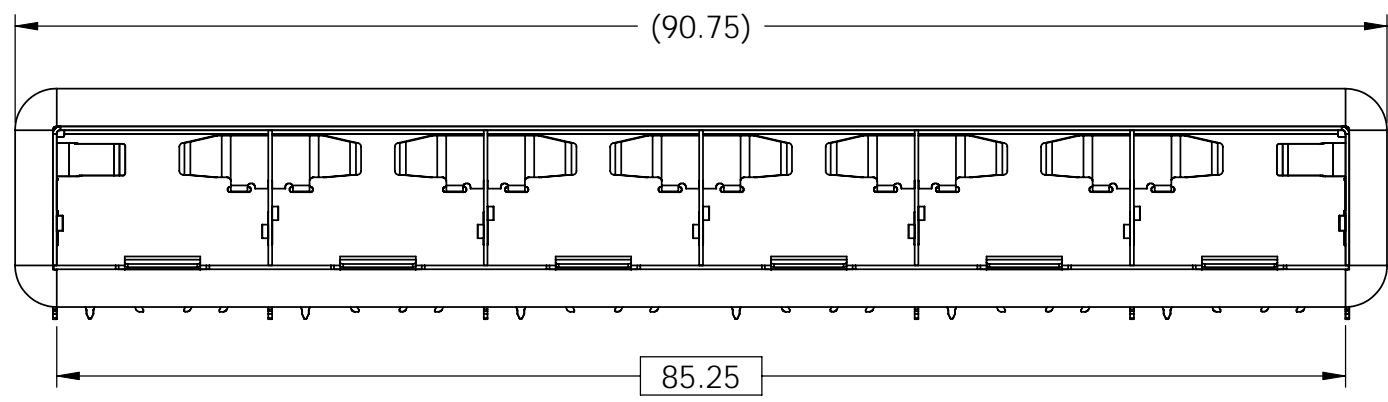
REVISIONS				
REV.	ECN/E-R	DESCRIPTION	DATE	APPROVED
A		PROPOSAL	JUL22/09	



U77-A261M-X081



U77-A461M-X081



U77-A661M-X081

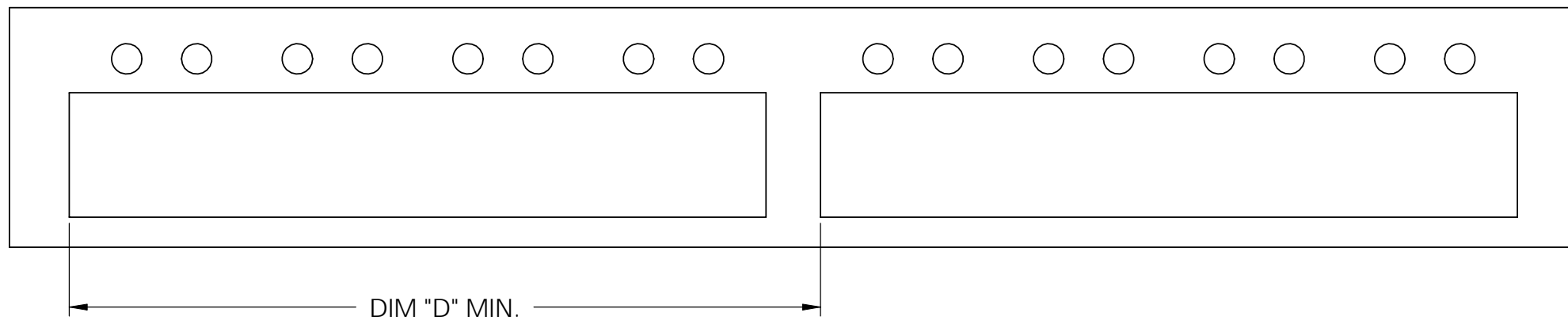
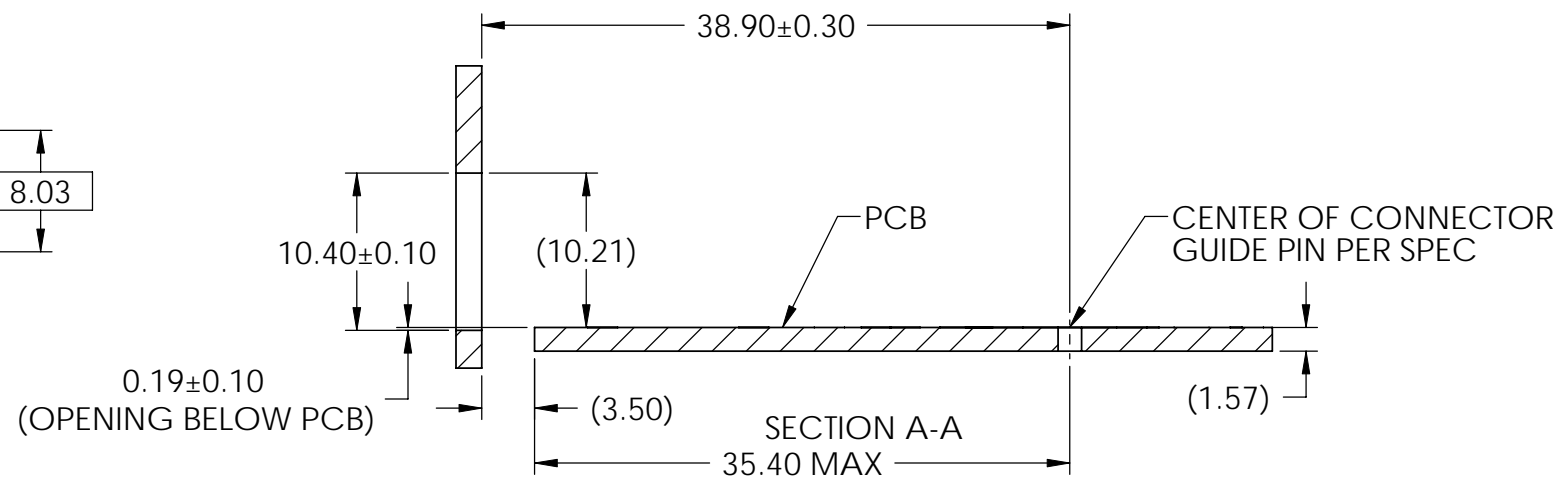
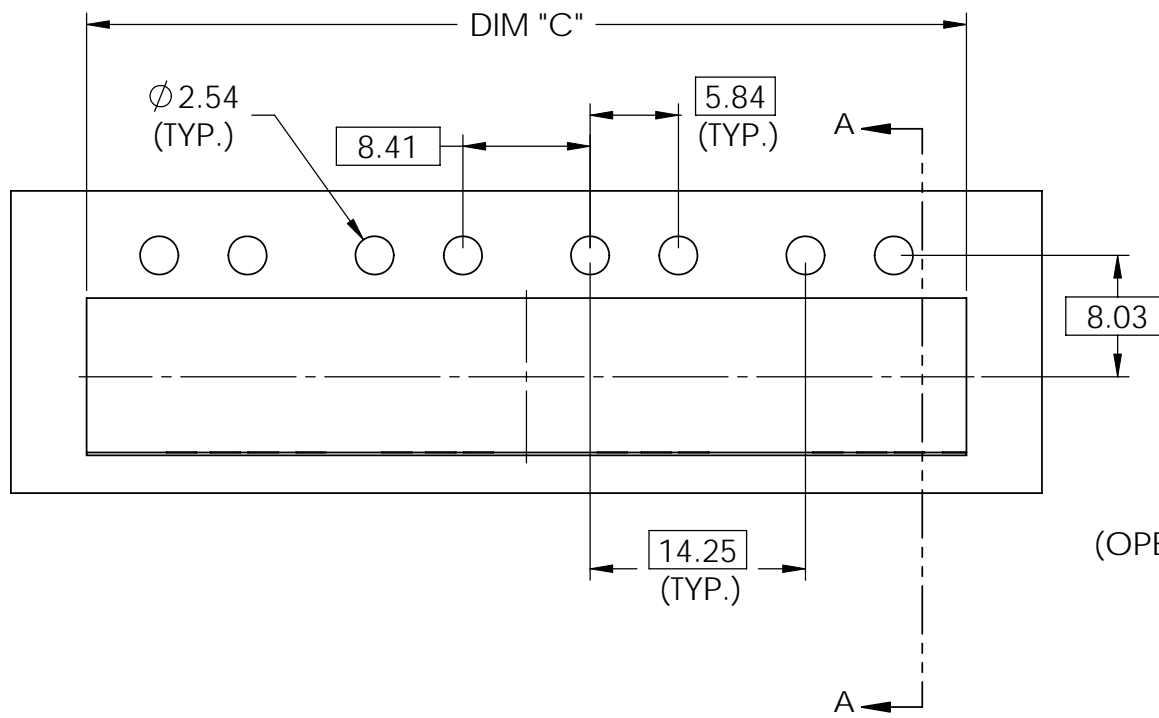
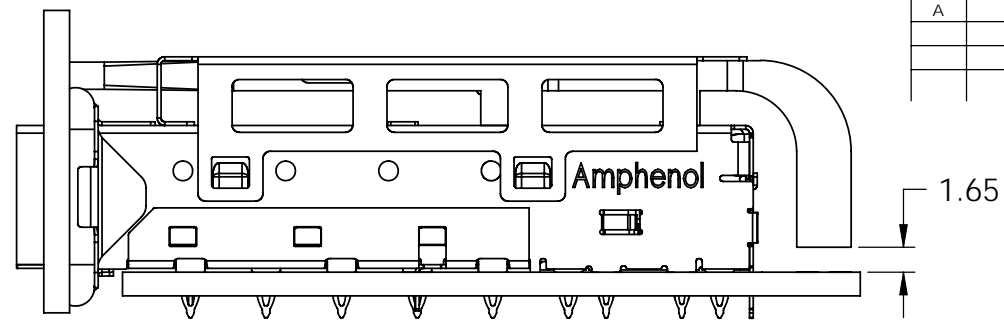
**DO NOT SCALE DRAWING**

THIS DOCUMENT CONTAINS PROPRIETARY INFORMATION AND SUCH INFORMATION MAY NOT BE DISCLOSED TO OTHERS FOR ANY PURPOSE OR USED FOR MANUFACTURING PURPOSES WITHOUT PERMISSION FROM AMPHENOL CANADA CORP.

UNLESS OTHERWISE SPECIFIED DIMENSIONS ARE IN MILLIMETERS TOLERANCES ARE: DECIMALS      ANGLES X.X ± 0.38      ± 1° X.XX ± 0.25	<b>APPROVALS</b>	<b>DATE</b>	<b>Amphenol Canada Corp.</b>	
	DRAWN      J.SI	JUL21/09		
	DESIGNED		<b>1XN SFP+ CAGE ELASTOMER EMI GASKET, WITH LIGHT PIPE</b>	
	CHECKED			
MATERIAL AND FINISH SEE NOTE 1	QA APPD		SIZE A3	DWG. NO P-U77-CX41M-X081
REF.	IE APPD		SCALE 2:1	PROJECT
CODE IDENT. NO. 03554	DWG APPD		SHEET 3 OF 11	REV. A

PART NUMBER	DIM "C"	DIM "D"
U77-C241M-X081	29.70	34.25
U77-C441M-X081	58.20	62.75
U77-C641M-X081	86.70	91.25

REVISIONS				
REV.	ECN/E-R	DESCRIPTION	DATE	APPROVED
A		PROPOSAL	JUL22/09	



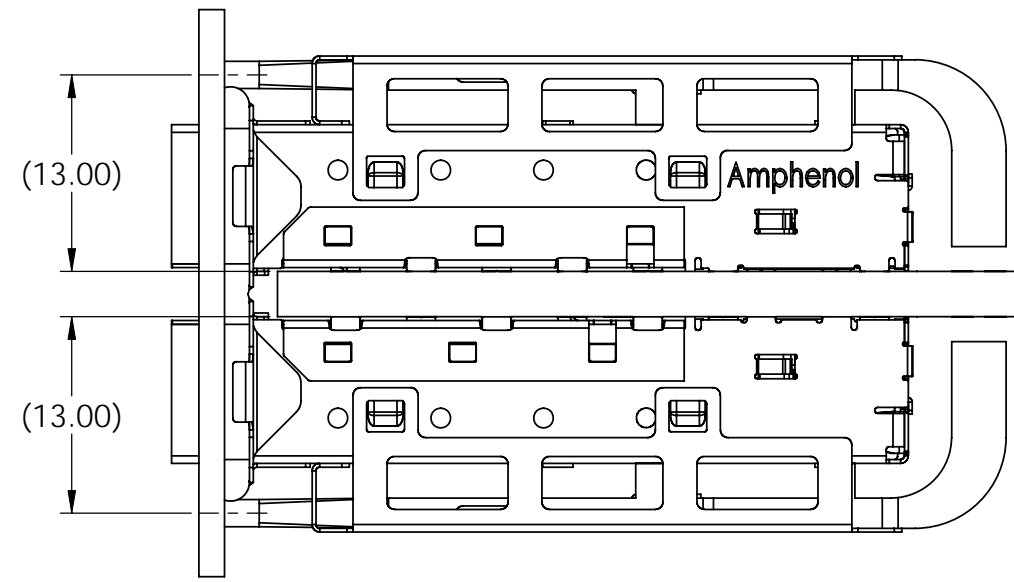
UNLESS OTHERWISE SPECIFIED DIMENSIONS ARE IN MILLIMETERS TOLERANCES ARE:		APPROVALS		DATE	Amphenol Canada Corp.	
DECIMALS	ANGLES	DRAWN	J.SI	JUL21/09	TITLE	
X.X ± 0.38	± 1°	DESIGNED			1XN SFP+ CAGE ELASTOMER EMI GASKET, WITH LIGHT PIPE	
X.XX ± 0.25		CHECKED				
MATERIAL AND FINISH		QA APPD				
SEE NOTE 1		IE APPD				
REF.		DWG APPD			SIZE A3	DWG. NO. P-U77-CX41M-X081
CODE IDENT. NO.	03554				SCALE 2:1	PROJECT
						SHEET 4 OF 11

**DO NOT SCALE DRAWING**

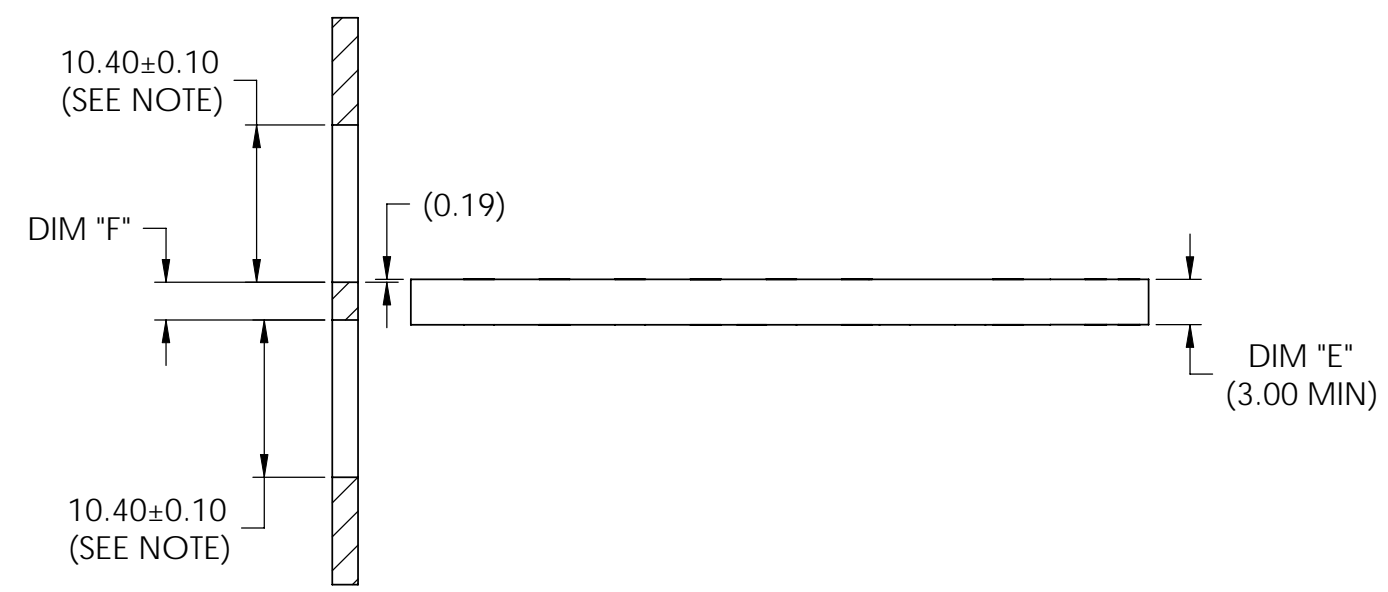
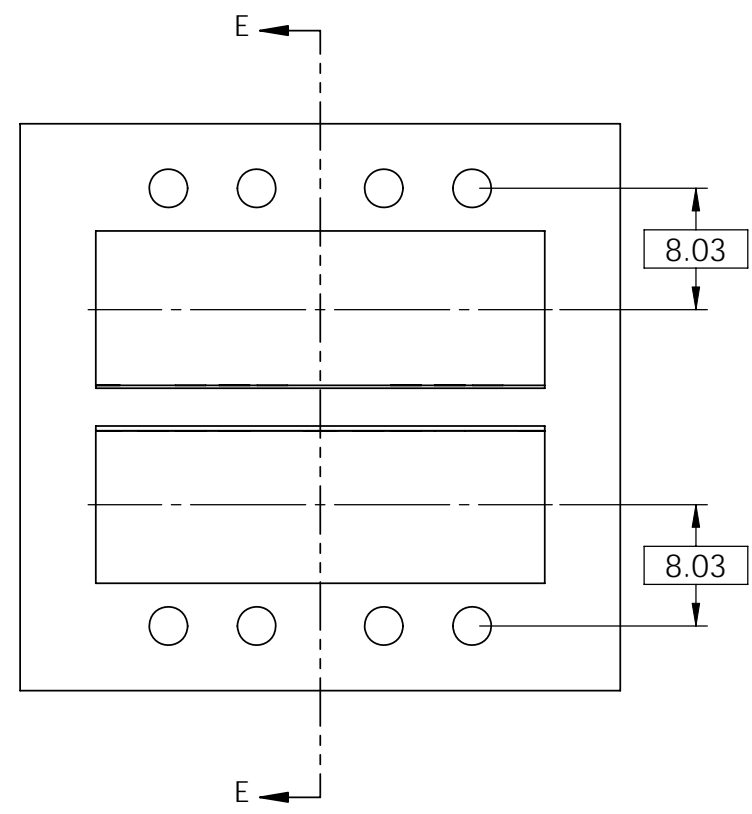
THIS DOCUMENT CONTAINS PROPRIETARY INFORMATION AND SUCH INFORMATION MAY NOT BE DISCLOSED TO OTHERS FOR ANY PURPOSE OR USED FOR MANUFACTURING PURPOSES WITHOUT PERMISSION FROM AMPHENOL CANADA CORP.

REVISIONS				
REV.	ECN/E-R	DESCRIPTION	DATE	APPROVED
A		PROPOSAL	JUL22/09	

D  
C  
B  
A



NOTE:  
 PANEL CUTOUT SIZES PER SFF 8433 SPEC. FOR BELLY TO BELLY MOUNTING, DIM "E" (PCB THICKNESS) IS 3.0 mm MIN. DIM "F" RELATED TO DIM "E". FOR DIM "F" = DIM "E" - 0.44 mm. THE PANEL CUTOUT 10.40 mm MIGHT BE INCREASED UP TO 10.80 mm IN ORDER TO ACCOMMODATE PCB TOLERANCE.



SECTION E-E

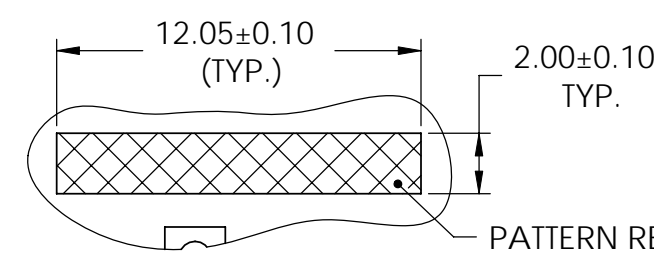
**DO NOT SCALE DRAWING**

THIS DOCUMENT CONTAINS PROPRIETARY INFORMATION AND SUCH INFORMATION MAY NOT BE DISCLOSED TO OTHERS FOR ANY PURPOSE OR USED FOR MANUFACTURING PURPOSES WITHOUT PERMISSION FROM AMPHENOL CANADA CORP.

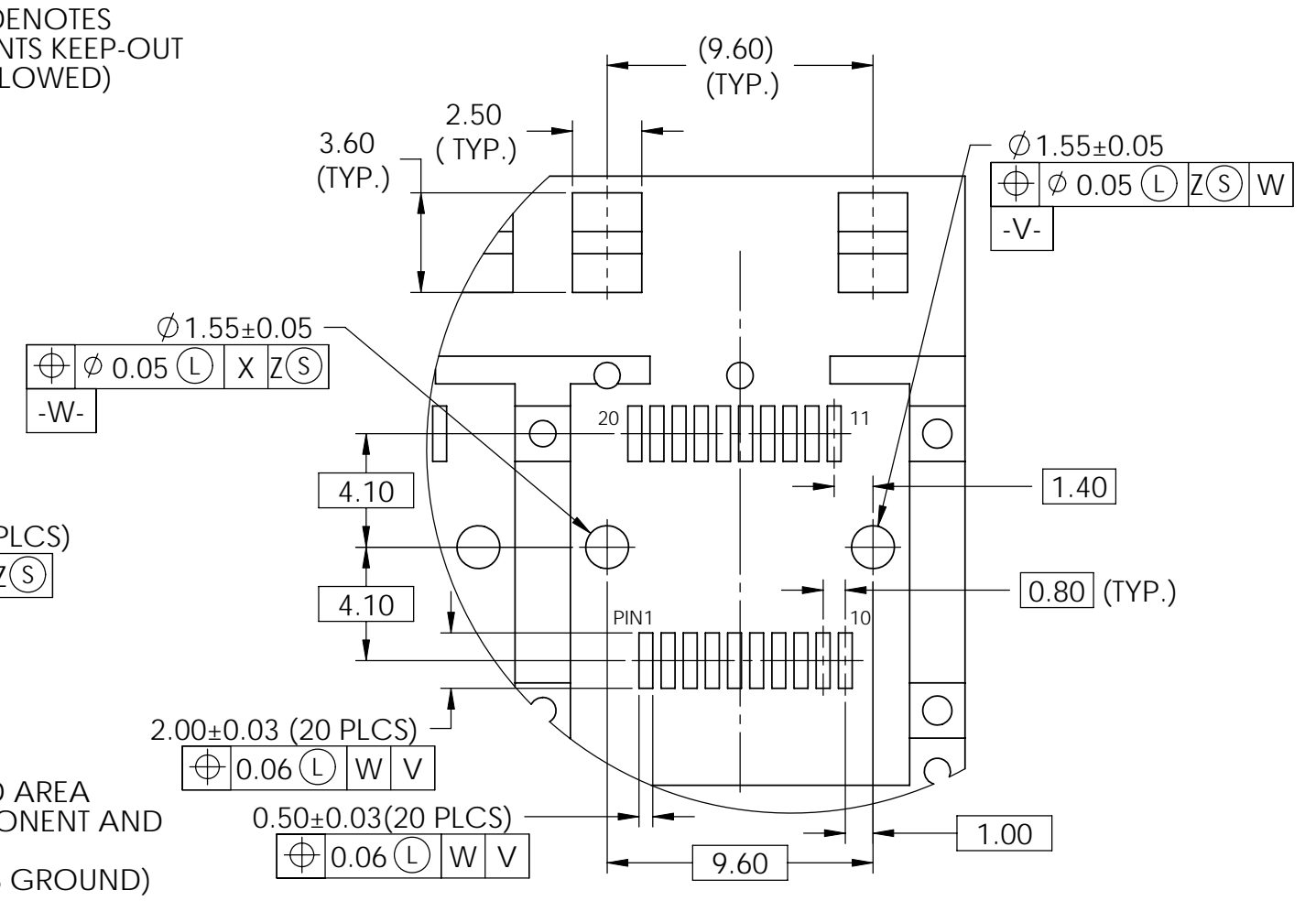
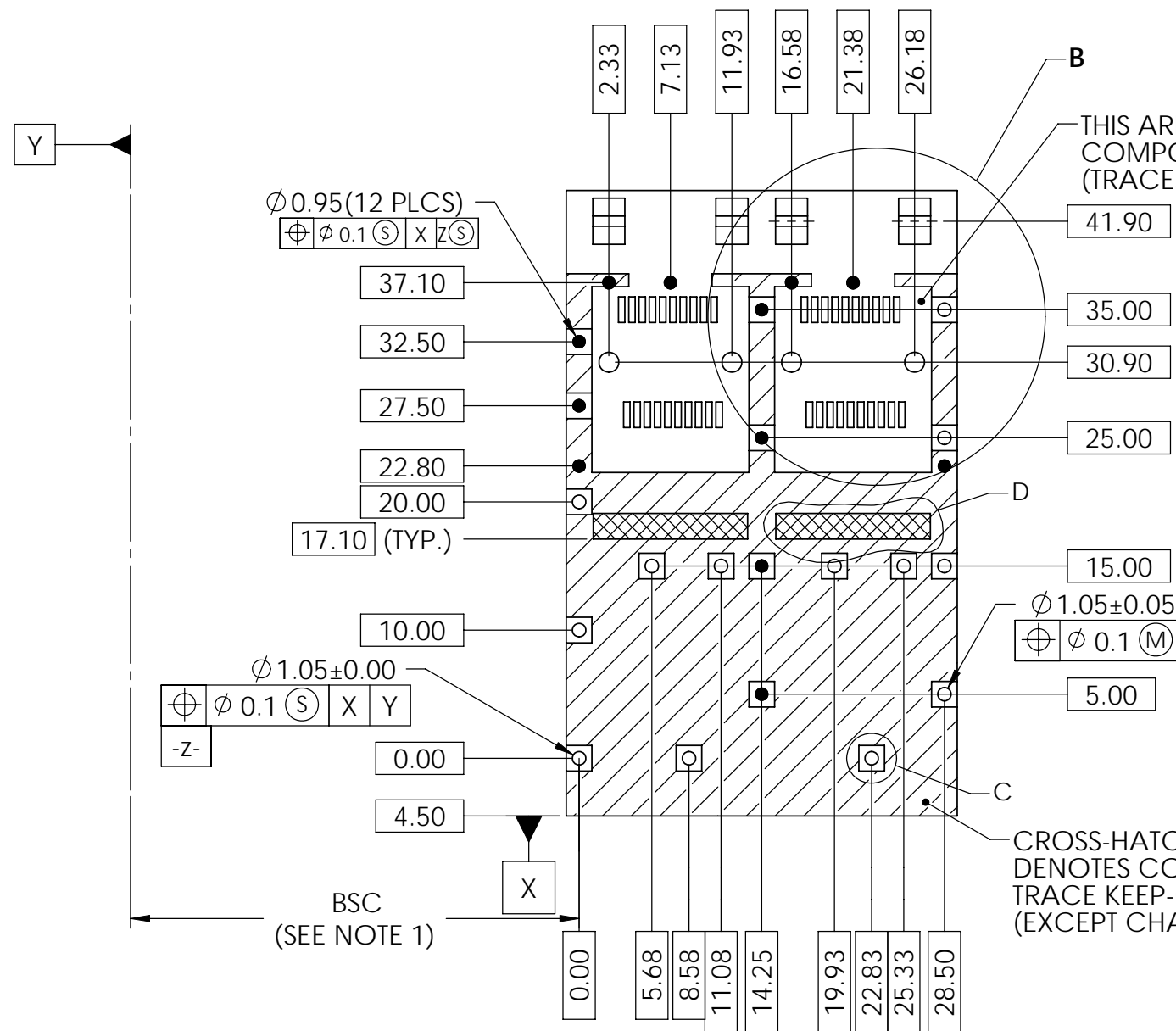
UNLESS OTHERWISE SPECIFIED DIMENSIONS ARE IN MILLIMETERS TOLERANCES ARE: DECIMALS      ANGLES X.X ± 0.38      ± 1° X.XX ± 0.25	<b>APPROVALS</b>	<b>DATE</b>	<b>Amphenol Canada Corp.</b>		
	DRAWN J.SI	JUL21/09			TITLE
	DESIGNED		1XN SFP+ CAGE ELASTOMER EMI GASKET, WITH LIGHT PIPE		
	CHECKED				SIZE A3
MATERIAL AND FINISH SEE NOTE 1	QA APPD		SCALE 2:1	PROJECT	SHEET 5 OF 11
REF.	IE APPD				
CODE IDENT. NO. 03554	DWG APPD				

- NOTES:  
 1. DATUM AND BASIC DIMENSIONS ESTABLISHED BY CUSTOMER.  
 2. PADS AND VIAS ARE CHASSIS GROUND.  
 3. THRU-HOLES, PLATING OPTIONAL.  
 4. SEE DRAWINGS P-UX76-A20-X00XX FOR CONNECTOR LAYOUT.

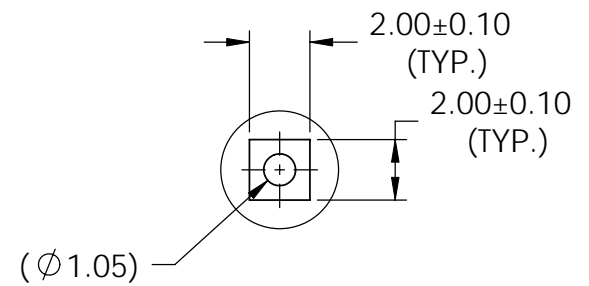
REVISIONS				
REV.	ECN/E-R	DESCRIPTION	DATE	APPROVED
A		PROPOSAL	JUL22/09	



DETAIL D  
SCALE 4 : 1



DETAIL B  
SCALE 4 : 1



DETAIL C  
SCALE 4 : 1

**RECOMMENDED PCB DESIGN  
FOR SINGLE SIDE MOUNTING  
(P/N U77-C261M-X081)**

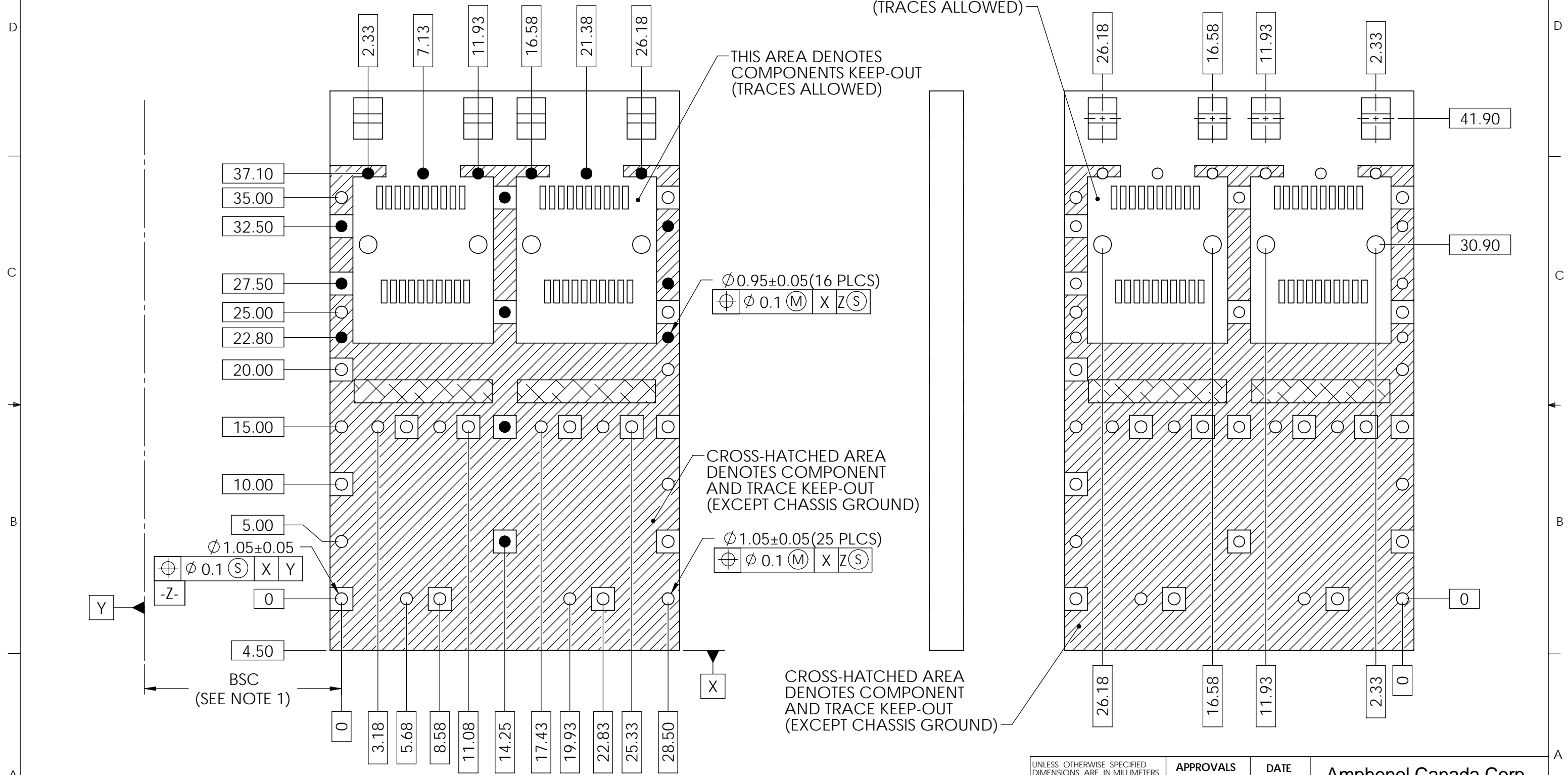
DO NOT SCALE DRAWING

THIS DOCUMENT CONTAINS PROPRIETARY INFORMATION AND SUCH INFORMATION MAY NOT BE DISCLOSED TO OTHERS FOR ANY PURPOSE OR USED FOR MANUFACTURING PURPOSES WITHOUT PERMISSION FROM AMPHENOL CANADA CORP.

UNLESS OTHERWISE SPECIFIED DIMENSIONS ARE IN MILLIMETERS TOLERANCES ARE:  DECIMALS      ANGLES X.X ± 0.38      ± 1° X.XX ± 0.25	APPROVALS	DATE	Amphenol Canada Corp.  TITLE <b>1XN SFP+ CAGE ELASTOMER EMI GASKET, WITH LIGHT PIPE</b>
	DRAWN J.SI	JUL21/09	
	DESIGNED		
	CHECKED		
MATERIAL AND FINISH SEE NOTE 1	QA APPD		SIZE A3
REF.	IE APPD		DWG. NO. P-U77-CX41M-X081
CODE IDENT. NO. 03554	DWG APPD		SCALE 2:1
			PROJECT
			SHEET 6 OF 11

- NOTES:  
 1. DATUM AND BASIC DIMENSIONS ESTABLISHED BY CUSTOMER.  
 2. PADS AND VIAS ARE CHASSIS GROUND.  
 3. THRU-HOLES, PLATING OPTIONAL.  
 4. SEE DRAWINGS P-UX76-A20-X00XX FOR CONNECTOR LAYOUT.

REVISIONS				
REV.	ECN/E-R	DESCRIPTION	DATE	APPROVED
A		PROPOSAL	JUL22/09	



**RECOMMENDED PCB DESIGN FOR BELLY TO BELLY MOUNTING**

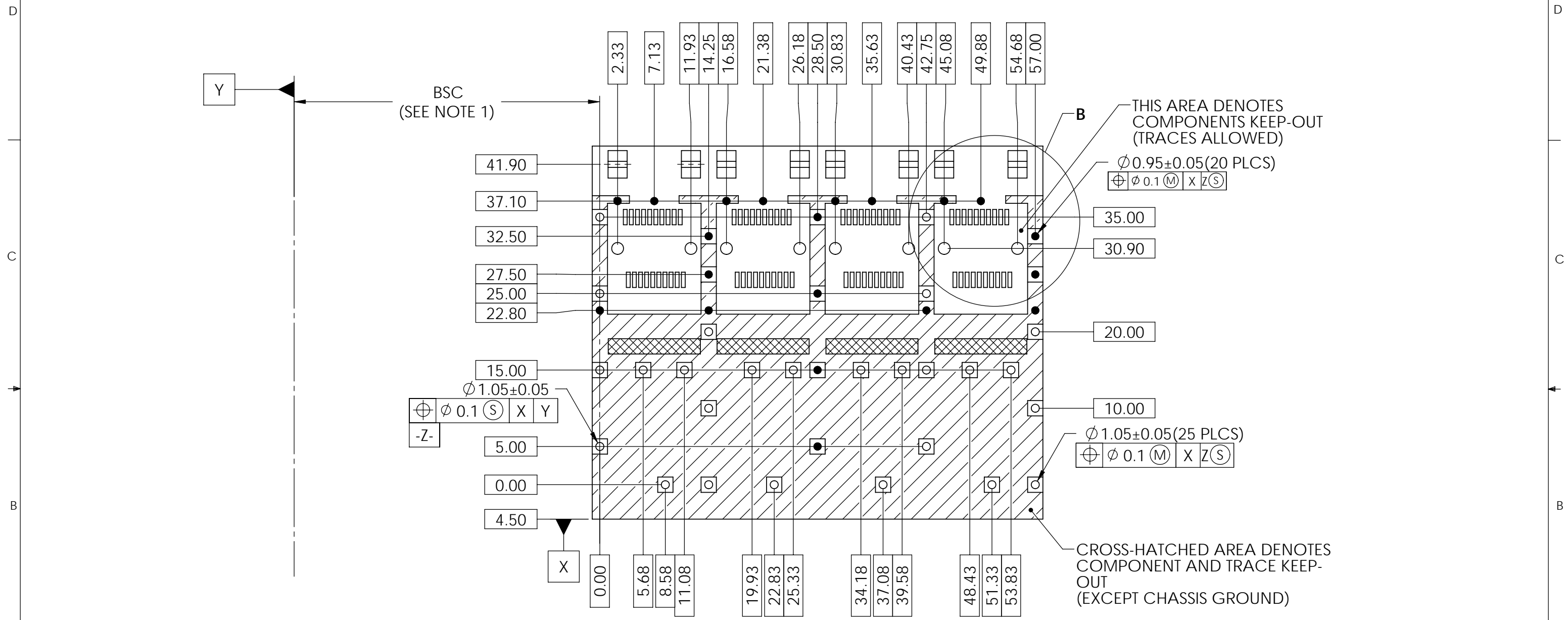
DO NOT SCALE DRAWING

THIS DOCUMENT CONTAINS PROPRIETARY INFORMATION AND SUCH INFORMATION MAY NOT BE DISCLOSED TO OTHERS FOR ANY PURPOSE OR USED FOR MANUFACTURING PURPOSES WITHOUT PERMISSION FROM AMPHENOL CANADA CORP.

UNLESS OTHERWISE SPECIFIED DIMENSIONS ARE IN MILLIMETERS TOLERANCES ARE:  DECIMALS      ANGLES X.X ± 0.38      ± 1° X.XX ± 0.25	<b>APPROVALS</b>	<b>DATE</b>	<b>Amphenol Canada Corp.</b>  TITLE <b>1XN SFP+ CAGE ELASTOMER EMI GASKET, WITH LIGHT PIPE</b>	
	DRAWN	J.SI		JUL21/09
	DESIGNED			
	CHECKED			
MATERIAL AND FINISH SEE NOTE 1	QA APPD			
REF.	IE APPD			
CODE IDENT. NO. 03554	DWG APPD			
		SCALE 3:1	PROJECT	
		SIZE A3	DWG. NO. P-U77-CX41M-X081	
			REV. A	
			SHEET 7 OF 11	

- NOTES:  
 1. DATUM AND BASIC DIMENSIONS ESTABLISHED BY CUSTOMER.  
 2. PADS AND VIAS ARE CHASSIS GROUND.  
 3. THRU-HOLES, PLATING OPTIONAL.  
 4. SEE DRAWINGS P-UX76-A20-X00XX FOR CONNECTOR LAYOUT.

REVISIONS				
REV.	ECN/E-R	DESCRIPTION	DATE	APPROVED
A		PROPOSAL	JUL22/09	



**RECOMMENDED PCB DESIGN  
 FOR SINGLE SIDE MOUNTING  
 (P/N U77-C461M-X081)**

**DO NOT SCALE DRAWING**

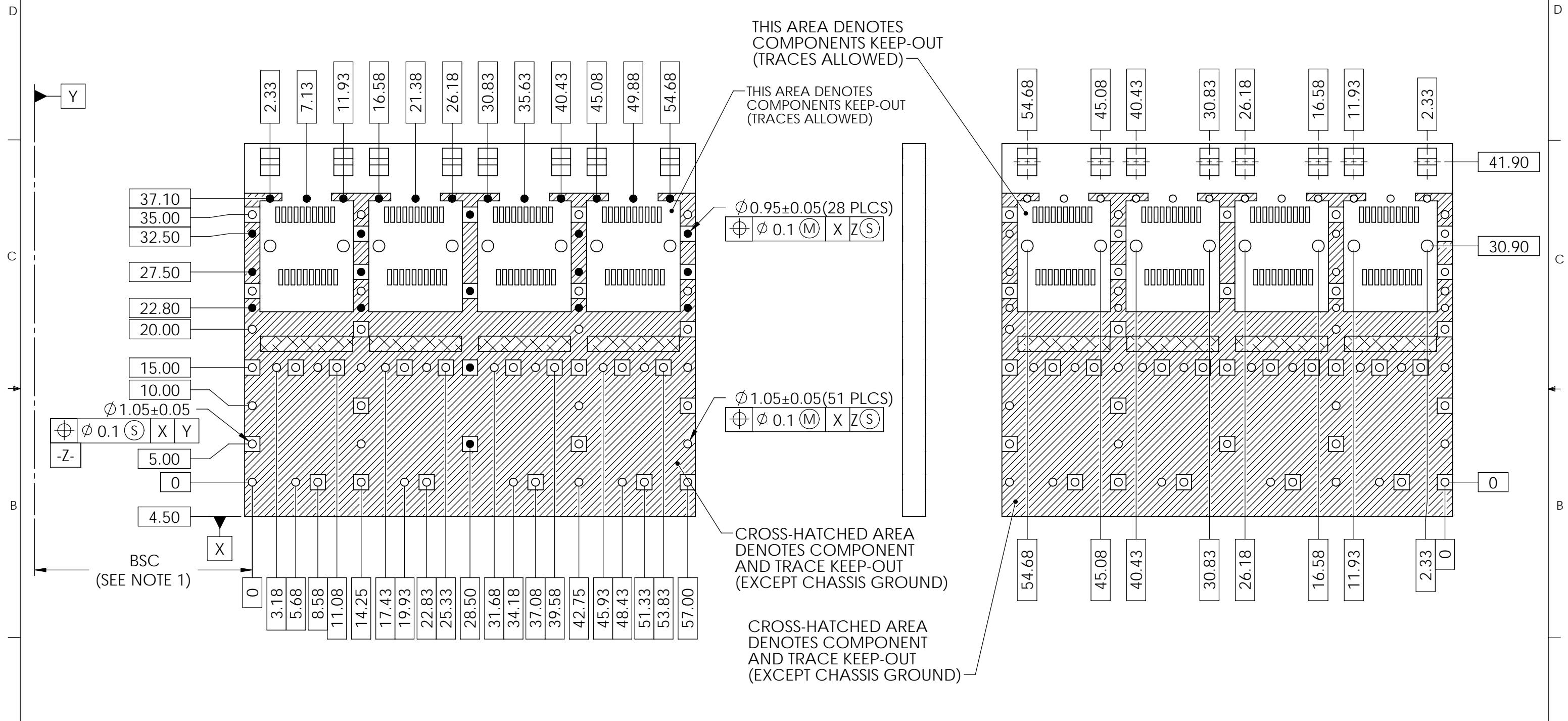
THIS DOCUMENT CONTAINS PROPRIETARY INFORMATION AND SUCH INFORMATION MAY NOT BE DISCLOSED TO OTHERS FOR ANY PURPOSE OR USED FOR MANUFACTURING PURPOSES WITHOUT PERMISSION FROM AMPHENOL CANADA CORP.

UNLESS OTHERWISE SPECIFIED DIMENSIONS ARE IN MILLIMETERS TOLERANCES ARE:  DECIMALS      ANGLES X.X ± 0.38      ± 1° X.XX ± 0.25	<b>APPROVALS</b>	<b>DATE</b>	<b>Amphenol Canada Corp.</b>  TITLE <b>1XN SFP+ CAGE ELASTOMER EMI GASKET, WITH LIGHT PIPE</b>
	DRAWN J.SI	JUL21/09	
	DESIGNED		
	CHECKED		
MATERIAL AND FINISH SEE NOTE 1	QA APPD		
REF.	IE APPD		SIZE A3 DWG. NO. P-U77-CX41M-X081 REV. A
CODE IDENT. NO. 03554	DWG APPD		SCALE 1:1 PROJECT SHEET 8 OF 11



- NOTES:  
 1. DATUM AND BASIC DIMENSIONS ESTABLISHED BY CUSTOMER.  
 2. PADS AND VIAS ARE CHASSIS GROUND.  
 3. THRU-HOLES, PLATING OPTIONAL.  
 4. SEE DRAWINGS P-UX76-A20-X00XX FOR CONNECTOR LAYOUT.

REVISIONS				
REV.	ECN/E-R	DESCRIPTION	DATE	APPROVED
A		PROPOSAL	JUL22/09	



**RECOMMENDED PCB DESIGN  
 FOR BELLY TO BELLY MOUNTING**

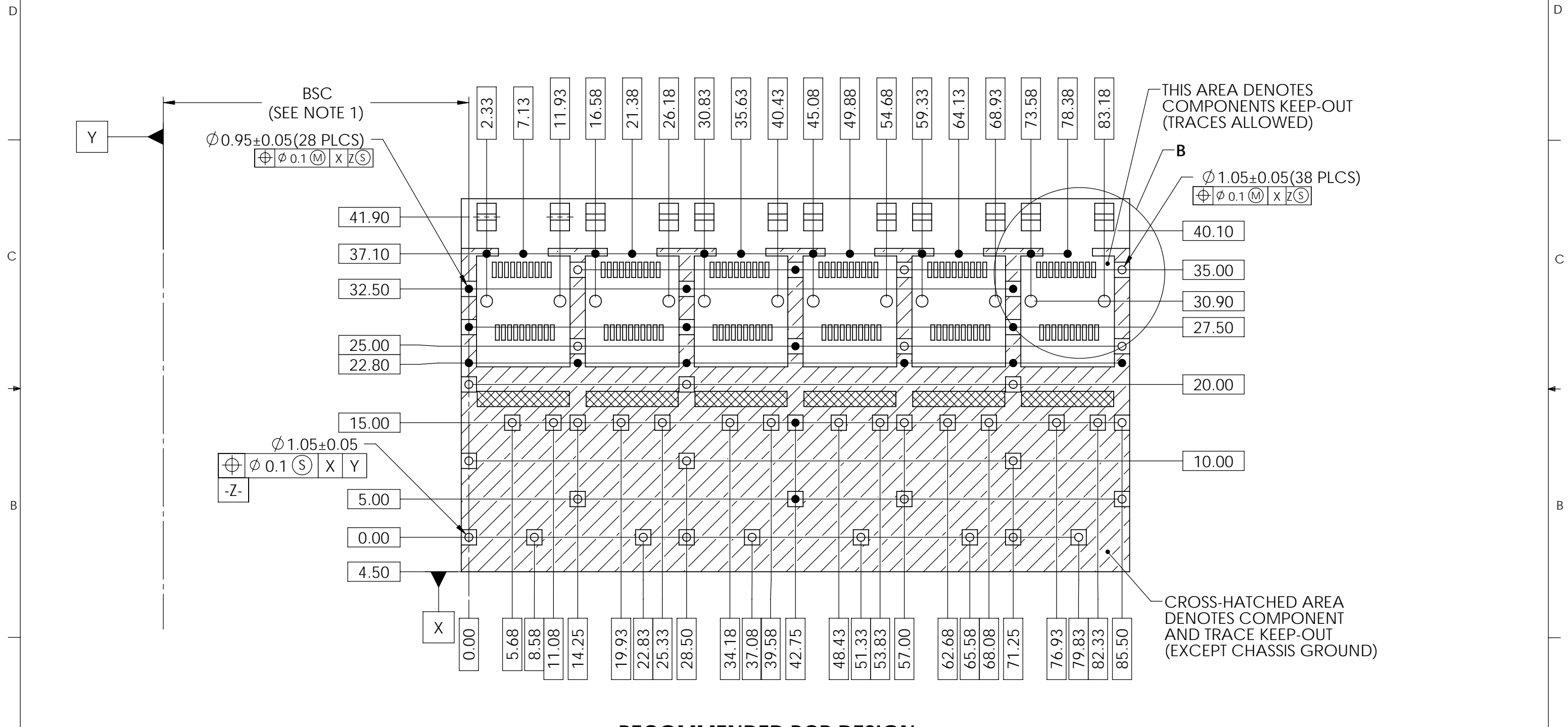
**DO NOT SCALE DRAWING**

THIS DOCUMENT CONTAINS PROPRIETARY INFORMATION AND SUCH INFORMATION MAY NOT BE DISCLOSED TO OTHERS FOR ANY PURPOSE OR USED FOR MANUFACTURING PURPOSES WITHOUT PERMISSION FROM AMPHENOL CANADA CORP.

UNLESS OTHERWISE SPECIFIED DIMENSIONS ARE IN MILLIMETERS TOLERANCES ARE:  DECIMALS      ANGLES X.X ± 0.38      ± 1° X.XX ± 0.25	APPROVALS		DATE	Amphenol Canada Corp.  TITLE <b>1XN SFP+ CAGE ELASTOMER EMI GASKET, WITH LIGHT PIPE</b>
	DRAWN	J.SI	JUL21/09	
	DESIGNED			
	CHECKED			
MATERIAL AND FINISH SEE NOTE 1	QA APPD			
REF.	IE APPD			SIZE A3
CODE IDENT. NO. 03554	DWG APPD			DWG. NO. P-U77-CX41M-X081
				SCALE 2:1
				PROJECT
				SHEET 9 OF 11

- NOTES:  
 1. DATUM AND BASIC DIMENSIONS ESTABLISHED BY CUSTOMER.  
 2. PADS AND VIAS ARE CHASSIS GROUND.  
 3. THRU-HOLES, PLATING OPTIONAL.  
 4. SEE DRAWINGS P-UX76-A20-X00XX FOR CONNECTOR LAYOUT.

REVISIONS				
REV.	ECN/E-R	DESCRIPTION	DATE	APPROVED
A		PROPOSAL	JUL22/09	



**RECOMMENDED PCB DESIGN  
 FOR SINGLE SIDE MOUNTING  
 (P/N U77-C661M-X081)**

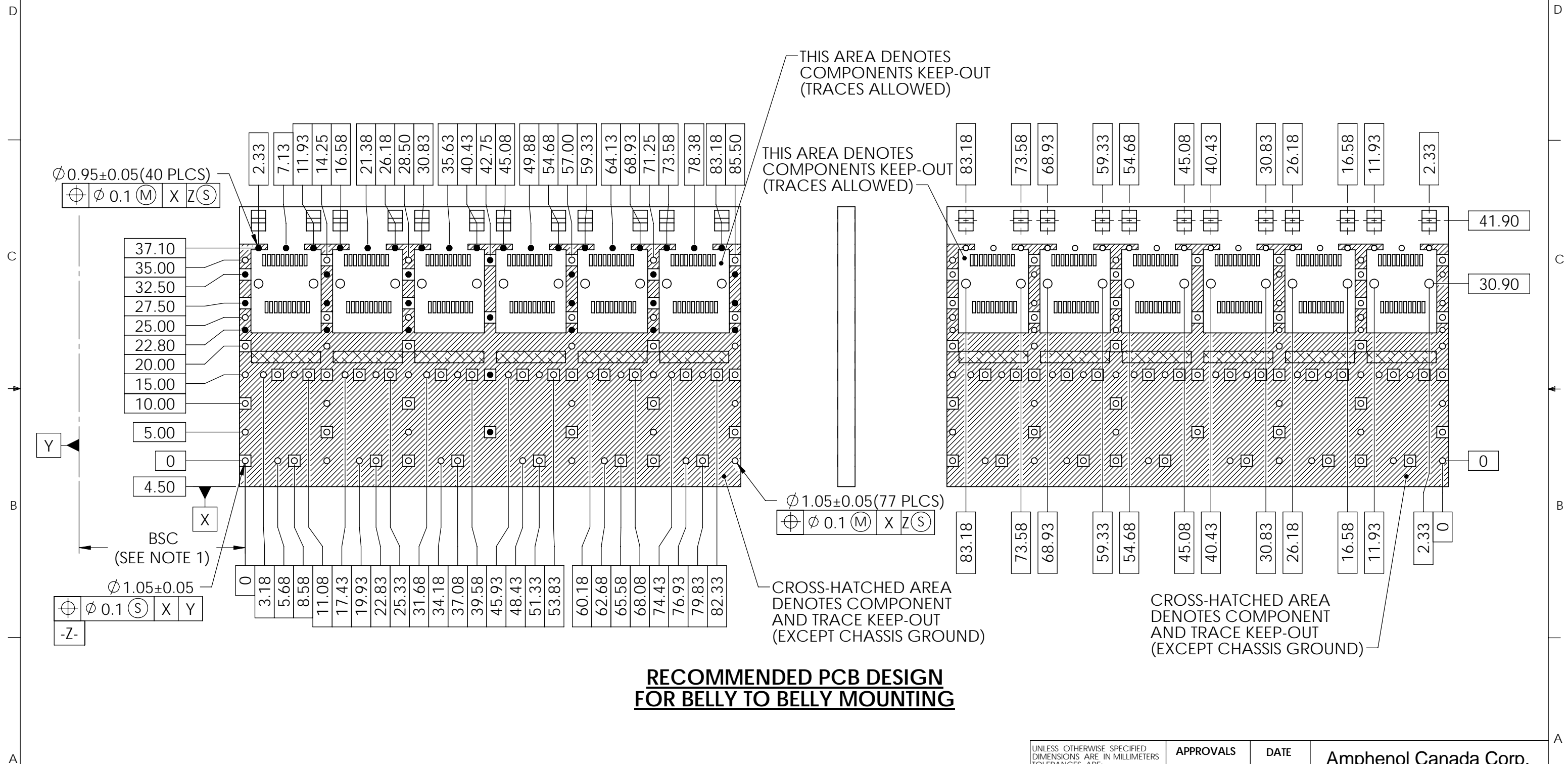
**DO NOT SCALE DRAWING**

THIS DOCUMENT CONTAINS PROPRIETARY INFORMATION AND SUCH INFORMATION MAY NOT BE DISCLOSED TO OTHERS FOR ANY PURPOSE OR USED FOR MANUFACTURING PURPOSES WITHOUT PERMISSION FROM AMPHENOL CANADA CORP.

UNLESS OTHERWISE SPECIFIED DIMENSIONS ARE IN MILLIMETERS TOLERANCES ARE:  DECIMALS            ANGLES X.X ± 0.38            ± 1° X.XX ± 0.25  MATERIAL AND FINISH SEE NOTE 1  REF.  CODE IDENT. NO.    03554	<b>APPROVALS</b>	<b>DATE</b>	<b>Amphenol Canada Corp.</b>  TITLE  <b>1XN SFP+ CAGE ELASTOMER          EMI GASKET, WITH LIGHT PIPE</b>
	DRAWN            J.SI	JUL21/09	
	DESIGNED		
	CHECKED		
	QA APPD		
	IE APPD		
	DWG APPD		
			SIZE    DWG. NO.    REV. A3            P-U77-CX41M-X081    A
			SCALE    PROJECT    SHEET 1:1                            10 OF 11

- NOTES:  
 1. DATUM AND BASIC DIMENSIONS ESTABLISHED BY CUSTOMER.  
 2. PADS AND VIAS ARE CHASSIS GROUND.  
 3. THRU-HOLES, PLATING OPTIONAL.  
 4. SEE DRAWINGS P-UX76-A20-X00XX FOR CONNECTOR LAYOUT.

REVISIONS				
REV.	ECN/E-R	DESCRIPTION	DATE	APPROVED
A		PROPOSAL	JUL22/09	



**RECOMMENDED PCB DESIGN FOR BELLY TO BELLY MOUNTING**

**DO NOT SCALE DRAWING**

THIS DOCUMENT CONTAINS PROPRIETARY INFORMATION AND SUCH INFORMATION MAY NOT BE DISCLOSED TO OTHERS FOR ANY PURPOSE OR USED FOR MANUFACTURING PURPOSES WITHOUT PERMISSION FROM AMPHENOL CANADA CORP.

UNLESS OTHERWISE SPECIFIED DIMENSIONS ARE IN MILLIMETERS TOLERANCES ARE:  DECIMALS      ANGLES X.X ± 0.38      ± 1° X.XX ± 0.25	<b>APPROVALS</b>	<b>DATE</b>	<b>Amphenol Canada Corp.</b>  TITLE <b>1XN SFP+ CAGE ELASTOMER EMI GASKET, WITH LIGHT PIPE</b>	
	DRAWN	J.SI		JUL21/09
	DESIGNED			
	CHECKED			
MATERIAL AND FINISH SEE NOTE 1	QA APPD			
REF.	IE APPD			
CODE IDENT. NO. 03554	DWG APPD			
		SCALE 3:2	PROJECT	
		SIZE A3	DWG. NO. P-U77-CX41M-X081	
			REV. A	
			SHEET 11 OF 11	