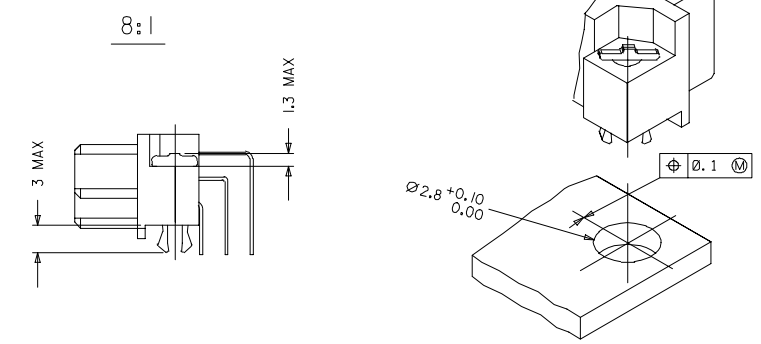
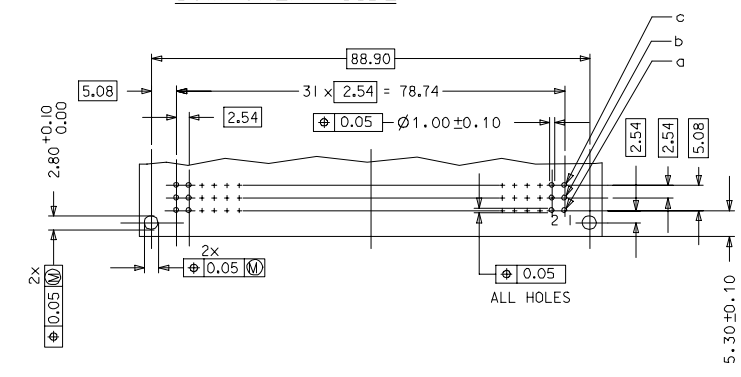


WITH MOUNTING CLIPS



- NOTES:
- MATERIALS: THERMOPLASTIC POLYESTER, GLASS FILLED, UL94V-0, COLOUR: PEBBLE GREY RAL 7032
TERMINAL - PHOSPHOR BRONZE
MOUNTING CLIP: STEEL
 - FINISH: TERMINAL:-
CONTACT AREA
1. PERFORMANCE LEVEL 1: SELECTIVE GOLD (Au), THICKNESS = 1.1 MICROMETER OVER NICKEL, THICKNESS = 1.25 MICROMETER
2. PERFORMANCE LEVEL 2: SELECTIVE GOLD (Au), THICKNESS = 0.6 MICROMETER OVER NICKEL, THICKNESS = 1.25 MICROMETER
3. PERFORMANCE LEVEL 3: SELECTIVE GOLD (Au), THICKNESS = 0.3 MICROMETER OVER NICKEL, THICKNESS = 1.25 MICROMETER
TERMINATION AREA:
SELECTIVE TIN, THICKNESS = 2.5 MICROMETER OVER NICKEL, THICKNESS = 1.25 MICROMETER OVERALL
 - MOUNTING CLIP:-
TIN (Sn), THICKNESS = 5-10 MICROMETER, OVER NICKEL (Ni), THICKNESS = 2.5 MICROMETER
 - FOR NON MOUNTING CLIP OPTION, CONNECTOR TO BE SECURED WITH RIVETS: 2 TUBULAR RIVETS 2.5 x 0.3 ... DIN 7340
SCREWS: 2 CHEESEHEAD SCREWS M2.5 x DIN 84 AND 2 HEXAGONAL NUTS M2.5 DIN 934
 - MATERIAL NUMBER, BATCH CODE, UL AND CSA MARKING TO BE PRINTED ON THE CONNECTOR
 - CUT FACE OF TIP WITHOUT PLATING PERMITTED
 - PRODUCT SPECIFICATION : PS 36509-001

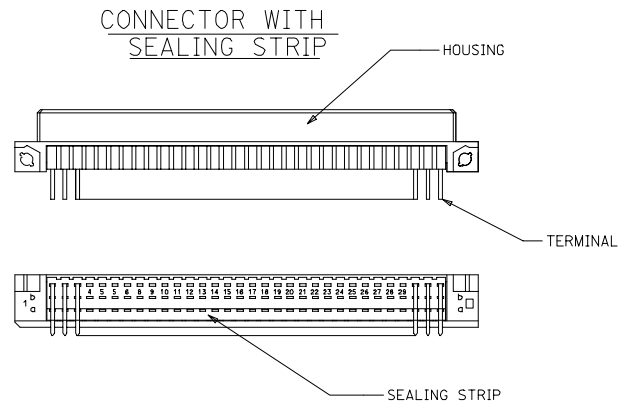
RECOMMENDED PCB LAYOUT COMPONENT SIDE



RoHS COMPLIANT

| | | | | | | | | | |
|--|-------------------------------|---|---------------------------------|------------------------------|--------------------|--|------------------------|------------------------|--|
| EC No: P007-0044 DRAWN BY: DRINGSATTI/MARCO 2006/10/10 CHECKED BY: CHIKKOSUDHIR 2006/10/11 APPROVED BY: APPR/SSUDHIR 2006/10/17 | QUALITY SYMBOLS ▽=0 ▽=0 | GENERAL TOLERANCES (UNLESS SPECIFIED) | | DIMENSION STYLE MM ONLY | | SCALE 2:1 | DESIGN UNITS METRIC | THIRD ANGLE PROJECTION | |
| | | 4 PLACES ± --- ± --- 3 PLACES ± 0.05 ± --- 2 PLACES ± 0.1 ± --- 1 PLACE ± 0.15 ± --- | INCH ± --- ± --- ± --- | DRAWN BY SS | DATE 1999/09/24 | TITLE ASSEMBLY, DIN1612 R FEMALE 96 POS | | MOLEX INCORPORATED | |
| DRAFT WHERE APPLICABLE MUST REMAIN WITHIN DIMENSIONS | SIZE A 1 | MATERIAL NO. SEE CHART | | DOCUMENT NO. SD-36509-001 | | SHEET NO. 1 OF 2 | | | |
| | | THIS DRAWING CONTAINS INFORMATION THAT IS PROPRIETARY TO MOLEX INCORPORATED AND SHOULD NOT BE USED WITHOUT WRITTEN PERMISSION | | | | | | | |

| MATERIAL No | MOLEX ENG No | PERF LEVEL | PLATING | CONTACT SEQUENCE/ROW | MOUNTING CLIP | SEALING STRIP |
|-------------|-------------------|------------|---------|----------------------|---------------|---------------|
| 36509-0001 | MM-B2400-R960 | 1 | Au+Ni | 1,2,3....32 a+b+c | NO | NO |
| 36509-0002 | MM-B2500-R960 | 2 | Au+Ni | 1,2,3....32 a+b+c | NO | NO |
| 36509-0003 | MM-B2600-R960 | 3 | Au+Ni | 1,2,3....32 a+b+c | NO | NO |
| 36509-0007 | MM-B2400-R910 | 1 | Au+Ni | 1,2,3....32 a+b+c | YES | NO |
| 36509-0008 | MM-B2500-R910 | 2 | Au+Ni | 1,2,3....32 a+b+c | YES | NO |
| 36509-0009 | MM-B2600-R910 | 3 | Au+Ni | 1,2,3....32 a+b+c | YES | NO |
| 36509-0013 | MM-B2400-R960-101 | 1 | Au+Ni | 1,2,3....32 a+b+c | NO | YES |
| 36509-0014 | MM-B2500-R960-101 | 2 | Au+Ni | 1,2,3....32 a+b+c | NO | YES |
| 36509-0015 | MM-B2600-R960-101 | 3 | Au+Ni | 1,2,3....32 a+b+c | NO | YES |
| 36509-0019 | MM-B2400-R910-101 | 1 | Au+Ni | 1,2,3....32 a+b+c | YES | YES |
| 36509-0020 | MM-B2500-R910-101 | 2 | Au+Ni | 1,2,3....32 a+b+c | YES | YES |
| 36509-0021 | MM-B2600-R910-101 | 3 | Au+Ni | 1,2,3....32 a+b+c | YES | YES |



RoHS COMPLIANT

| EC No: 2007/0044 DRAWN BY: DRINGSATTI/MARCO 2006/10/10 CHECKED BY: CHIKKOSUDHAR 2006/10/11 APPROVED BY: APPR/SSUDHAR 2006/10/16 | QUALITY SYMBOLS ▽=0 ▽=0 | GENERAL TOLERANCES (UNLESS SPECIFIED) <table border="1"> <thead> <tr> <th></th> <th>mm</th> <th>INCH</th> </tr> </thead> <tbody> <tr> <td>4 PLACES</td> <td>± 0.15</td> <td>± 0.006</td> </tr> <tr> <td>3 PLACES</td> <td>± 0.05</td> <td>± 0.002</td> </tr> <tr> <td>2 PLACES</td> <td>± 0.1</td> <td>± 0.004</td> </tr> <tr> <td>1 PLACE</td> <td>± 0.15</td> <td>± 0.006</td> </tr> </tbody> </table> | | mm | INCH | 4 PLACES | ± 0.15 | ± 0.006 | 3 PLACES | ± 0.05 | ± 0.002 | 2 PLACES | ± 0.1 | ± 0.004 | 1 PLACE | ± 0.15 | ± 0.006 | DIMENSION STYLE MM ONLY | SCALE 2:1 | DESIGN UNITS METRIC | THIRD ANGLE PROJECTION |
|--|-------------------------------|---|------------------------------|---------------------|------|----------|--------|---------|----------|--------|---------|----------|-------|---------|---------|--------|---------|----------------------------|--------------|------------------------|------------------------|
| | | mm | INCH | | | | | | | | | | | | | | | | | | |
| 4 PLACES | ± 0.15 | ± 0.006 | | | | | | | | | | | | | | | | | | | |
| 3 PLACES | ± 0.05 | ± 0.002 | | | | | | | | | | | | | | | | | | | |
| 2 PLACES | ± 0.1 | ± 0.004 | | | | | | | | | | | | | | | | | | | |
| 1 PLACE | ± 0.15 | ± 0.006 | | | | | | | | | | | | | | | | | | | |
| DRAFT WHERE APPLICABLE MUST REMAIN WITHIN DIMENSIONS | SEE CHART | MATERIAL NO. SD-36509-001 | DOCUMENT NO. SD-36509-001 | SHEET NO. 2 OF 2 | | | | | | | | | | | | | | | | | |