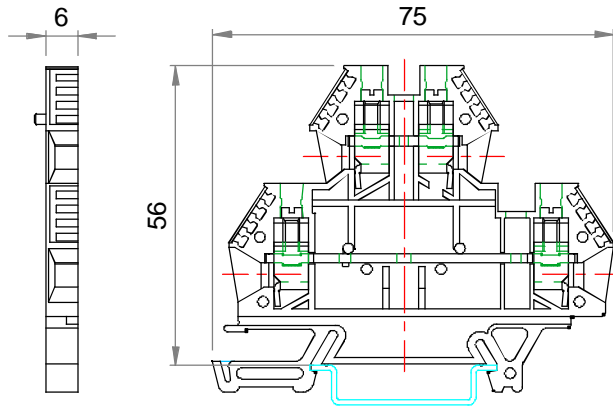


Part number description :

10134289-XXXLF

- ▶ LF: Lead Free, RoHs compliant, see note
- ▶ XXX : Color ref or/and version



Note : THIS PRODUCT MEETS EUROPEAN UNION DIRECTIVES AND OTHER COUNTRY REGULATIONS AS PER GS-47-0004

PN	Colour	Version
10134289-001LF	grey	(A) Unipolar
10134289-002LF	black	(A) Unipolar
10134289-003LF	blue	(A) Unipolar
10134289-004LF	yellow-green	(A) Unipolar
10134289-005LF	yellow	(A) Unipolar
10134289-006LF	red	(A) Unipolar
10134289-007LF	grey	(B) LED 12-24V
10134289-008LF	grey	(C) LED 110V
10134289-009LF	grey	(D) Diode
10134289-010LF	grey	(E) Diode
10134289-011LF	grey	(F) Diode
10134289-012LF	grey	(G) Diode
10134289-013LF	grey	(H) Diode
10134289-014LF	grey	(I) Diode
10134289-015LF	grey	(J) Diode
10134289-016LF	grey	(K) Arranged

TECHNICAL DATA / DIMENSIONS

Dimensions	
Width mm	6.0
Length mm	75.0
Height mm	56.0
Mounting type (EN 60715)	Omega TH35
Technical data	
Maximum load current	32A
Insulating material	PA
Self-extinguishing degree acc. to UL94	V2
Rated surge voltage	8kV
Pollution degree	3
Surge voltage category	III
Insulating material group	I
Nominal Voltage	1000V
Nominal Current	32A
Connection data	
Conductor cross-section solid min/max	0.50 / 6 mm <sup>2</sup>
Conductor cross-section stranded min/max	0.50 / 6 mm <sup>2</sup>
AWG min/max	24-10AWG
Max conductor cross-section stranded with ferrule with plastic sleeve	4 mm <sup>2</sup> / L=8 mm
Stripping length	max 6 mm
Screw	M3
Tightening torque	0,6Nm / 7. 0 Lb-In

ACCESSORIES

Item	Description
<b>Marking</b>	
10134398-001LF	Blank single-digit marking tags
10134398-002LF+ 10134398-01 LF	Printed single-digit marking tags numbered : 1÷0
10134398-012LF + 10134398-041LF	Printed single-digit marking tags with letter: A÷Z
10134399-001LF	Marking tag adapter
10134400-001LF	Blank Marking tags
10134401-001LF	Blank Marking tags

DIN RAIL system - Mounting and Installation material

10134392-001LF	Steel Omega Rail TH35x7,5mm -2mt length
10134393-001LF	Slotted Steel Omega Rail TH35x7,5mm -2mt length
10134394-001LF	Steel Omega Rail TH35x15mm -2mt length
10134395-001LF	Slotted Steel Omega Rail TH35x15mm -2mt length
10134387-001LF	Angled support bracket
10134389-001LF	End Bracket for TH35 Omega rail -Width 9mm
10134390-001LF	End Bracket for TH35 Omega rail -Width 6mm
10134391-001LF	Fast-snap End Bracket for TH35 Omega rail

Additional items

10134292-001LF	End Plate for SCREW Terminal Blocks D4
10134272-001LF	Jumper bar 2 poles,pitch 6,1mm J4
10134272-002LF	Jumper bar 3 poles,pitch 6,1mm J4
10134272-003LF	Jumper bar 24 poles,pitch 6,1mm J4
10134271-002LF	Ratchet Cutting Tool for jumper bar J4 -yellow
10134276-001LF	Red test plug adapter
10134276-002LF	Black test plug adapter

APPROVALS

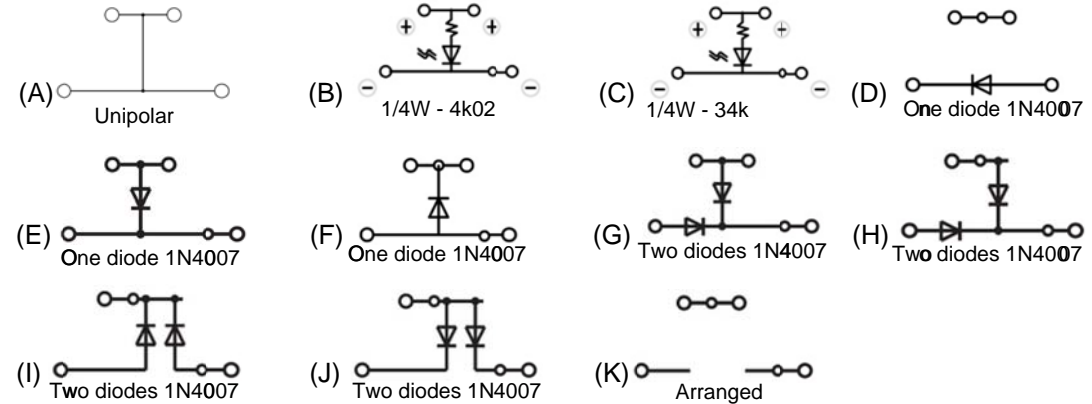


AWG 24-10 - 600V - 30A



RINA

EN60947-7-1 4mm<sup>2</sup> - 1000V - 32A



spec ref	dr Aymeric Soudy 23-06-2015	projection	size A3	scale 1:1
tolerance std ISO 406 ISO 1101	eng Aymeric Soudy 23-06-2015		MM	ecn no
TOLERANCES UNLESS OTHERWISE SPECIFIED				
surface ISO 1302	chr	appr Aymeric Soudy 23-06-2015	10134289	
linear 0.X ± 0.3 0.XX ± 0.1 0.XXX ± 0.05	angular 0° ± 2°	Two stage SCREW Terminal Block D4-2 with components		rev A
www.fcicon.com		cat. no.		Product customer drawing sheet 1 of 1



Copyright FCI