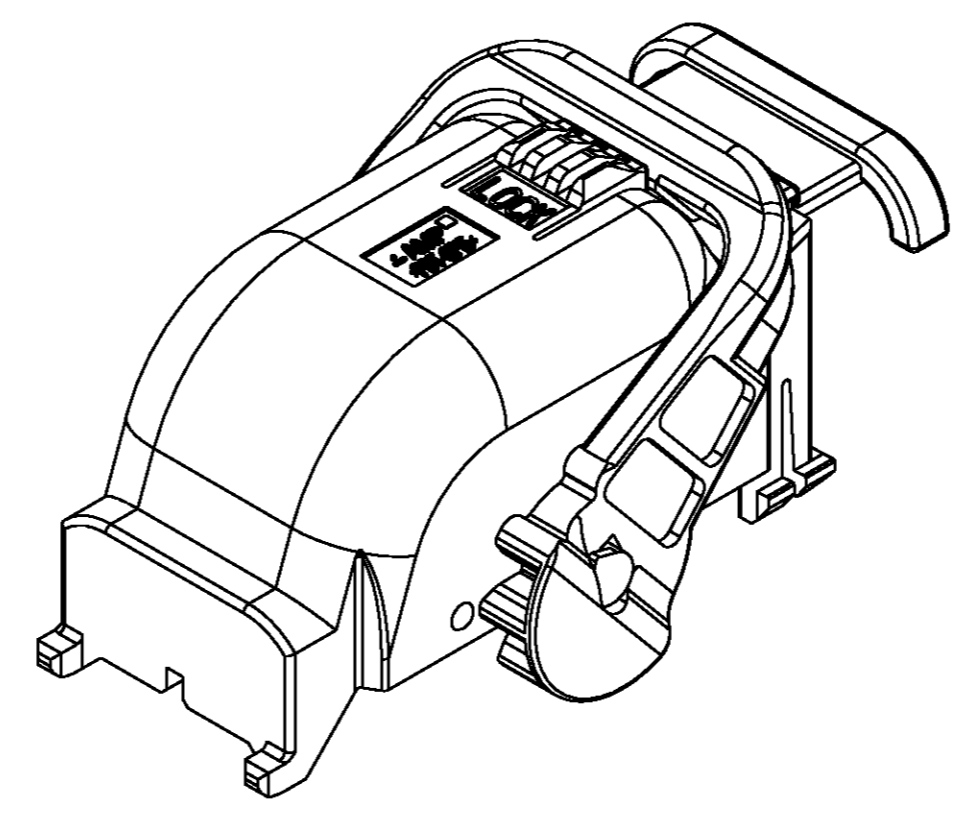
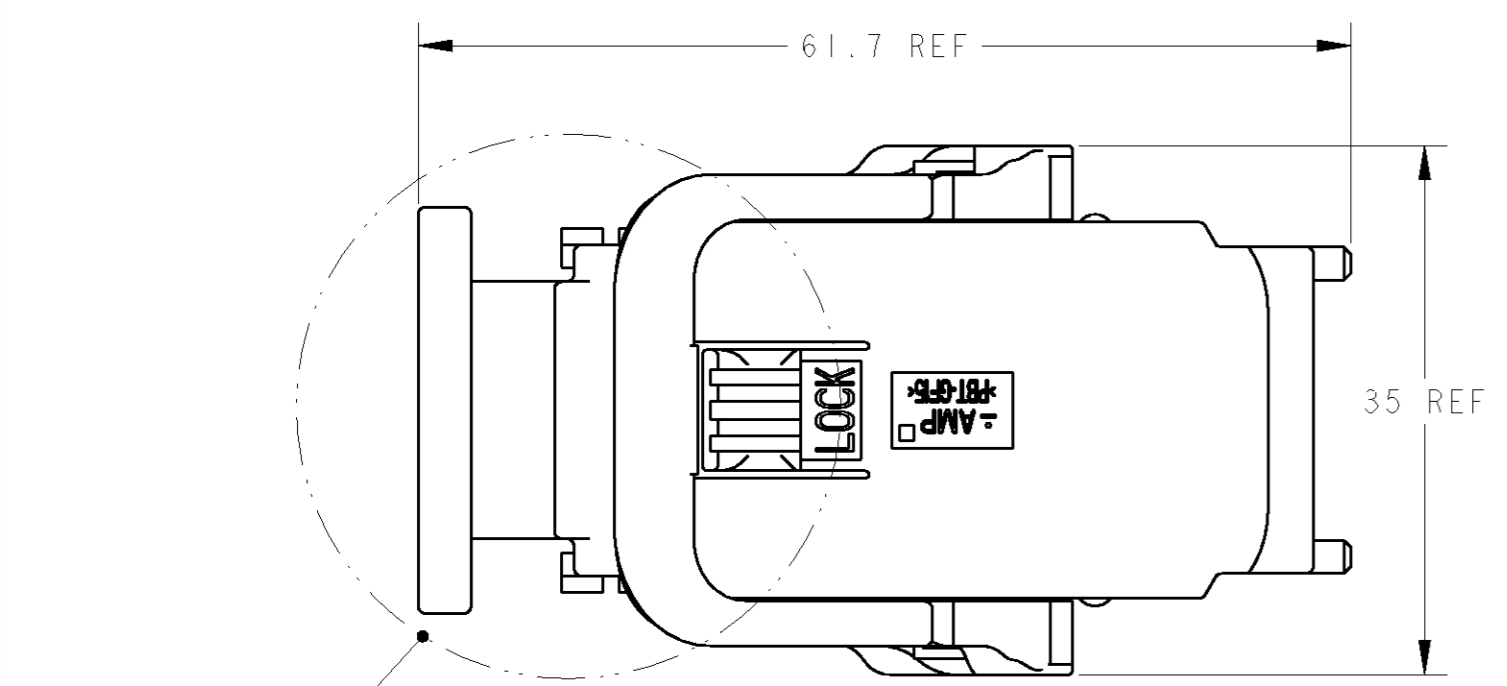


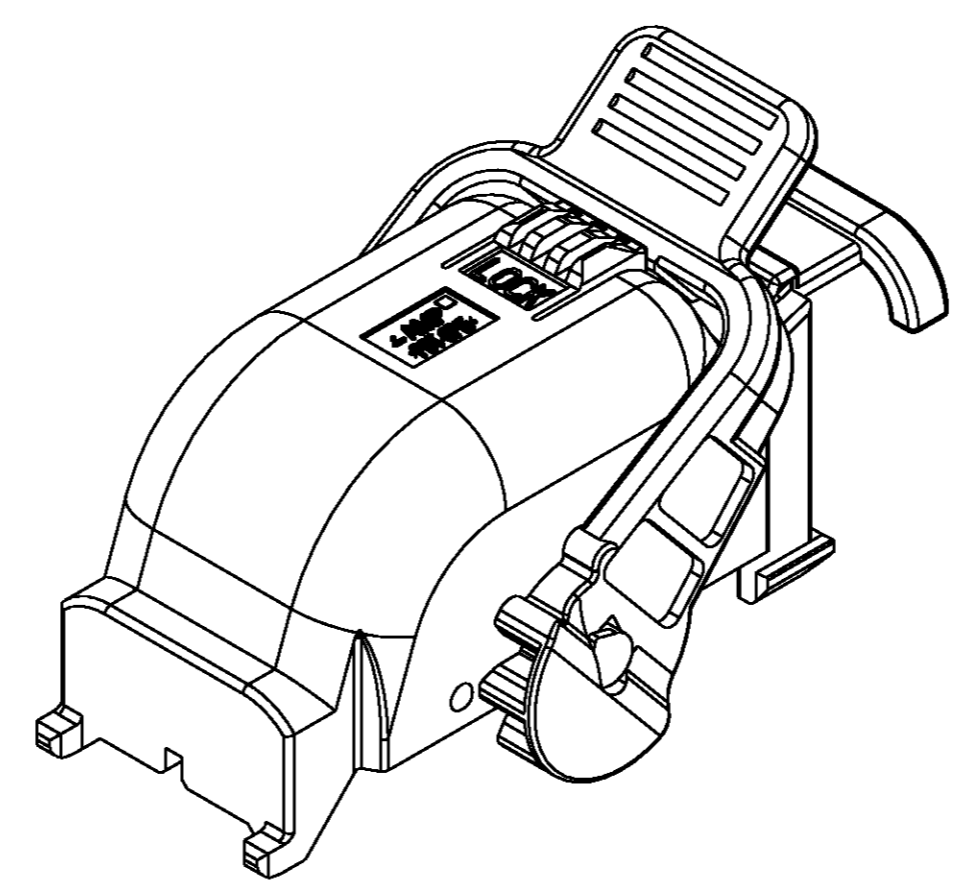
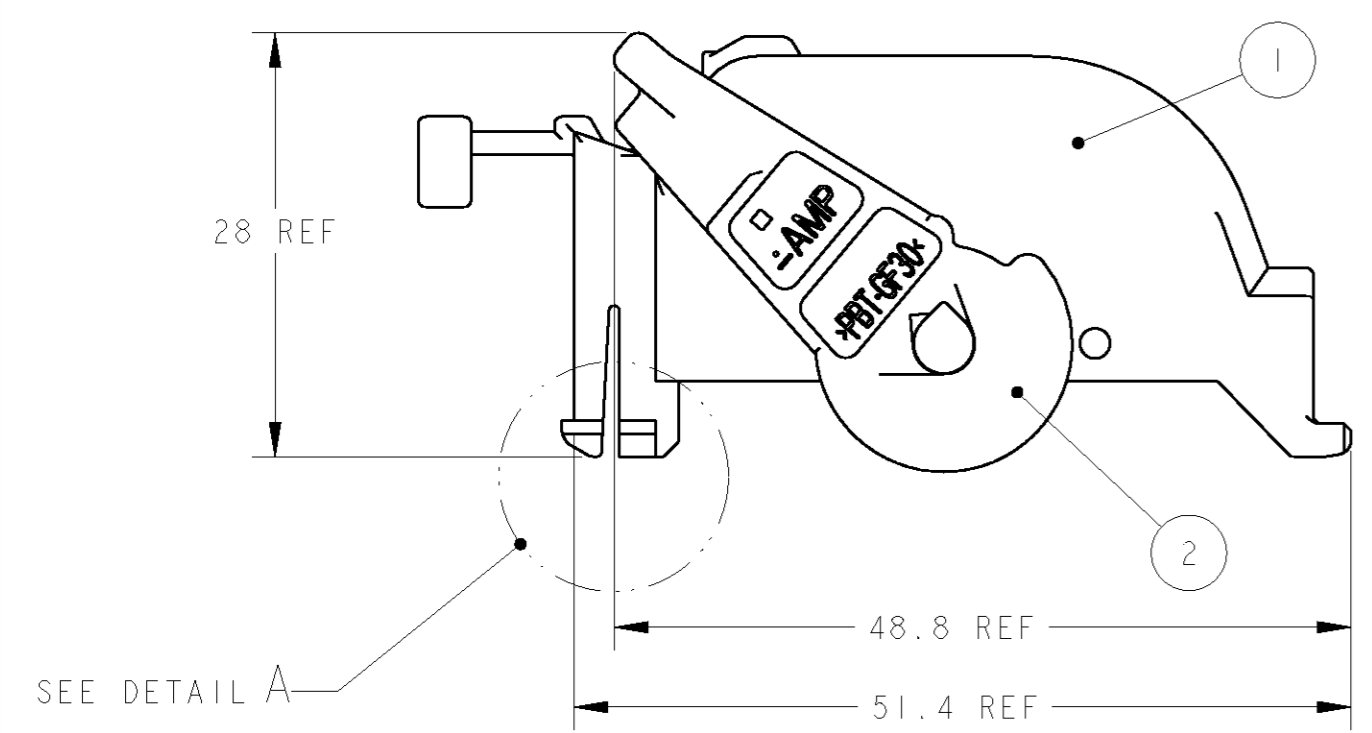
THIS DRAWING IS UNPUBLISHED. RELEASED FOR PUBLICATION
 © COPYRIGHT BY TYCO ELECTRONICS CORPORATION. ALL RIGHTS RESERVED.

LOC	DIST	REVISIONS				
P	LTR	DESCRIPTION	ECN	DATE	DWN	APVD
-	0	RELEASED	FJ00-2386-01	10OCT01	Y.K	N.S
-	01	ADD "-2" SLIT TYPE	ECR-05-000427	09MAR2005	S.Y	Y.F
-	A	ADD LONG LEVER TYPE	ECR-07-010628	07MAY07	T.J	Y.F



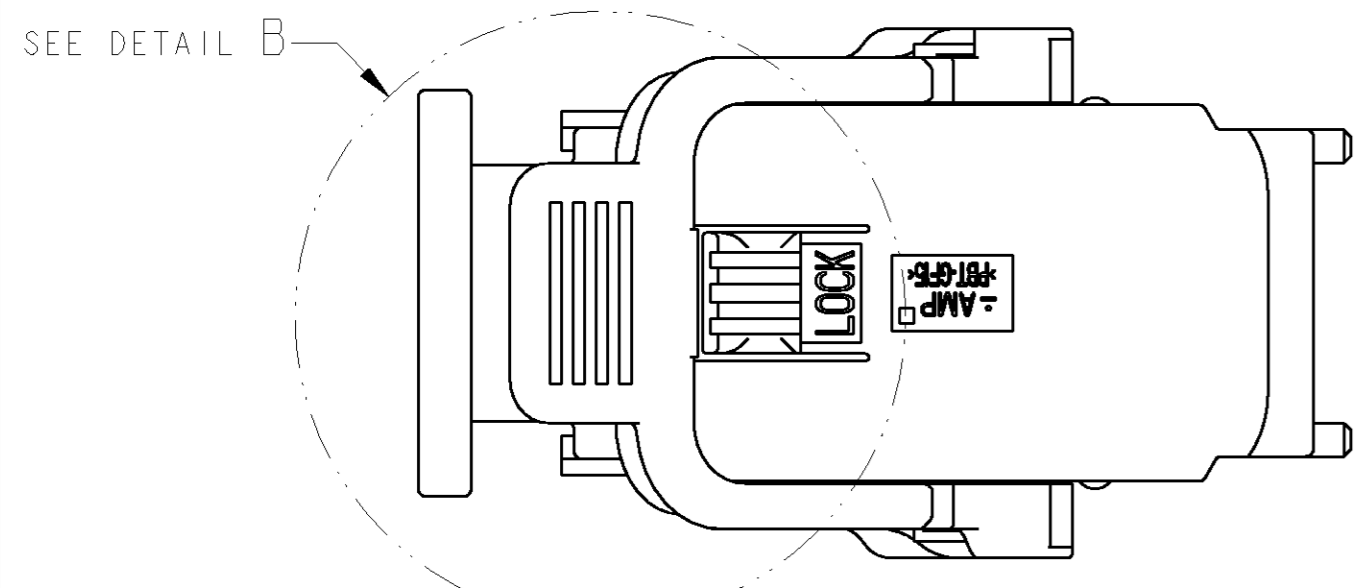
STANDARD LEVER TYPE

DETAIL A		
TYPE	SLIT TYPE	NO SLIT TYPE
P/N	1473255-1	1473255-2, -3

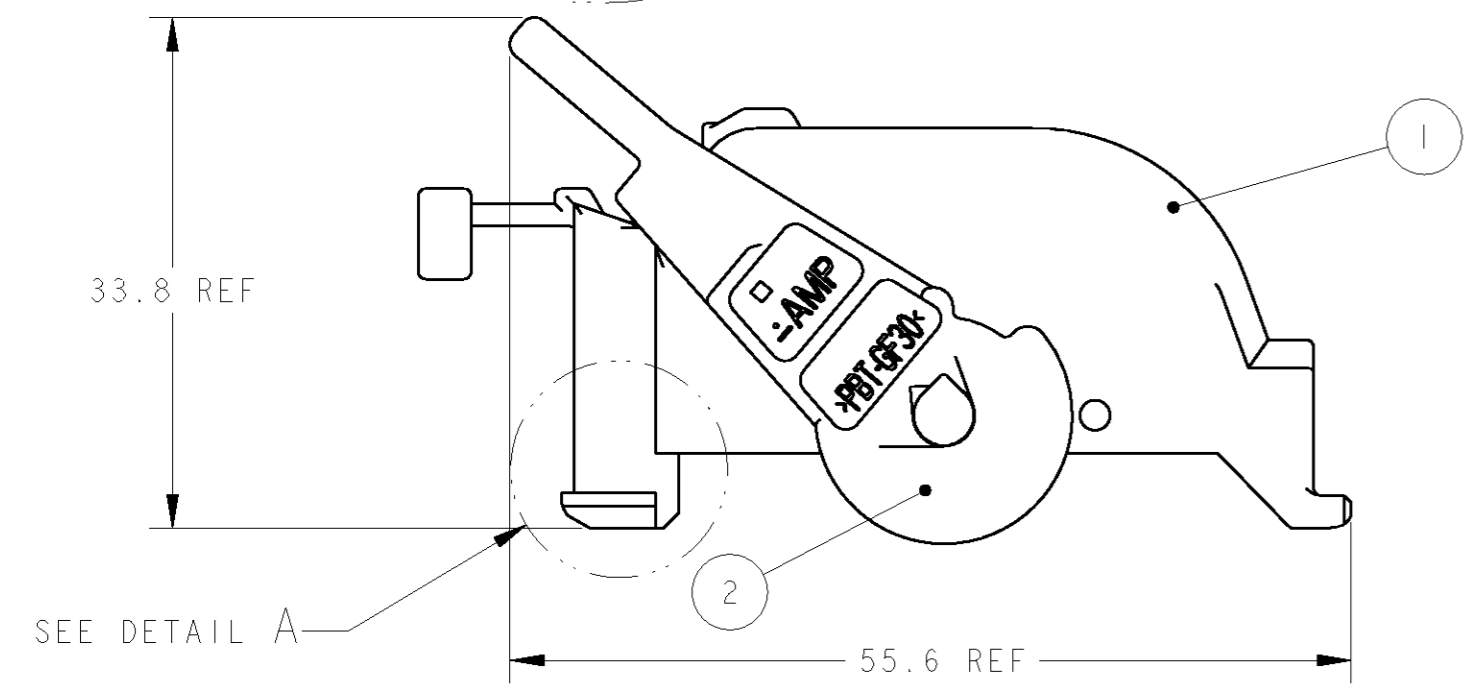


LONG LEVER TYPE

DETAIL B		
TYPE	STANDARD LEVER TYPE	LONG LEVER TYPE
P/N	1473255-1, -2	1473255-3



1. PART NUMBER OF PLUG HOUSING ASSEMBLY TO BE APPLIED ; SEE PRODUCT SPEC.
 2. INSTRUCTION SHEET NO ; 411-78008 / 411-78142
 1. 適用プラグハウジングアセンブリ型番は、製品規格参照のこと。
 2. 取扱説明書 NO ; 411-78008 / 411-78142



1	-	-	LEVER (LONG TYPE)	WHITE	2
-	1	1	LEVER (STANDARD TYPE)	BLACK	
1	1	-	HARNESS COVER (NO SLIT)	BLACK	1
-	-	1	HARNESS COVER (SLIT)	BLACK	
-3	-2	-1	PART NAME	FINISH/COLOR	NO

<small>THIS DRAWING IS A CONTROLLED DOCUMENT FOR TYCO ELECTRONICS CORPORATION. IT IS SUBJECT TO CHANGE AND THE CONTROLLING ENGINEERING ORGANIZATION SHOULD BE CONTACTED FOR THE LATEST REVISION.</small>		DWN T. JIANG 07 JUN 07 CHK Y. NOGUCHI 07 JUN 07 APVD Y. FUJIWARA 07 JUN 07	Tyco Electronics Tyco Electronics Corporation Kawasaki, Japan
DIMENSIONS: mm 	TOLERANCES UNLESS OTHERWISE SPECIFIED: - 一般公差 = ±0.3 0-PLC ± 1-PLC ±0.5 2-PLC ±0.13 3-PLC ±0.013 4-PLC ±0.001 ANGLES ± FINISH SEE TABLE	PRODUCT SPEC 108-5793, 108-5977 APPLICATION SPEC 114-18021, 114-18050 WEIGHT 10.7g	NAME LEVER ASSY TYPE-A (STEER THE WIRE OUTSIDE) SEALED 40POS. PLUG HSG MOS CLEAN BODY/JPT SIZE A2 CAGE CODE 00779 DRAWING NO 1473255 RESTRICTED TO
MATERIAL PBT		CUSTOMER DRAWING	SCALE 2.1 SHEET OF 1 REV A