

THIS DRAWING IS UNPUBLISHED. RELEASED FOR PUBLICATION, 19
 © COPYRIGHT 19 BY AMP INCORPORATED. ALL INTERNATIONAL RIGHTS RESERVED.

LOC	DIST	P	F	REVISIONS			DATE	APPD
G	14			ZONE	LTR	DESCRIPTION		
					G	REV PER 0G3A-0031-99	080CT99	JR/TM

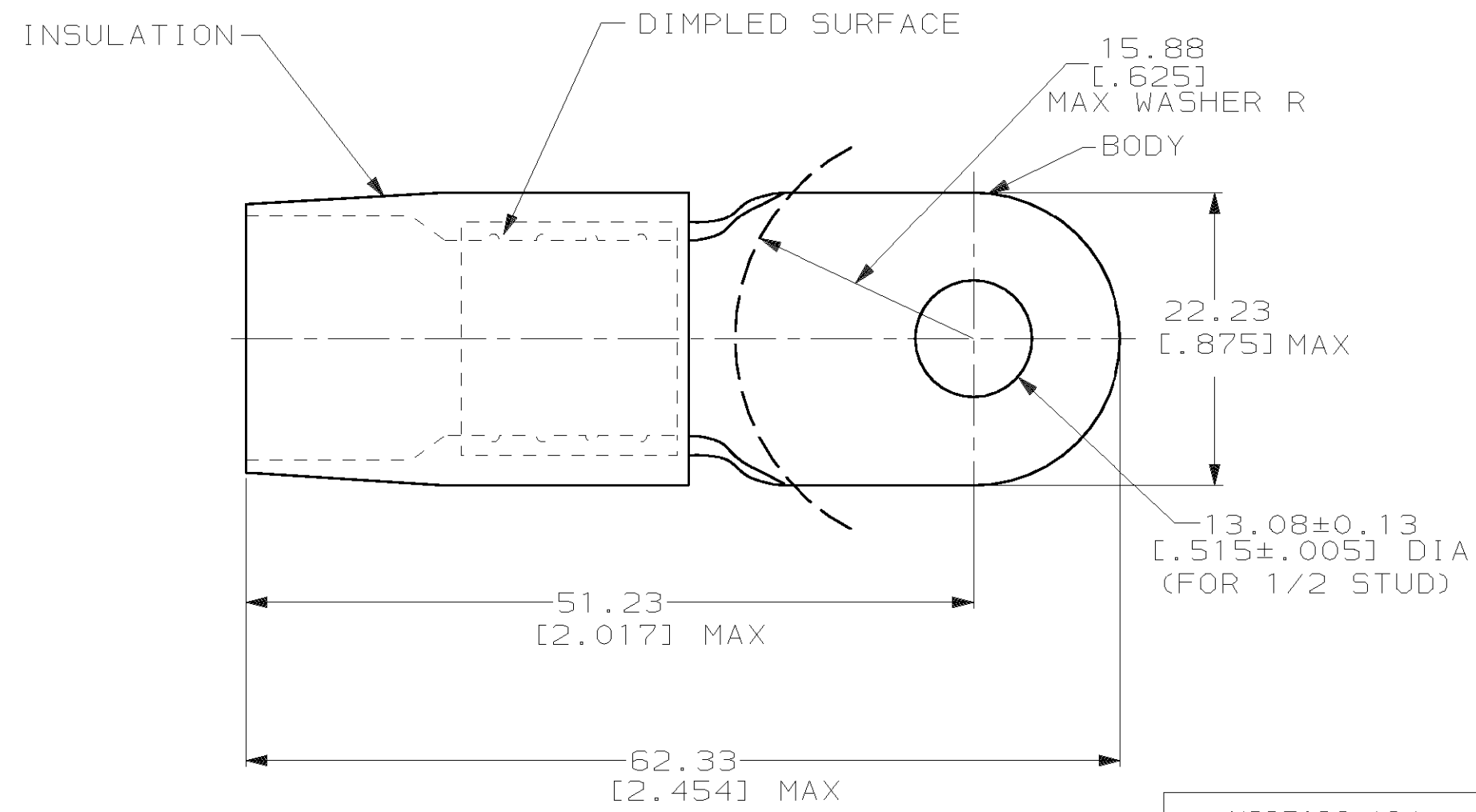
AMP
WIRE RANGE

1/0 AWG
STRANDED

METRIC

DIMENSIONS LISTED IN mm [INCHES]

1. TONGUE MATERIAL THK 1.78±0.08 [.070±.003]
 FOR 14.73 [.580] MAX WIRE INS DIA



AMP INCORPORATED CUSTOMER SERVICE SYSTEMS		MAX RECOMMENDED OPERATING TEMPERATURE: 105°c	MILITARY P/N AND CLASS MS25036-134 CLASS 2	QTY	PACKAGE TYPE LOOSE PC	PART NO 324058
FOR ADDITIONAL PRODUCT INFORMATION OR COPIES OF DRAWINGS AND TECHNICAL DOCUMENTS	PRODUCT INFORMATION CENTER 1-800-522-6752	VOLTAGE RATING: -	DO NOT SCALE PRINT. UNLESS SPECIFIED. DIMENSIONS IN mm [INCHES]. TOLERANCES ON: 2 PLC DEC ± 0.20 [.008] 3 PLC DEC ± - ANGLES ± -	DR 6-21-93 S.S. GOULDEN	AMP AMP Incorporated Harrisburg, PA 17105-3608	
FOR APPLICATION TOOLING INFORMATION	TOOLING ASSISTANCE CENTER 1-800-722-1111	CIRCULAR MIL AREA: 42.4-60.6mm² [83,700-119,500] STRANDED	MATERIAL COPPER PER ASTM B-152 NYLON (MIL-M-20693) TYPE 1 COLOR: BLUE	CHK 6-21-93 R. HERSEY	NAME TERMINAL, RING TONGUE, TERMINYL WIRE SIZE: 1/0 AWG	
FOR ORDER ENTRY	1-800-526-5142	THIS DRAWING IS A CONTROLLED DOCUMENT FOR AMP INCORPORATED. IT IS SUBJECT TO CHANGE AND THE CONTROLLING ENGINEERING ORGANIZATION SHOULD BE CONTACTED FOR THE LATEST REVISION.	FINISH TIN PLATE PER MIL-T-10727	APPD 6-21-93 B. BARE	PRODUCT SPEC -	SIZE B
				APPD 6-21-93 M. ELLIS	APPLICATION SPEC -	CAGE CODE 00779
				WEIGHT -		DRAWING NO C-324058
					SCALE NTS	SHEET 1 OF 1