

Circular Connectors

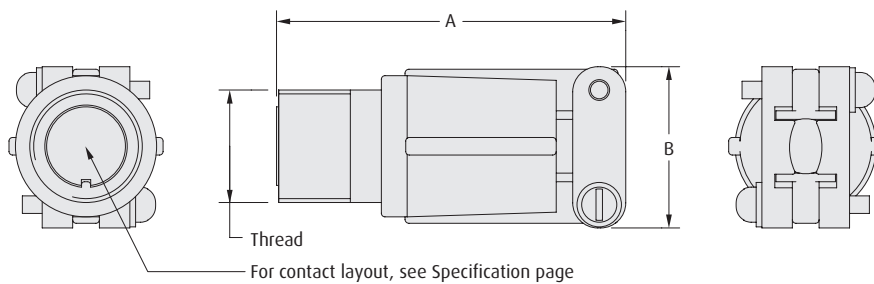
Cable Connector & Straight Plug

- Male & female circular connectors intermateable with MIL-DTL-5015.
- Rugged connector system for harsh environments.
- Exceeds IP67.
- Recommended wire strip length is 7.5mm.



CIRCULAR

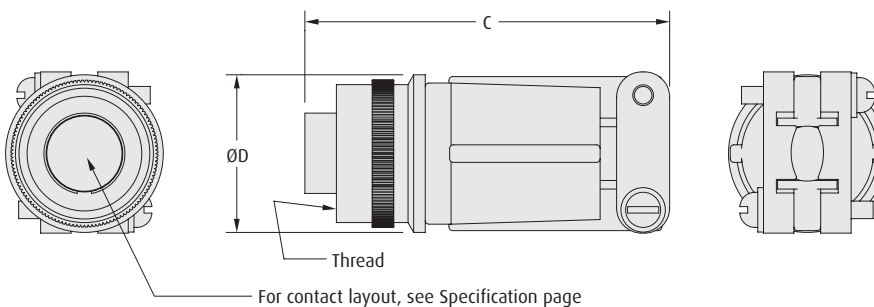
CABLE CONNECTOR



SHELL SIZE	THREAD	A max	B max
10SL-3	5/8-24UNEF	54.10	22.76
10SL-4	5/8-24UNEF	54.10	22.76
12S-3	3/4-20UNEF	54.10	22.76
14S-2	7/8-20UNEF	54.10	25.94
14S-6	7/8-20UNEF	54.10	25.94

- Connector Kit includes internal sealing grommet (not shown here).

STRAIGHT PLUG



SHELL SIZE	THREAD	C max	ØD max
10SL-3	5/8-24UNEF	54.10	24.10
10SL-4	5/8-24UNEF	54.10	24.10
12S-3	3/4-20UNEF	54.10	25.30
14S-2	7/8-20UNEF	55.91	28.53
14S-6	7/8-20UNEF	55.91	28.53

- Connector Kit includes internal sealing grommet and rear rubber bushing (not shown here).

HOW TO ORDER

C90 - 310XX XXXX-X X

SERIES CODE

TYPE	
3101F	Cable connector with backshell
3106F	Straight plug with backshell

CONTACT GENDER

P	Male
S	Female

SHELL SIZE

10SL-3	Thread 5/8-24UNEF, 3 contacts
10SL-4	Thread 5/8-24UNEF, 2 contacts
12S-3	Thread 3/4-20UNEF, 2 contacts
14S-2	Thread 7/8-20UNEF, 4 contacts
14S-6	Thread 7/8-20UNEF, 6 contacts

All dimensions in mm.