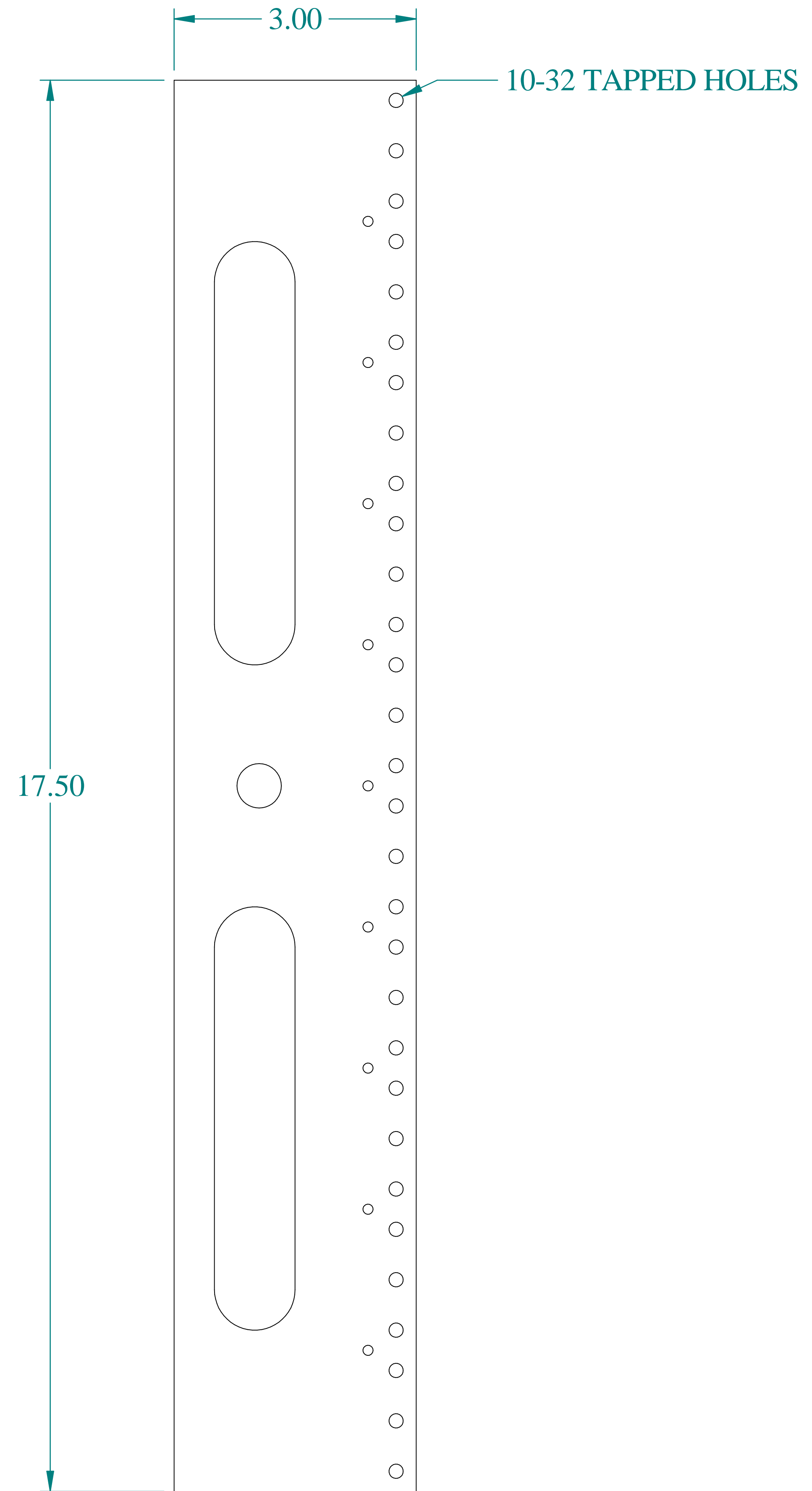
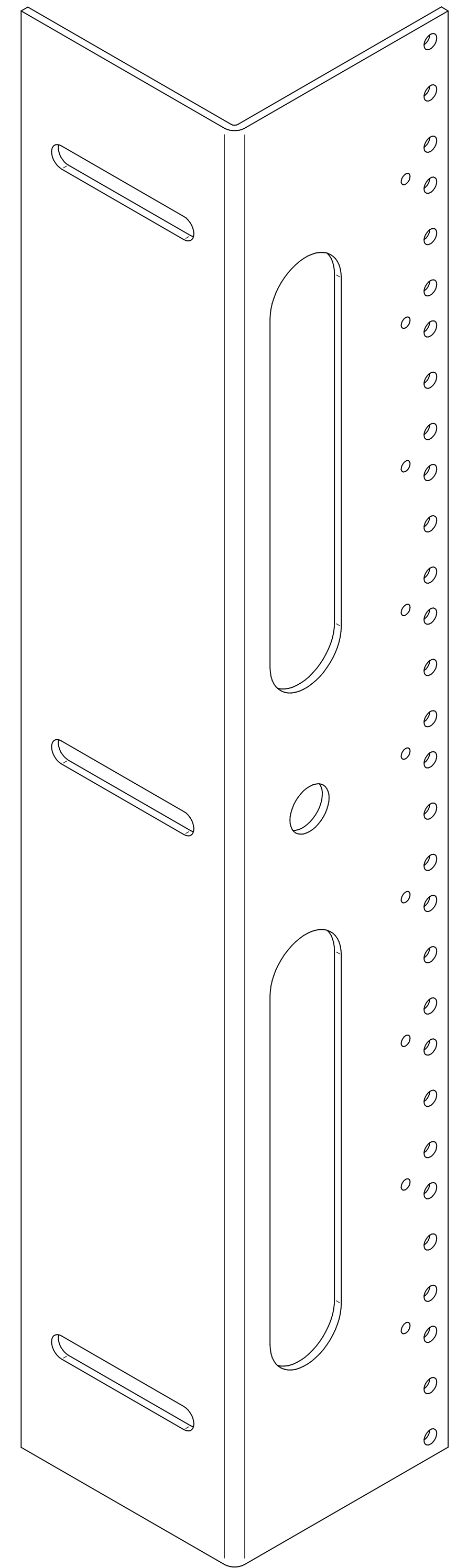


SIDE VIEW



FRONT VIEW



ISOMETRIC VIEW