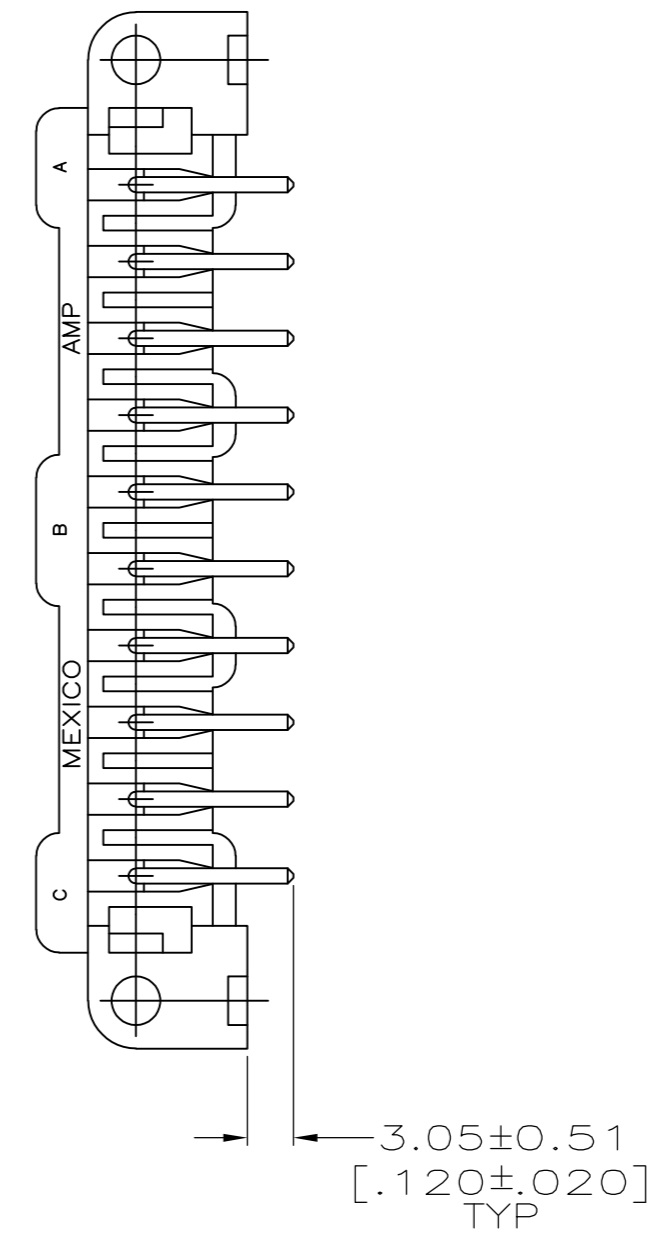
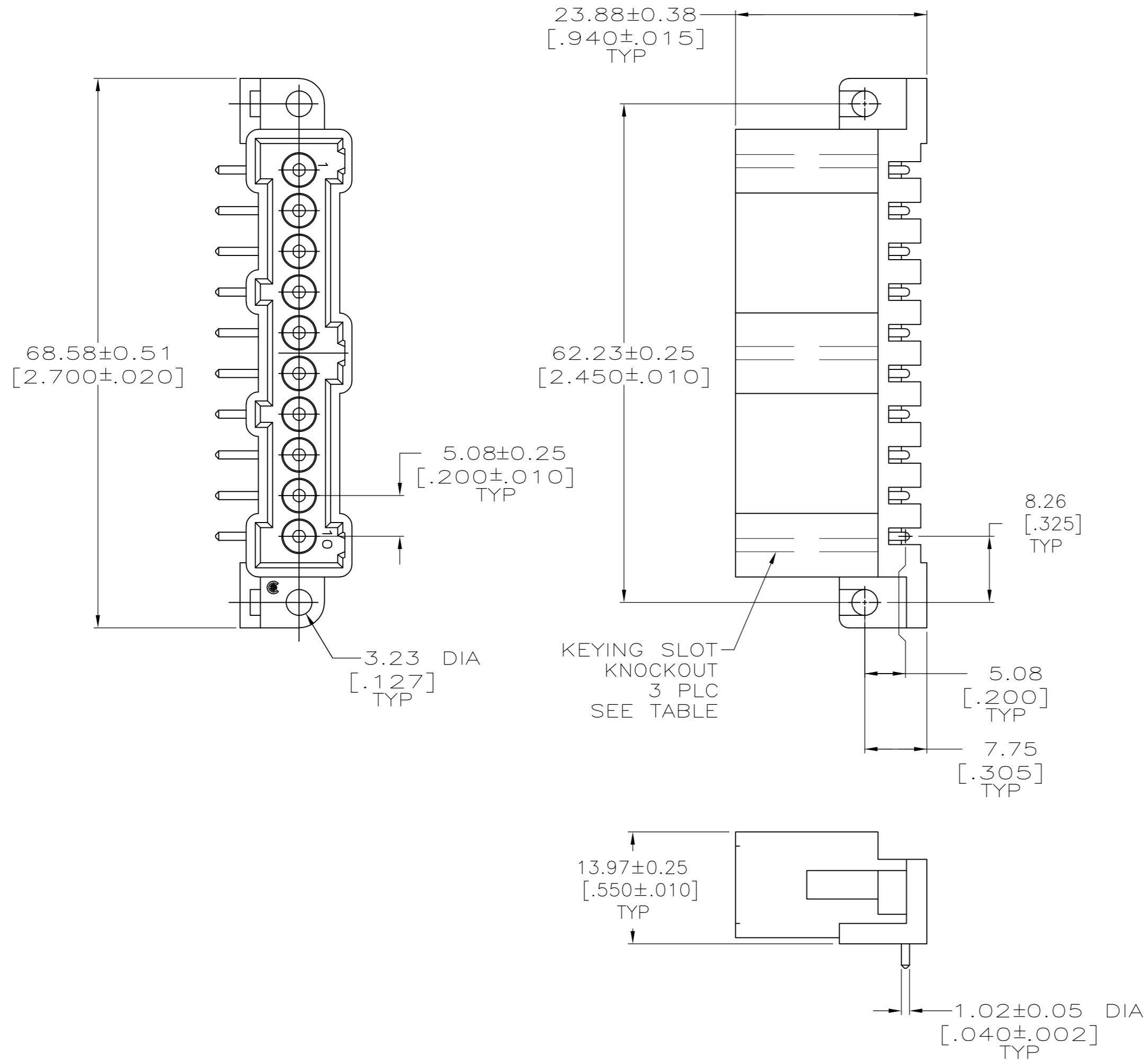


THIS DRAWING IS UNPUBLISHED. RELEASED FOR PUBLICATION
 © COPYRIGHT BY TYCO ELECTRONICS CORPORATION. ALL RIGHTS RESERVED.

LOC	DIST	REVISIONS					
FT	0	P	LTR	DESCRIPTION	DATE	DWN	APVD
		K		REVISED PER ECR-05-5072	27JUN2005	SW	GS
		K1		REVISED PER ECO-09-021826	12JAN10	KK	AEG



NOTES	MATERIAL REMOVED FROM KEYING SLOT	PART NUMBER
3 OBSOLETE	1 A & C	3-208403-5
	2 B	3-208403-4
	2 A	3-208403-3
	-	3-208403-2
	1 B	2-208403-1
	1 A	1-208403-1
	-	208403-1

- 1 TIN-LEAD PLATED CONTACTS.
- 2 TIN PLATED CONTACTS.
- 3 OBSOLETE PARTS: OBSOLETE CIS STREAMLINING PER D.RENAUD/D.SINISI

THIS DRAWING IS A CONTROLLED DOCUMENT.		DWN L.SIPE 08/25/92	Tyco Electronics Corporation Harrisburg, Pa 17105-3608	
DIMENSIONS: mm [INCHES]		CHK R.STONE 9-4-92	NAME	
TOLERANCES UNLESS OTHERWISE SPECIFIED:		APVD -	PRODUCT SPEC	
0 PLC ± -		APVD -	APPLICATION SPEC	
1 PLC ± -		WEIGHT -	SIZE A2	CAGE CODE 00779
2 PLC ± 0.13 [.005]		CUSTOMER DRAWING	DRAWING NO C=208403	RESTRICTED TO -
3 PLC ± -		SCALE 2:1	SHEET 1 OF 1	REV K1
4 PLC ± -				
ANGLES ± -				
FINISH -				