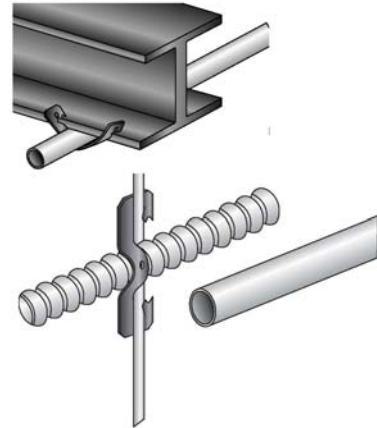


Part Number: PKX

Product Description: CONDUIT CLIP TO SUPPORT MC, AC, OR BX FROM DROP WIRE



Material Specifications

Type: High Carbon Steel, Spring Tempered

Finish: Zinc Phosphate and Oil

Color: Black

Function Specifications

Compatible Wires and Cables

AC/MC CABLE (OD): See current catalog for installation configurations

Drop Wire: # 8 to #12

Plain Rod (in):

Threaded Rods and Bolts

Tapped Holes:

Clearance Holes (in):

Threaded Rod Size (in):

Compatible Conduit

EMT Size (in):

Rigid/IMC (in):

Compatible Flanges and Studs

Flange Size (in):

Metal Stud Size (ins):

Static Load Rating

Vertical (lbs): Positioning Only

Horizontal (lbs): Positioning Only

Other

Codes and Regulatory

Regulatory Certifications: -

Country of Origin: US

Packaging

General Packaging: Cardboard Box

Box Size: 7.5 X 4.25 X 3.313

Pieces per Package: 100

Other Box Features: Fold out handle

Document Information

Created By: DBLA

Checked By: DJW

Approved By: KLN

Customer Specification #: C11224

Revision Level: 01

ECN #: GAECN01482

Date: 12/10/2013