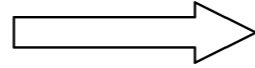


- NOTE 1. LEAD CO-PLANARITY SHALL BE 0.1mm MAX.
 2. EMBOSSED CARRIER TAPE PACKAGING SHALL BE APPLIED TO THIS PRODUCT. SEE NEXT PAGE FOR DETAILS.
 3. FOR MODIFICATION ETC. PREVENTIVE HOLE FOR SINK MARK MAY BE ADDED ACCORDING TO CIRCUMSTANCES.
 4. THE DIMENSIONS IN PARENTHESES ARE FOR REFERENCE.

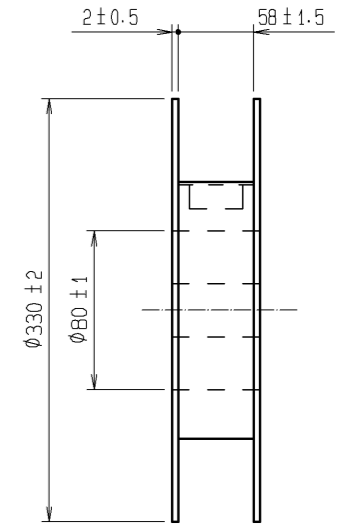
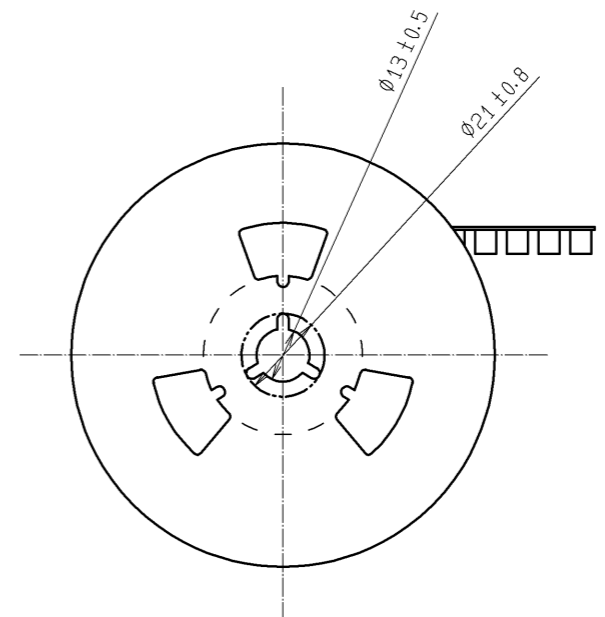
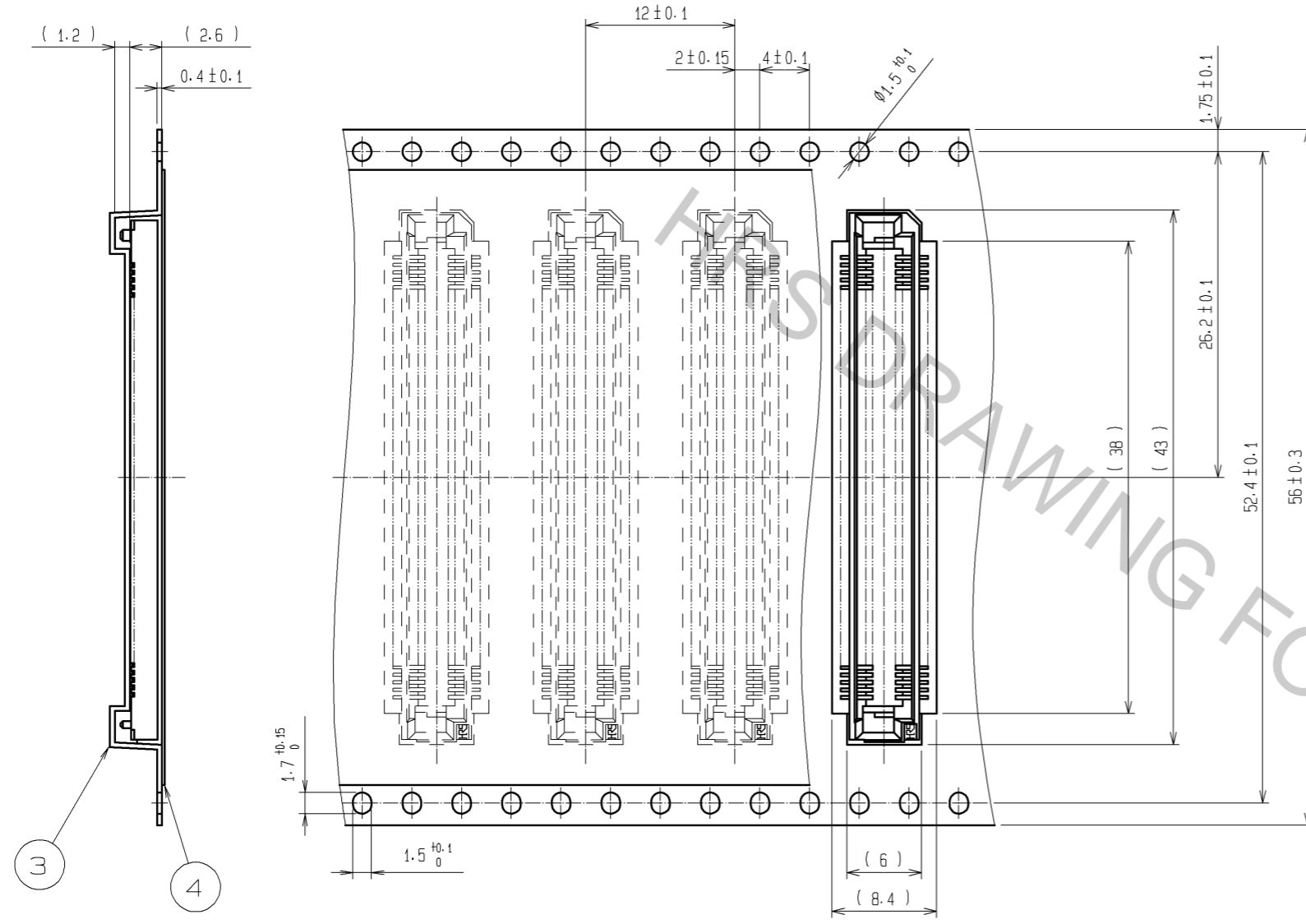
4	POLYESTER	(TOP COVER TAPE)	2	PHOSPHOR BRONZE	CONTACT AREA:GOLD 0.1μm min.		
3	POLYSTYRENE	(EMBOSSED CARRIER TAPE)			LEAD AREA:GOLD FLASH		
1	PPS	LIGHT BROWN (UL94V-0)			UNDER PLATING:NICKEL 1.5μm min.		
NO.	MATERIAL	FINISH . REMARKS	NO.	MATERIAL	FINISH . REMARKS		
UNITS mm		SCALE 5 : 1	COUNT 	DESCRIPTION OF REVISIONS	DESIGNED	CHECKED	DATE
HRS HIROSE ELECTRIC CO., LTD.		APPROVED : HS. OKAWA	12.02.07	DRAWING NO. EDC3-150677-05			
		CHECKED : HT. YAMAGUCHI	12.02.07	PART NO. FX8-120S-SV(22)			
		DESIGNED : YJ. ASAO	12.02.07	CODE NO. CL578-0206-9-22			
		DRAWN : YJ. ASAO	12.02.07			1/2	

DRAWING FOR PACKING (2:1)

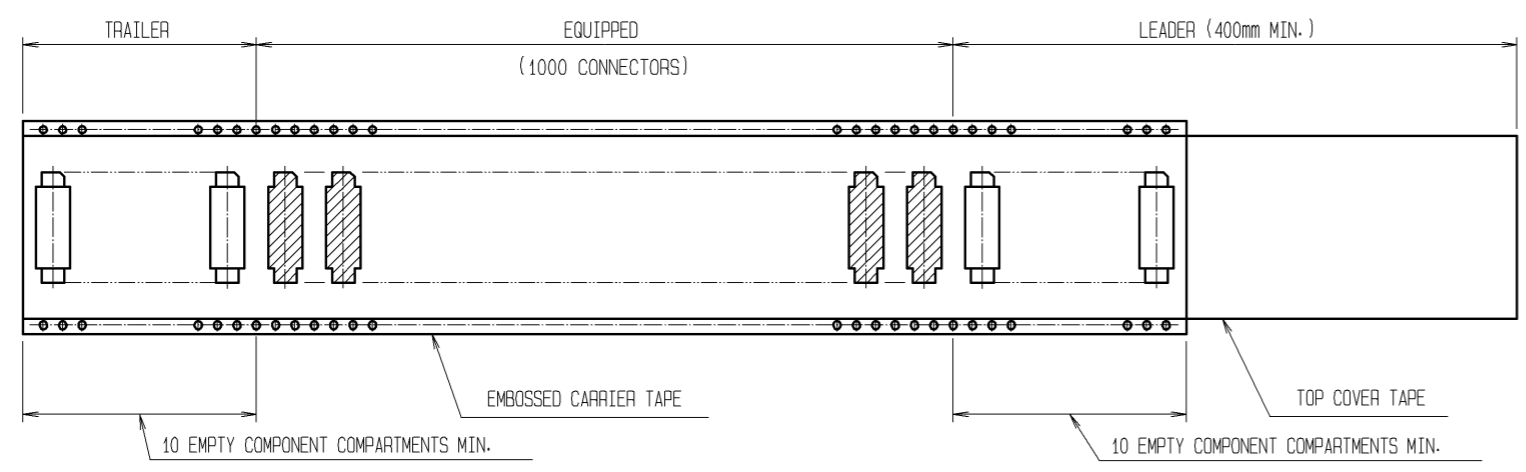
THE DIRECTION OF PULLING OUT



REEL DIMENSION(FREE)



- NOTE 1 REEL : 1000 CONNECTORS.
 2 THE DIMENSIONS IN PARENTHESES ARE FOR REFERENCE.



HRS	DRAWING NO.	EDC3-150677-05	2/2
	PART NO.	FX8-120S-SV(22)	
	CODE NO.	CL578-0206-9-22	

Apr.1.2017 Copyright 2017 HIROSE ELECTRIC CO., LTD. All Rights Reserved.