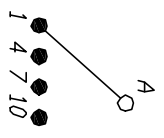
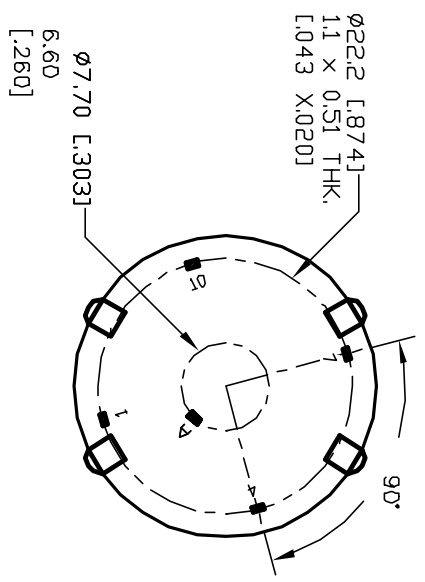
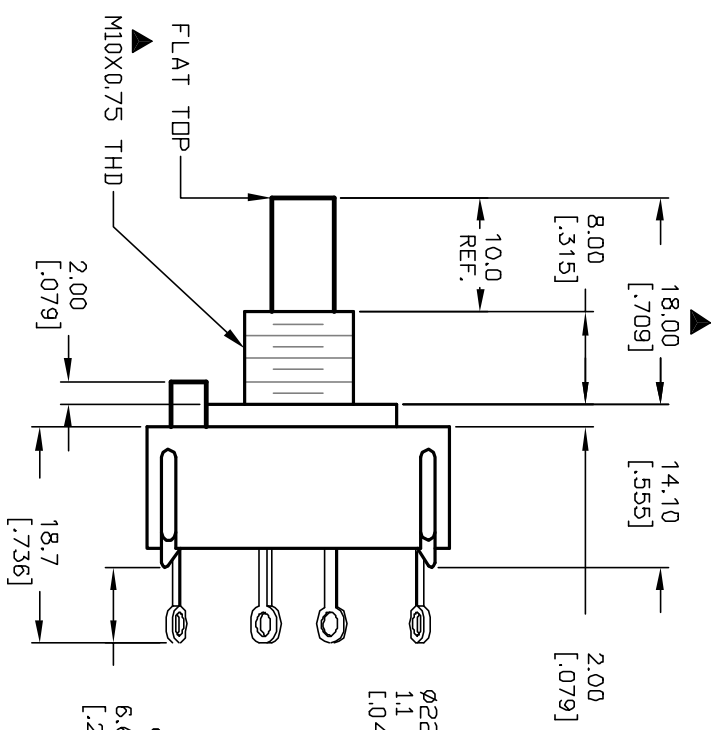
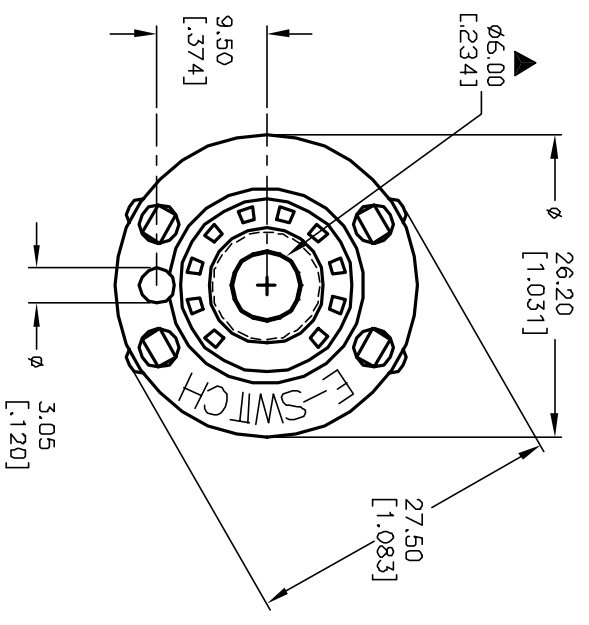
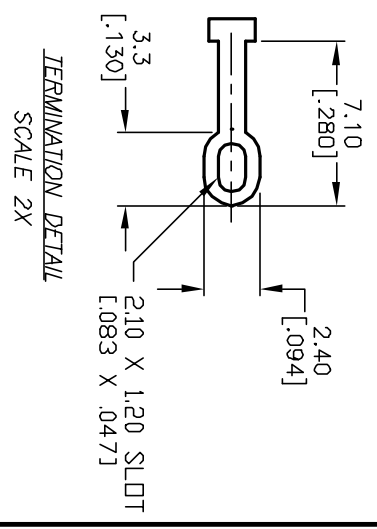


- NOTES:
1. ALL DIMENSION IN MM [INCH]
  2. GENERAL TOLERANCE: X.X=±0.4  
X.XX=±0.25
  3. TERM. NOS. FOR REF. ONLY
  4. CONTACT RATING SWITCHING: 150mA, 250V AC/DC  
350mA, 110V AC/DC
  5. CONTACT RATING (NON-SWITCHING) 5A
  6. OPERATING FORCE: 425±100 CM/STANDARD
  7. OPERATING TEMP: -30° to 85°C
  - ▲ 8. CIRCUIT SP: 4 POSITIONS, 90° INDEX.
  - ▲ 9. DIELECTRIC STRENGTH 1000V RMS min. @ SEA LEVEL
  - ▲ 10. DESIGNATE MAJOR DIMENSIONS
  - ▲ 11. SUPPLIED LOCK NUT AND WASHER (NOT SHOWN).



CONTACT CONFIGURATION  
Timing: (BBM) Non-Shorting



B	12441	REMOVED DIMENSION	9/23/02	CJB
A	12434	RELEASED	9/19/02	CJB
REV.	ECN No.	DESCRIPTION	DATE	CHKD

TITLE		SCALE	DATE	DR	DWG	REV
KC-58-B (10.0mm)-02-N-L-S		1.5:1	9/19/02	CJB	G510995	B

**E-SWITCH®**

THE INFORMATION CONTAINED IN THIS DOCUMENT IS PROPRIETARY TO E-SWITCH AND IS NOT TO BE COPIED OR TRANSFERRED