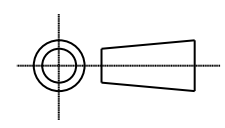


| ISS. | DATE | E.C.N. | DESCRIPTION |
|------|-----------|--------|-------------|
| 1 | 17-Aug-06 | | FIRST ISSUE |

© 2008 CARCLO
ALL DIMENSIONS IN mm



CARCLO TECHNICAL PLASTICS (SLOUGH)
111 BUCKINGHAM AVE, SLOUGH
SL1 4PF, ENGLAND
TEL: +44 1753 575011 FAX: +44 1753 811359
e-mail: design@carclo-optics.com}

CUSTOMER DRAWING

- NOTES:
1. MATERIAL - UV STABILISED POLYCARBONATE
2. INCLUSIONS SPECIFIED TO BS4301

GENERAL TOLERANCES (UNLESS STATED)

| LINEAR | ANGULAR |
|---------------|---------------|
| X +/- 0.25 | X +/- 1° |
| X.X +/- 0.1 | X.X +/- 0.5° |
| X.XX +/- 0.05 | X.XX +/- 0.1° |

CUSTOMER

CARCLO

TITLE

WIDE CIRCULAR 0.8MM
OFFSET FOCUS 20MM DIA OPTIC

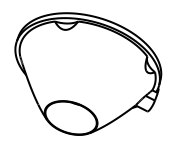
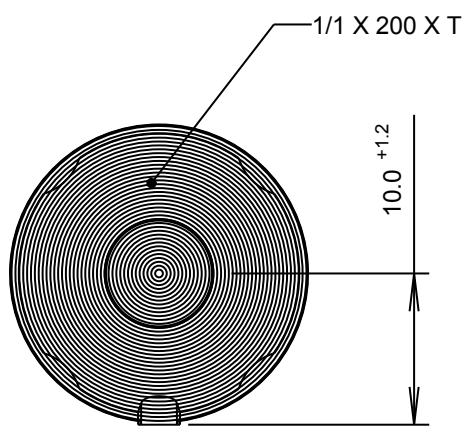
DRAWN **AJD** DATE **17-Aug-06**

CHK'D DATE

APP'D DATE

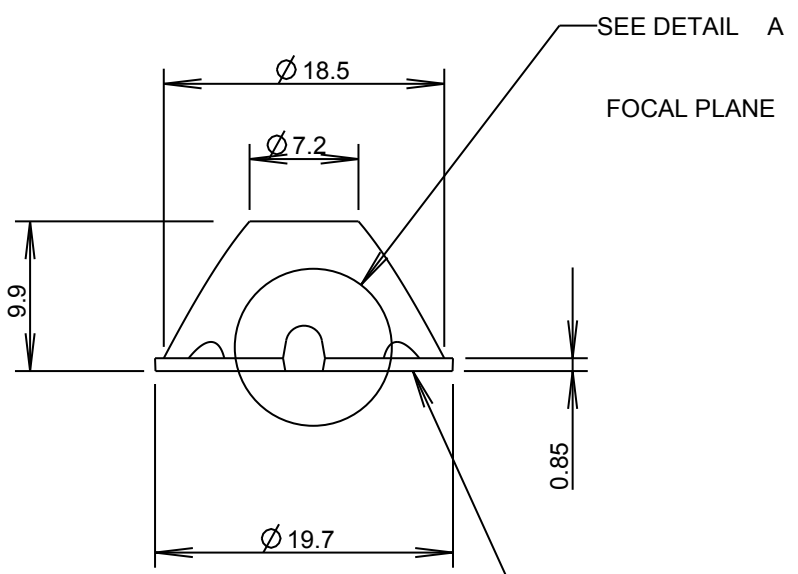
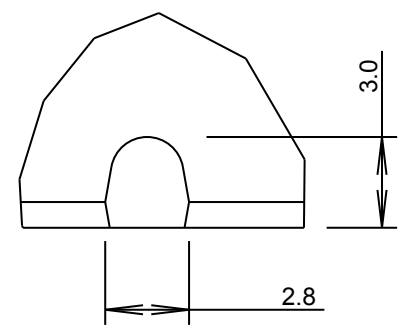
SCALE **2:1** CARCLO PART No. **10209**

SIZE **A4** CARCLO DRG. No. **60441** SHEET **1 OF 1**



3D VIEW
SCALE 1:1

DETAIL A
SCALE 4:1



CIRCULAR RIPPLE SURFACE