

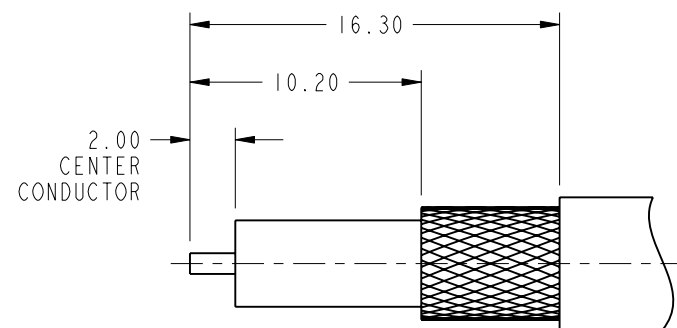
NOTES:

1. MATERIALS AND FINISHES:
 BODIES & SLEEVE - BRASS, NICKEL PLATING
 CONTACT & RETAINING RING - BeCu, GOLD PLATING
 INSULATORS - PTFE, NATURAL
 FERRULE - COPPER TUBING, NICKEL PLATING
2. ELECTRICAL:
 A. IMPEDANCE: 50 OHM
 B. FREQUENCY RANGE: DC - 4 GHz
 C. VSWR: 1.30 MAX.
 D. DIELECTRIC WITHSTANDING VOLTAGE: 1000 VRMS, MIN.
3. MECHANICAL:
 A. DURABILITY: 500 CYCLES MIN.
 B. TEMPERATURE RANGE: -65° C TO +165° C
4. PACKAGING:
 A. QUANTITY: SINGLE PACK
 B. MARKING: BAG TO BE MARKED
 "AMPHENOL RF, 903-370P-51S, AND DATE CODE"
5. CABLE ASSEMBLY INSTRUCTIONS:
 A. TRIM CABLE AS SHOWN.
 B. SLIDE FERRULE ONTO THE CABLE AND LEAD CABLE THROUGH BODY-ASSEMBLY
 C. SOLDER THE CONTACT TO THE CABLE
 D. ASSEMBLE THE INSULATOR TO THE SUB-ASSEMBLY.
 E. FIT THE BODY-ASSEMBLY TO THE SUB- ASSEMBLY.
 F. CRIMP FERRULE WITH 0.128" HEX.

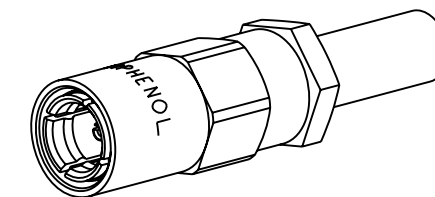
THIRD ANGLE PROJ.

REVISIONS

REV	DESCRIPTION	DATE	ECO	APPR
A	RELEASE TO MFG.	09-Dec-06	--	ANDY.C
D	REDRAWN TO UPDATE FORMAT	11-Dec-08	47174	--
E	REDRAWN IN PRO-E	29-Apr-15	49810	KR

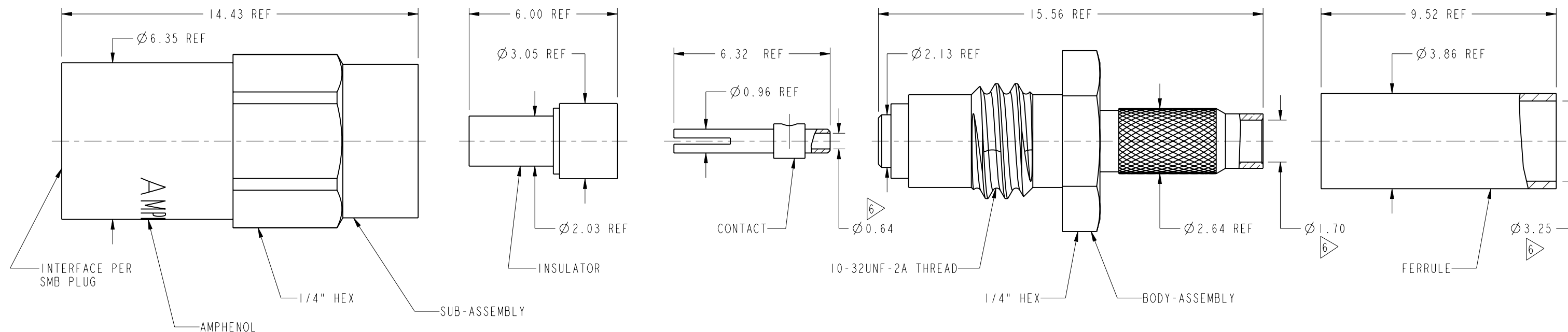


RECOMMENDED CABLE STRIPPING DIMENSIONS



SCALE 2.500

SHOWS CABLE ENTRY DIMENSIONS.



CUSTOMER OUTLINE DRAWING

ALL OTHER SHEETS ARE FOR INTERNAL USE ONLY

UNLESS OTHERWISE SPECIFIED, DIMENSIONS ARE IN METRIC AND TOLERANCES ARE: <0.5mm ±0.05mm 0.5 - 6mm ±0.1mm 6 - 30mm ±0.2mm 30 - 120mm ±0.3mm ANGLES ±1°	MATERIAL	DRAWN	DATE	TITLE SMB CRIMP PLUG (FOR RG-174, 188 & 316/U CABLE)	Amphenol RF www.amphenolrf.com
	SEE NOTES	S. DUAN	29-Apr-15		
NOTICE - These drawings, specifications, or other data (1) are, and remain the property of Amphenol corp. (2) must be returned upon request; and (3) are confidential and not to be disclosed to any person other than those to whom they are given by Amphenol Corp. the furnishing of these drawings, specifications, or other data by Amphenol Corp., or to any other person to anyone for any purpose is not to be regarded by implication or otherwise in any manner licensing, granting rights to permitting such holder or any other person to manufacture, use or sell any product, process or design, patented or otherwise, that may in any way be related to or disclosed by said drawings, specifications, or other data.	REFERENCE	ENGINEER	DATE	SCALE: 6.3:1.0	DRAWING NO.903-370P-51S ITEM NO.903-370P-51S PART NO.903-370P-51S
	EAR #	TONY	09-Dec-06	SHEET 2 OF 2	
	CONFIGURATION LEVEL: In Work	APPROVED	DATE		DWG SIZE
FINISH	S. HSIEH	14-May-15		B	E