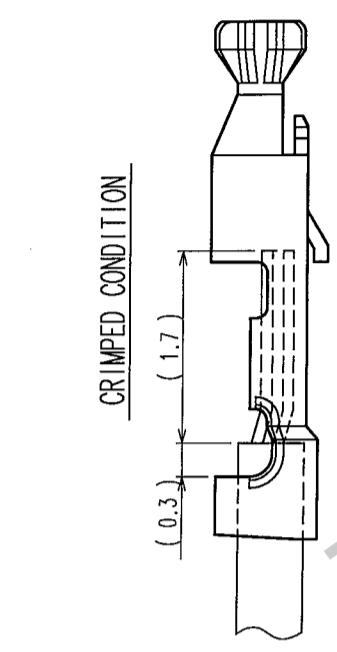
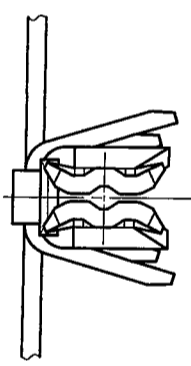
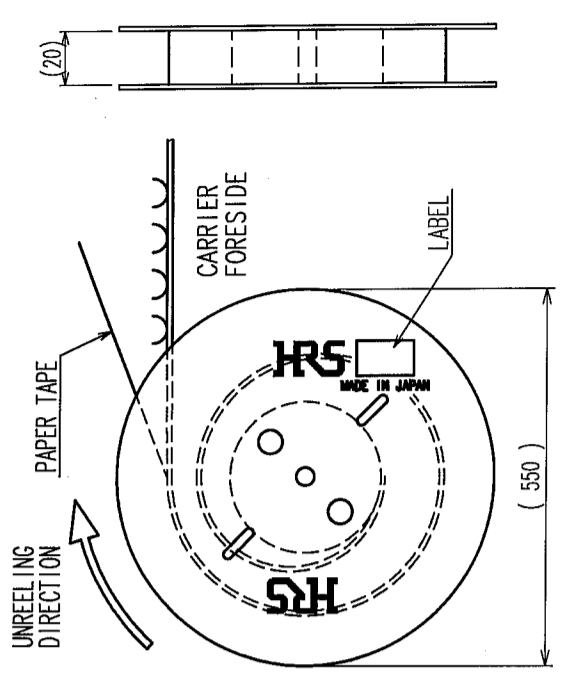


COUNT	DESCRIPTION OF REVISIONS	BY	CHKD	DATE	COUNT	DESCRIPTION OF REVISIONS	BY	CHKD	DATE
△					△				
△					△				
△					△				

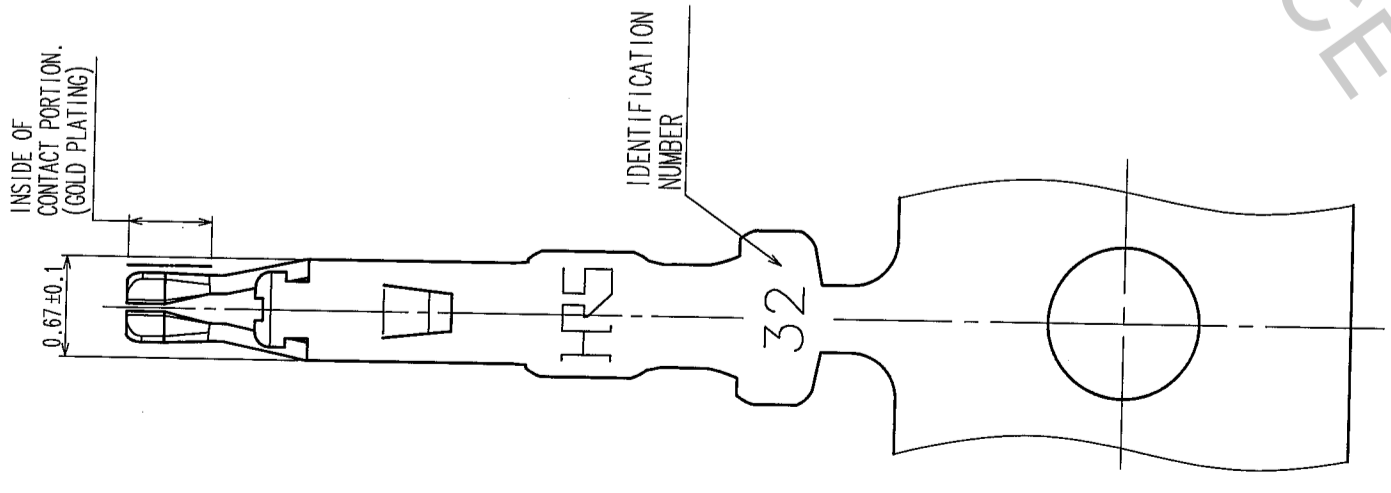
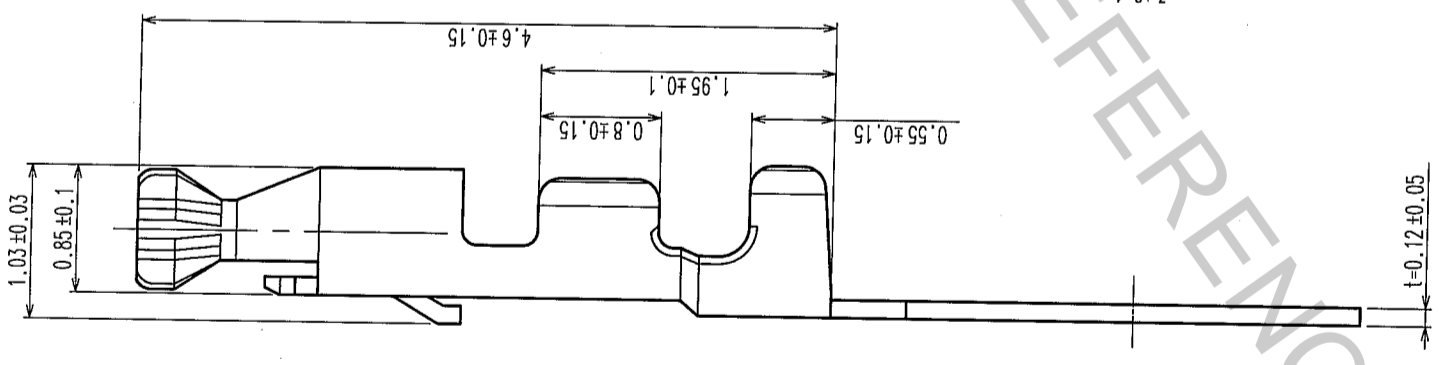
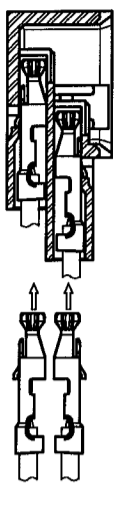
A B C D E F



NOTES 1 : 1RL=20000 PIN.
 2 : APPLICABLE INSULATOR OUTER DIA=φ0.60mm MAX.
 3 : CONTACT PLATING SPECIFICATION
 CONTACT AREA : GOLD PLATED 0.1μ m min.
 OUTSIDE OF BARREL : TIN PLATED 0.5μ m min.
 UNDER PLATING : NICKEL PLATED 0.5μ m min.
 4 : REEL SPECIFICATIONS ARE SHOWN BELOW.



5 : DIRECTION OF CONTACT INSTALLATION INTO SOCKET IS AS SHOWN BELOW.



TO

NO.	MATERIAL	FINISH, REMARKS	NO.	MATERIAL	FINISH, REMARKS
1	PHOSPHOR BRONZE		3		

NO.	MATERIAL	FINISH, REMARKS
CODE NO. (OLD)		

DRAWN	DESIGNED	CHECKED	APPROVED	RELEASED
F. Matsuki	T. Homayama	H. Imehara	J. Oae	
'05.07.22	'05.07.23	'05.07.26	'05.07.29	

DRAWING NO.	PART NO.
EDC3-303437-01	DF24-3234SCFA
SCALE	CODE NO.
20 : 1	CL687-3004-0
UNITS	
mm	