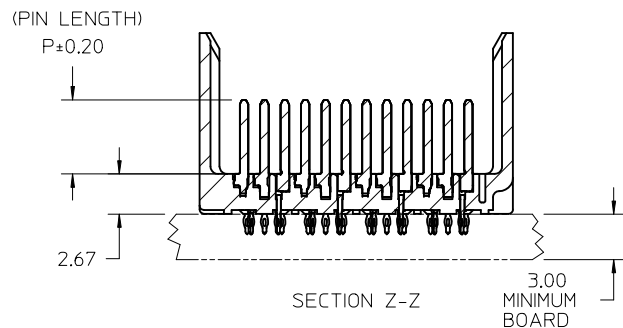
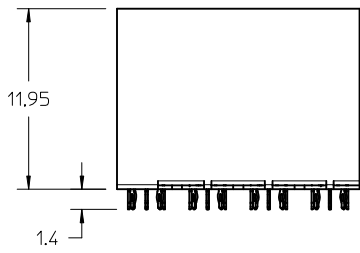
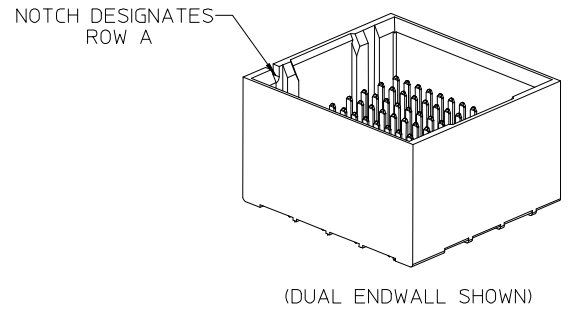


BACKPLANE HOLE PATTERN  
(CONNECTOR SIDE)



SECTION Z-Z  
3.00 MINIMUM BOARD



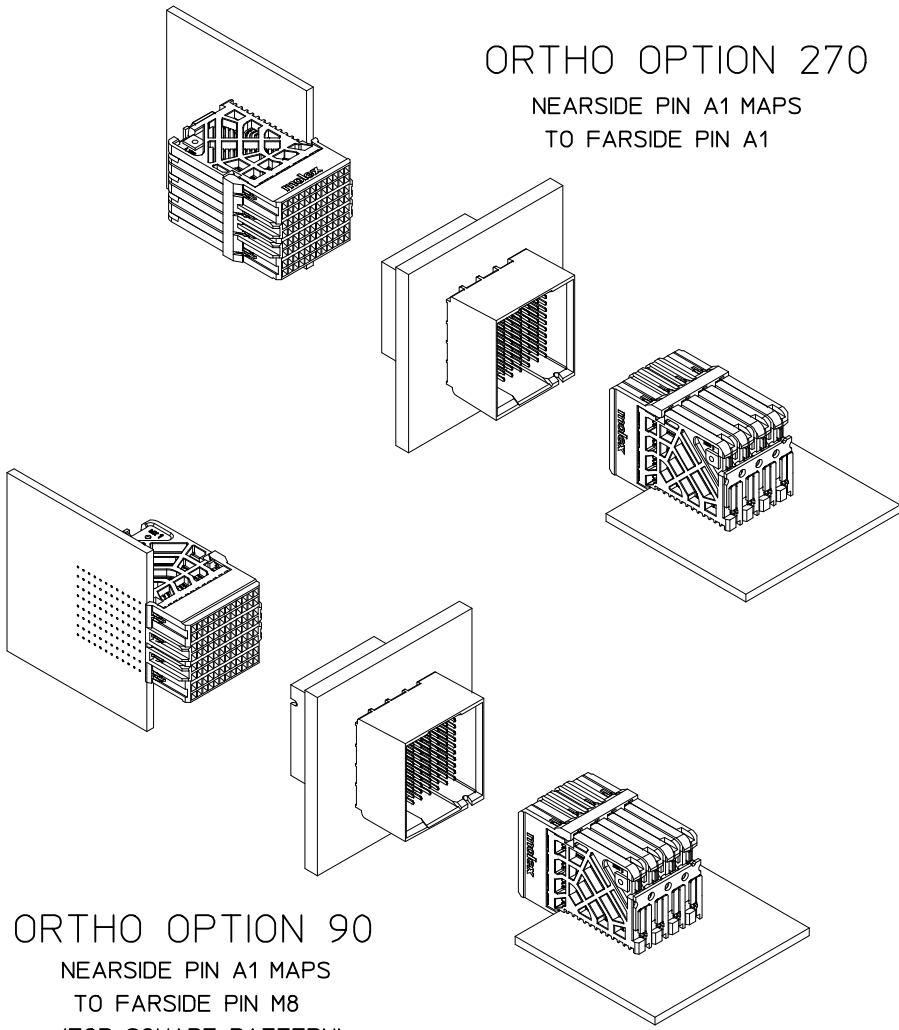
- NOTES:
- MATERIALS: HOUSING - LIQUID CRYSTAL POLYMER (LCP)  
GLASS-FILLED, UL94V-0  
TERMINALS - HIGH PERFORMANCE COPPER ALLOY  
SELECTIVE TIN OR TIN-LEAD ON PCB TAILS.  
NICKEL OVERALL.
  - FINISH: 30μ MIN GOLD IN CONTACT AREA.
  - REFER TO MOLEX PRODUCT SPECIFICATION PS-76060-999 FOR PERFORMANCE SPECIFICATIONS AND ADDITIONAL PCB INFORMATION.
  - THIS PART CONFORMS TO CLASS B REQUIREMENTS OF COSMETIC SPEC PS-45499-002.
  - PRODUCT IS PACKAGED PER PK-70873-7706.
  - SEE SHEETS 2 AND 3 FOR PART NUMBERS AND ORTHOGONAL PIN MAPPING.
  - REFER TO MOLEX SALES DRAWING SD-76850-001 FOR THE MATING RECEPTACLES.
  - REFER TO MOLEX ROUTING GUIDE AS-76850-990 FOR ADDITIONAL PCB LAYOUT AND ROUTING RECOMMENDATIONS.
  - THESE DIMENSIONS REPRESENT THE AREA NEEDED TO ACCOMMODATE CONNECTOR INSERTION AND REPAIR ON THE PC BOARD. THIS DOES NOT REPRESENT THE ACTUAL PERIMETER OF THE CONNECTOR.

UPDATED VIEWS EC NO: UCP2014-2698 DRWNR:RZV101 2013/04/04 CHKD: APPR:TELO 2015/03/24 REV:	QUALITY SYMBOLS	GENERAL TOLERANCES (UNLESS SPECIFIED)	DIMENSION STYLE MM ONLY	SCALE 4:1	DESIGN UNITS METRIC	THIRD ANGLE PROJECTION
	▽=0	4 PLACES ± --- ± ---	mm INCH	DRAWN BY JLAURX	DATE 2008/12/09	TITLE <b>IMPACT 4 PAIR HEADER ORTHOGONAL ASSEMBLY UNGUIDED SALES DRAWING</b> <b>molex</b> DOCUMENT NO. <b>SD-76845-001</b> SHEET NO. <b>1 OF 3</b>
	▽=0	3 PLACES ± --- ± ---	± 0.13 ± ---	CHECKED BY JMENDOZA	DATE 2010/01/13	
	▽=0	2 PLACES ± 0.13 ± ---	± 0.25 ± ---	APPROVED BY JB INGHAM	DATE 2010/01/14	
▽=0	1 PLACE ± 0.25 ± ---	± --- ± ---	MATERIAL NO.	SIZE C		
		0 PLACE ± --- ± ---	ANGULAR ±1/2°	DRAFT WHERE APPLICABLE MUST REMAIN WITHIN DIMENSIONS		THIS DRAWING CONTAINS INFORMATION THAT IS PROPRIETARY TO MOLEX INCORPORATED AND SHOULD NOT BE USED WITHOUT WRITTEN PERMISSION

MATERIAL NUMBER	# OF COLUMNS	# OF DIFF PAIR	DIM A	DIM B	DIM C
76845-*60*	6	24	12.0	10.00	10.40
76845-*61*	6	24	13.4	10.00	10.40
76845-*62*	6	24	14.8	10.00	10.40
76845-*63*	6	24	13.4	10.00	10.40
76845-*80*	8	32	16.1	14.05	14.45
76845-*81*	8	32	17.5	14.05	14.45
76845-*82*	8	32	18.9	14.05	14.45
76845-*83*	8	32	17.5	14.05	14.45
76845-*10*	10	40	20.1	18.10	18.50
76845-*11*	10	40	21.5	18.10	18.50
76845-*12*	10	40	22.9	18.10	18.50
76845-*13*	10	40	21.5	18.10	18.50

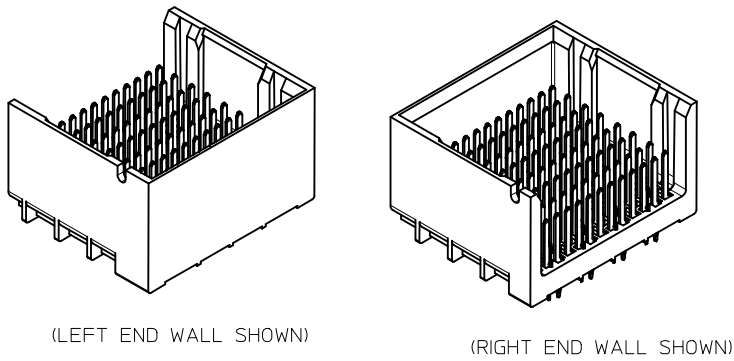
## ORTHO OPTION 270

NEAR SIDE PIN A1 MAPS  
TO FAR SIDE PIN A1



## ORTHO OPTION 90

NEAR SIDE PIN A1 MAPS  
TO FAR SIDE PIN M8  
(FOR SQUARE PATTERN)



76845-\*\*\*\*

MODULE & TAIL PLATING TYPE \_\_\_\_\_ PIN LENGTH (P)

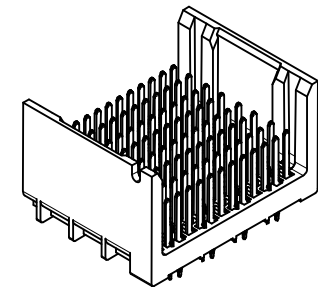
0 = UNGUIDED, TIN/LEAD  
1 = UNGUIDED, TIN

# OF COLUMNS \_\_\_\_\_

6 = 6 COLUMN  
8 = 8 COLUMN  
1 = 10 COLUMN

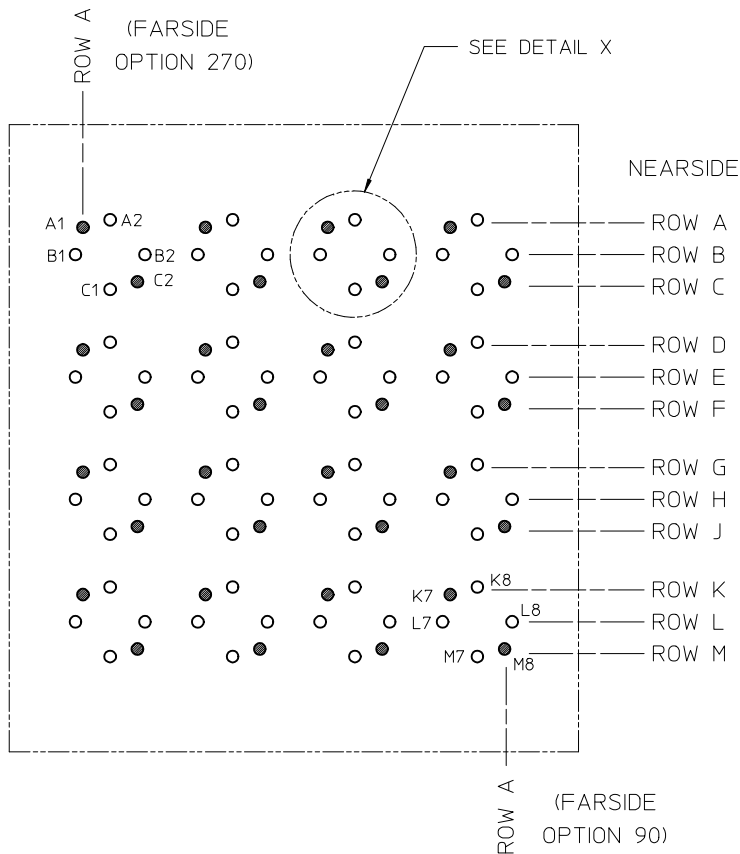
ENDWALL OPTIONS

0 = OPEN ENDS  
1 = LEFT ENDWALL  
2 = DUAL ENDWALL  
3 = RIGHT ENDWALL

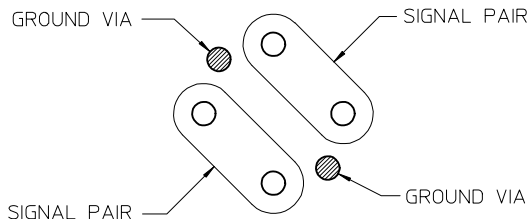


(OPEN END OPTION SHOWN)

SEE SHEET 1 EC NO: UCP2014-2698 DRW: RARI ZV101 2013/04/04 CHKD: APPR: TELO 2015/03/24 REV:	QUALITY SYMBOLS	GENERAL TOLERANCES (UNLESS SPECIFIED)	DIMENSION STYLE MM ONLY	SCALE 4:1	DESIGN UNITS METRIC	THIRD ANGLE PROJECTION
	▽=0	mm INCH	DRAWN BY DATE JLAURX 2008/12/09	TITLE	IMPACT 4 PAIR HEADER ORTHOGONAL ASSEMBLY UNGUIDED SALES DRAWING	
	▽=0	4 PLACES ± --- ± ---	CHECKED BY DATE JMENDOZA 2010/01/13	<b>molex</b> DOCUMENT NO. SD-76845-001 SHEET NO. 2 OF 3		
	▽=0	3 PLACES ± --- ± ---	APPROVED BY DATE JB INGHAM 2010/01/14			
		2 PLACES ± 0.13 ± ---	MATERIAL NO.		THIS DRAWING CONTAINS INFORMATION THAT IS PROPRIETARY TO MOLEX INCORPORATED AND SHOULD NOT BE USED WITHOUT WRITTEN PERMISSION	
	1 PLACE ± 0.25 ± ---	DRAFT WHERE APPLICABLE MUST REMAIN WITHIN DIMENSIONS				



MIDPLANE PCB LAYOUT



DETAIL X  
SCALE 16:1

ORTHO PIN MAPPING							
OPTION 270 (NEARSIDE - FARSIDE)							
(A1-A1)	A2-B1	(A3-D1)	A4-E1	(A5-G1)	A6-H1	(A7-K1)	A8-L1
B1-A2	B2-C1	B3-D2	B4-F1	B5-G2	B6-J1	B7-K2	B8-M1
C1-B2	(C2-C2)	C3-E2	(C4-F2)	C5-H2	(C6-J2)	C7-L2	(C8-M2)
(D1-A3)	D2-B3	(D3-D3)	D4-E3	(D5-G3)	D6-H3	(D7-K3)	D8-L3
E1-A4	E2-C3	E3-D4	E4-F3	E5-G4	E6-J3	E7-K4	E8-M3
F1-B4	(F2-C4)	F3-E4	(F4-F4)	F5-H4	(F6-J4)	F7-L4	(F8-M4)
(G1-A5)	G2-B5	(G3-D5)	G4-E5	(G5-G5)	G6-H5	(G7-K5)	G8-L5
H1-A6	H2-C5	H3-D6	H4-F5	H5-G6	H6-J5	H7-K6	H8-M5
J1-B6	(J2-C6)	J3-E6	(J4-F6)	J5-H6	(J6-J6)	J7-L6	(J8-M6)
(K1-A7)	K2-B7	(K3-D7)	K4-E7	(K5-G7)	K6-H7	(K7-K7)	K8-L7
L1-A8	L2-C7	L3-D8	L4-F7	L5-G8	L6-J7	L7-K8	L8-M7
M1-B8	(M2-C8)	M3-E8	(M4-F8)	M5-H8	(M6-J8)	M7-L8	(M8-M8)

ORTHO PIN MAPPING							
OPTION 90 (NEARSIDE - FARSIDE)							
(A1-M8)	A2-L8	(A3-J8)	A4-H8	(A5-F8)	A6-E8	(A7-C8)	A8-B8
B1-M7	B2-K8	B3-J7	B4-G8	B5-F7	B6-D8	B7-C7	B8-A8
C1-L7	(C2-K7)	C3-H7	(C4-G7)	C5-E7	(C6-D7)	C7-B7	(C8-A7)
(D1-M6)	D2-L6	(D3-J6)	D4-H6	(D5-F6)	D6-E6	(D7-C6)	D8-B6
E1-M5	E2-K6	E3-J5	E4-G6	E5-F5	E6-D6	E7-C5	E8-A6
F1-L5	(F2-K5)	F3-H5	(F4-G5)	F5-E5	(F6-D5)	F7-B5	(F8-A5)
(G1-M4)	G2-L4	(G3-J4)	G4-H4	(G5-F4)	G6-E4	(G7-C4)	G8-B4
H1-M3	H2-K4	H3-J3	H4-G4	H5-F3	H6-D4	H7-C3	H8-A4
J1-L3	(J2-K3)	J3-H3	(J4-G3)	J5-E3	(J6-D3)	J7-B3	(J8-A3)
(K1-M2)	K2-L2	(K3-J2)	K4-H2	(K5-F2)	K6-E2	(K7-C2)	K8-B2
L1-M1	L2-K2	L3-J1	L4-G2	L5-F1	L6-D2	L7-C1	L8-A2
M1-L1	(M2-K1)	M3-H1	(M4-G1)	M5-E1	(M6-D1)	M7-B1	(M8-A1)

NOTE: PINOUTS SHOWN IN BALLOONS ARE GROUNDS.  
PINOUTS SHOWN ARE FOR SQUARE (8 COLUMN) PATTERN ONLY.

SEE SHEET 1 EC NO: UCP2014-2698 TDRWINARIZV101 2013/04/04 CHKD: APPR:TELO 2015/03/24	QUALITY SYMBOLS ▽=0 ▽=0 ▽=0	GENERAL TOLERANCES (UNLESS SPECIFIED)		DIMENSION STYLE <b>MM ONLY</b>		SCALE <b>8:1</b>	DESIGN UNITS <b>METRIC</b>	THIRD ANGLE PROJECTION	
		4 PLACES ± --- ± ---	mm INCH	DRAWN BY JLAURX	DATE 2008/12/09	TITLE <b>IMPACT 4 PAIR HEADER ORTHOGONAL ASSEMBLY UNGUIDED SALES DRAWING</b>		DOCUMENT NO. <b>SD-76845-001</b>	SHEET NO. <b>3 OF 3</b>
		3 PLACES ± --- ± ---		CHECKED BY JMENDOZA	DATE 2010/01/13				
		2 PLACES ± 0.13 ± ---		APPROVED BY JB INGHAM	DATE 2010/01/14				
1 PLACE ± 0.25 ± ---		ANGULAR ±1/2°		MATERIAL NO. <b>SEE CHART</b>					
0 PLACE ± --- ± ---		DRAFT WHERE APPLICABLE MUST REMAIN WITHIN DIMENSIONS		SIZE <b>C</b>		THIS DRAWING CONTAINS INFORMATION THAT IS PROPRIETARY TO MOLEX INCORPORATED AND SHOULD NOT BE USED WITHOUT WRITTEN PERMISSION			