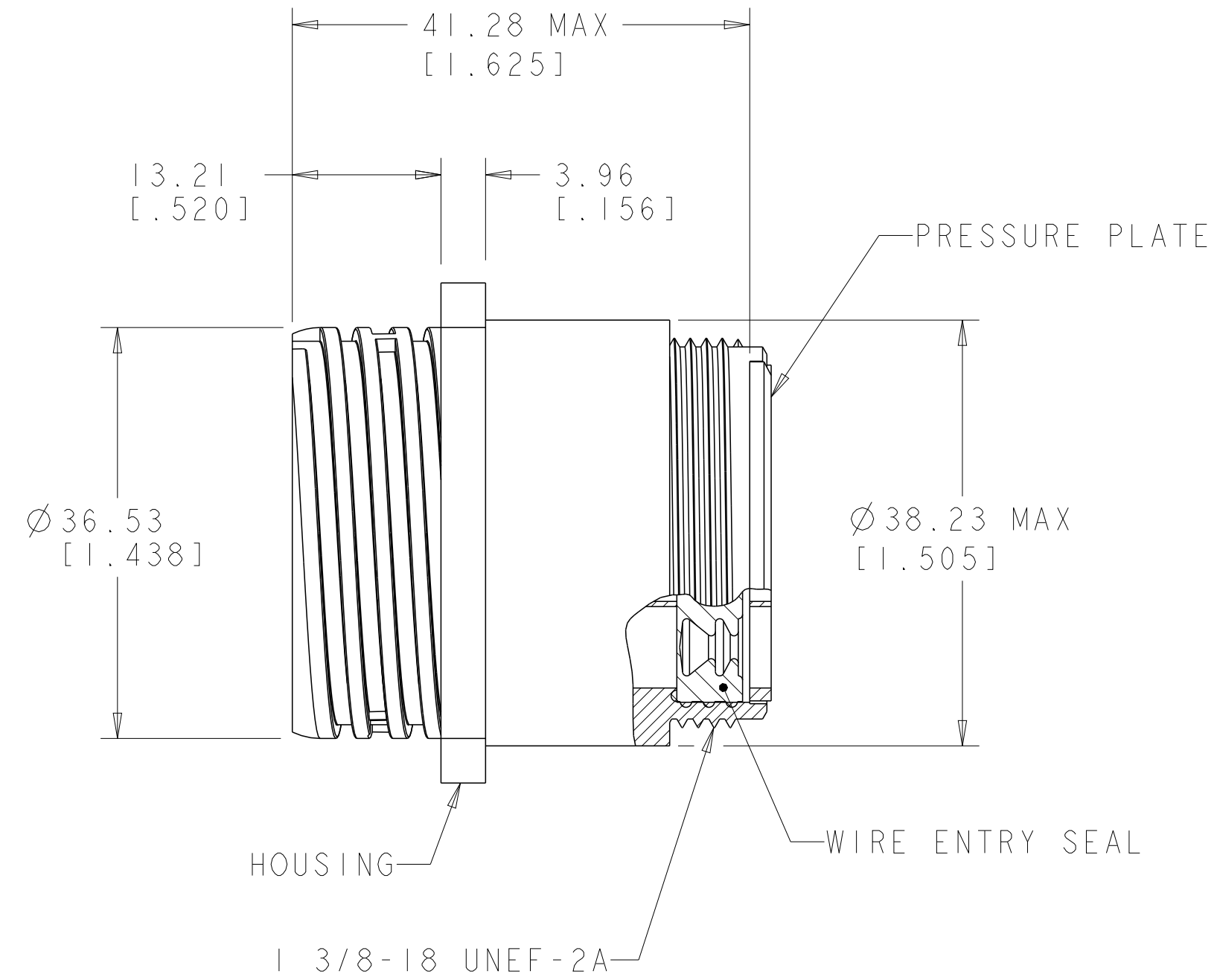
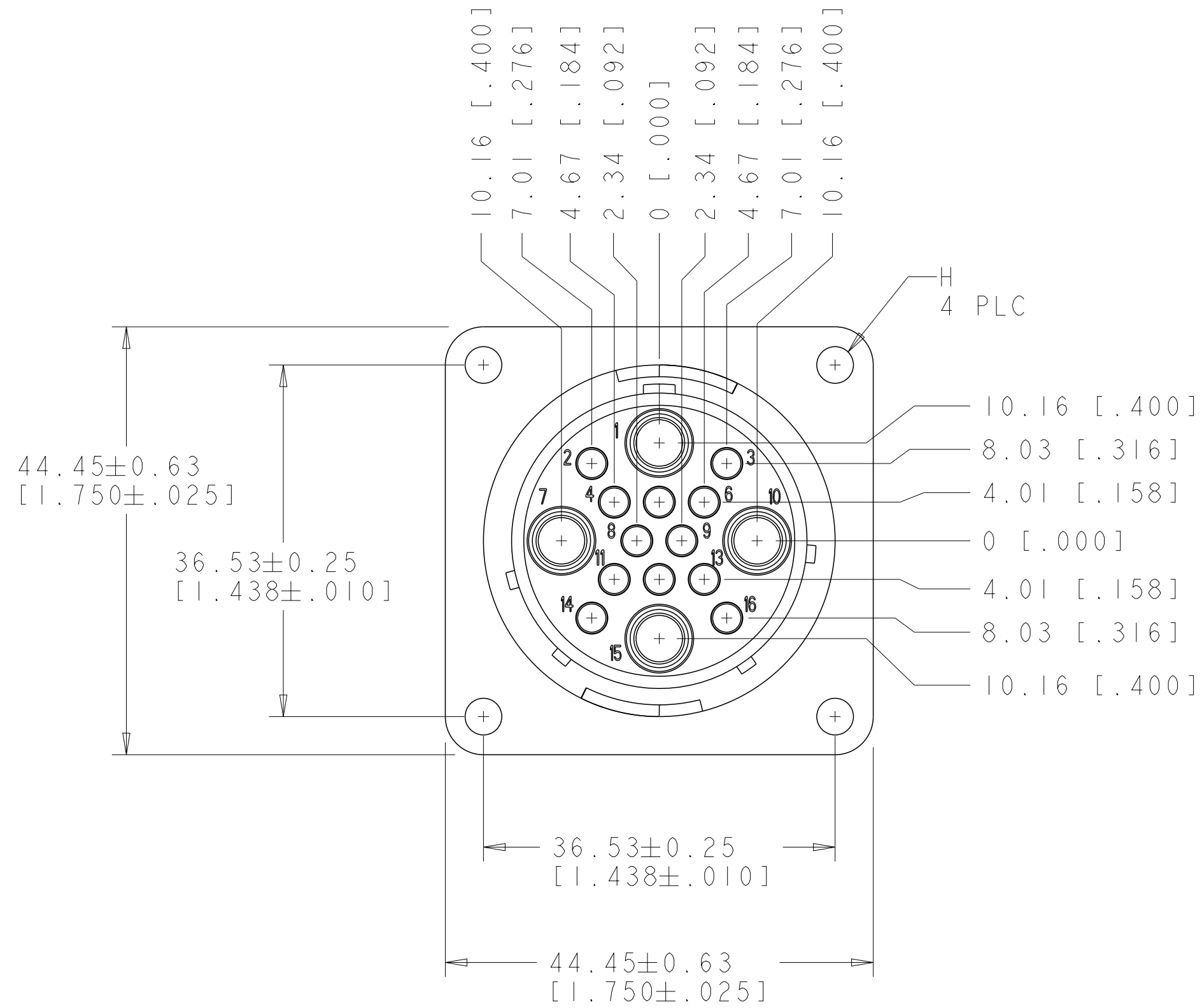
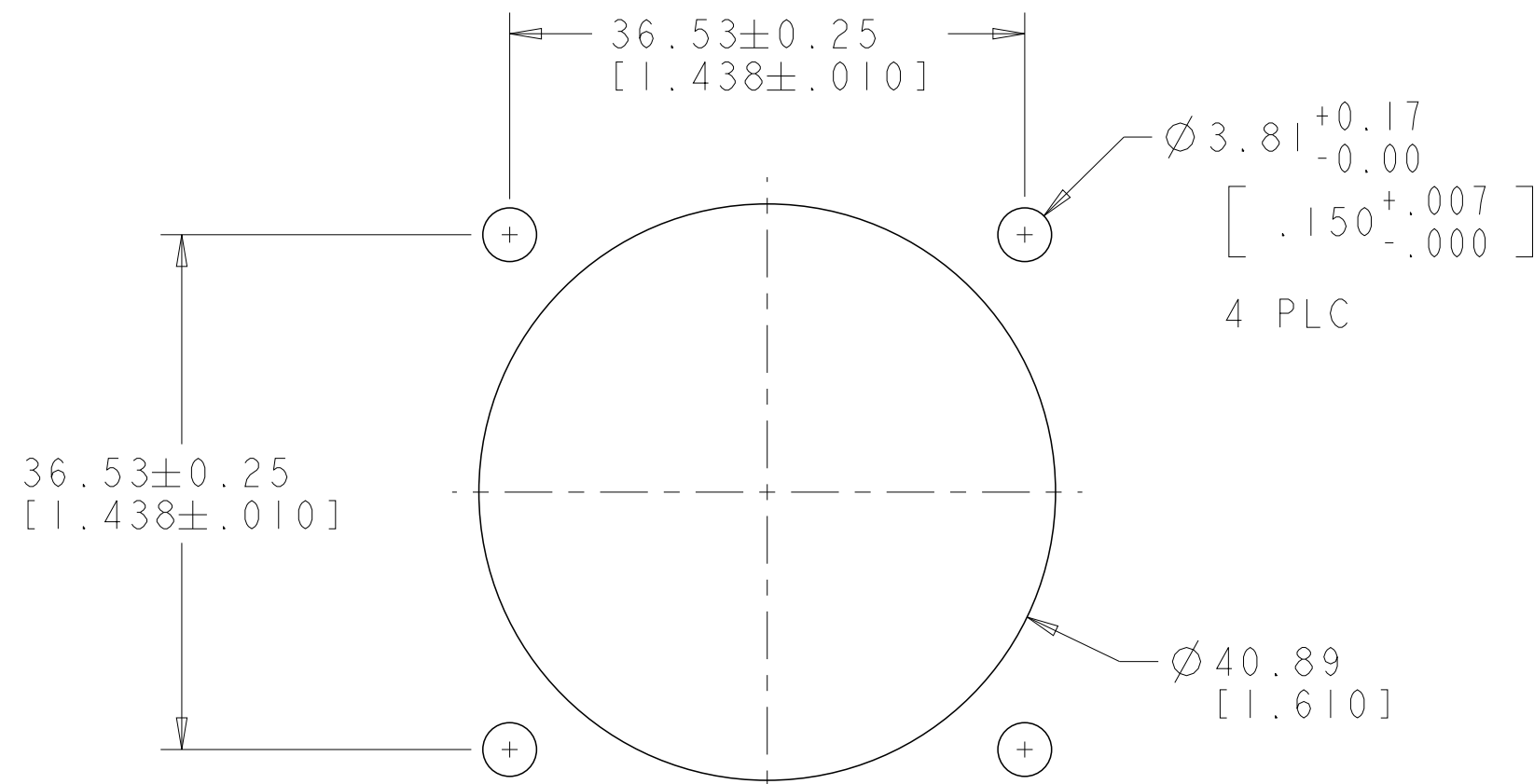


THIS DRAWING IS UNPUBLISHED. RELEASED FOR PUBLICATION
 © COPYRIGHT 20 BY - ALL RIGHTS RESERVED.

LOC		DIST		REVISIONS			
P	LTR	DESCRIPTION	DATE	DWN	APVD		
	A	NEW DRAWING PER ECO-12-018480	15NOV2012	KH	MZ		



- 1. HOUSING & PRESSURE PLATE: NYLON, BLACK.
 WIRE ENTRY SEAL: ELASTOMER, RED-IRON OXIDE.
 PERIPHERAL SEAL: ELASTOMER, GREY.
- 2. WILL ACCEPT (12) MULTIMATE PINS AND (4) POWER MALE CONTACTS.



RECOMMENDED PANEL CUTOUT

STD	3.81 ± 0.07 [.150 ± .003]	1977890-1
WIRE ENTRY SEAL	H	PART NUMBER

THIS DRAWING IS A CONTROLLED DOCUMENT.		DWN KIRAN HOLA 15NOV2012	TE Connectivity CPC SQUARE FLANGE RECEPTACLE ASSEMBLY SERIES 6, SEALED, 23-16, STANDARD SEX, UV RESISTANT
DIMENSIONS: mm [INCHES]		CHK M ZITTO 15NOV2012	
TOLERANCES UNLESS OTHERWISE SPECIFIED:		APVD M ZITTO 15NOV2012	
0 PLC ± 1 PLC ± 2 PLC ±0.02 3 PLC ± 4 PLC ± ANGLES ± FINISH		PRODUCT SPEC 108-1579 APPLICATION SPEC - WEIGHT - CUSTOMER DRAWING	
MATERIAL	△ -	SCALE 2:1	NAME SIZE CAGE CODE DRAWING NO RESTRICTED TO SHEET 1 OF 1 REV A