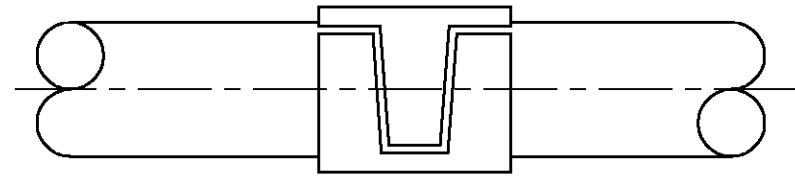
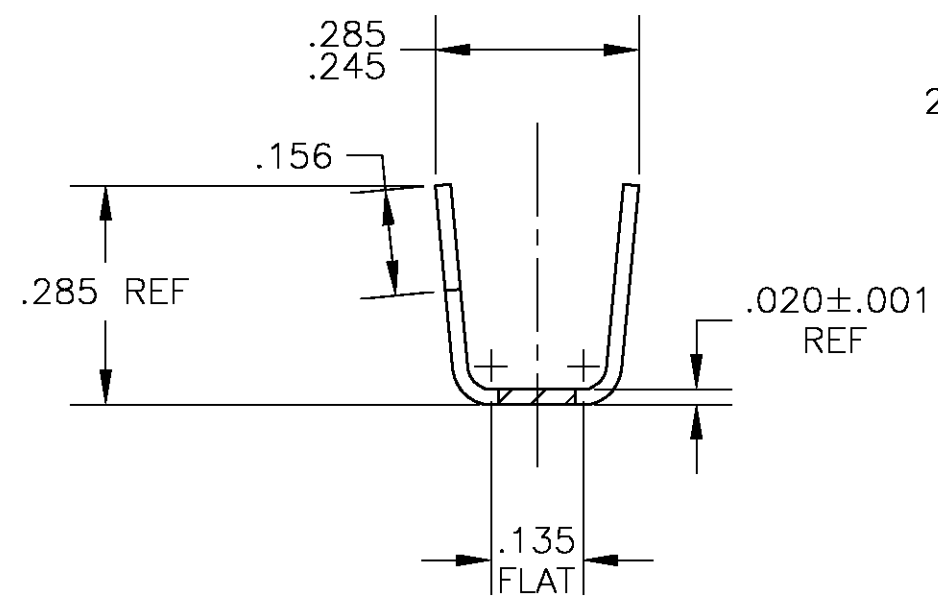
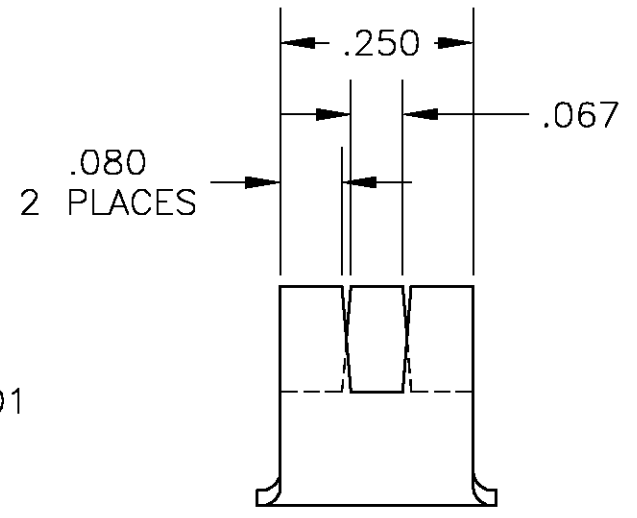
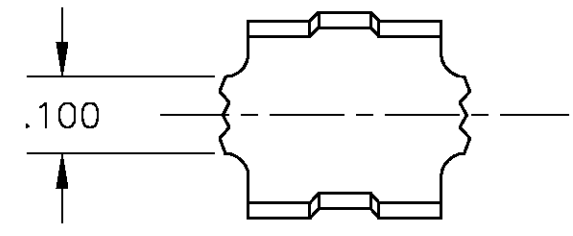
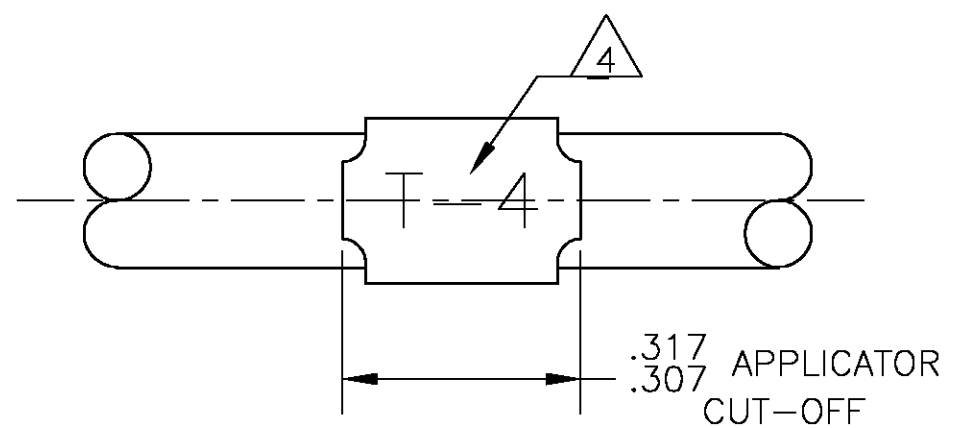


THIS DRAWING IS UNPUBLISHED. RELEASED FOR PUBLICATION
 © COPYRIGHT 1972 BY TYCO ELECTRONICS CORPORATION. ALL RIGHTS RESERVED.

LOC	DIST	REVISIONS					
		P	LTR	DESCRIPTION	DATE	DWN	APVD
AF	50		M	REL PER 0G3A-0714-04	14SEP04	JR	GP



TOP VIEW



BOTTOM VIEW

- 1 CONTINUOUS STRIP ON REELS.
- △2 RED ANODIZED PER MIL STD #104A.
- △3 YELLOW ANODIZED PER MIL STD #104A.
- △4 ALPHANUMERIC CODING MAY BE STAMPED IN THIS AREA IN APPLICATOR. CUSTOMER TO SPECIFY WHEN ORDERING. (1 - 3 DIGITS OR LETTERS)
- △5 SPLICE FREE REELING

	FINISH	INSULATION RANGE	PART NUMBER
	-	.125-.220 DIA	△5 41276-3
OBSOLETE	△3	.125-.220 DIA	41276-2
OBSOLETE	-	.125-.220 DIA	41276-1
	-	.125-.220 DIA	41276

THIS DRAWING IS A CONTROLLED DOCUMENT.		DWN MICHAEL S. FEHER 17SEP2002	Tyco Electronics Corporation Harrisburg, PA 17105-3608	
DIMENSIONS: INCHES		CHK GARY PORTA 17SEP2002	NAME	
		APVD GARY PORTA 17SEP2002	PRODUCT SPEC	
TOLERANCES UNLESS OTHERWISE SPECIFIED:		APPLICATION SPEC		
0 PLC	± -	SIZE		
1 PLC	± -	CAGE CODE		
2 PLC	± -	DRAWING NO		
3 PLC	± .010	RESTRICTED TO		
4 PLC	± -	A3 00779 C-41276		
ANGLES	± 1'	SCALE 4:1 SHEET 1 OF 1 REV M		
MATERIAL H14 ALUMINUM	FINISH SEE TABLE	CUSTOMER DRAWING		