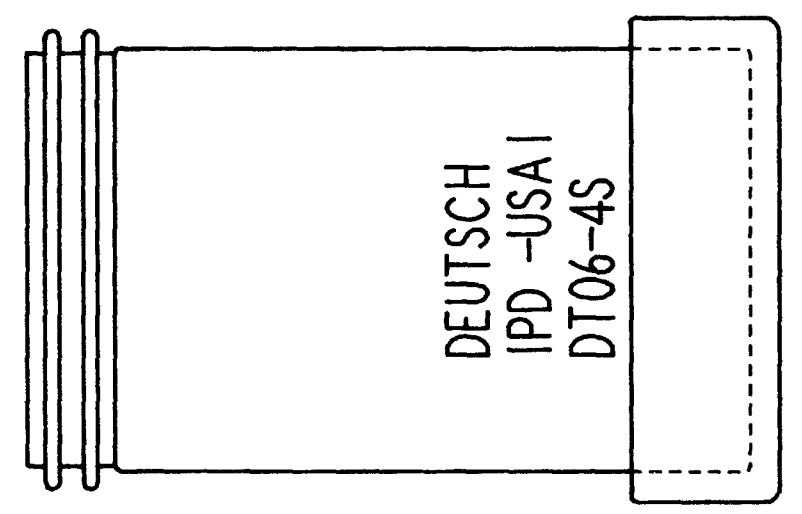
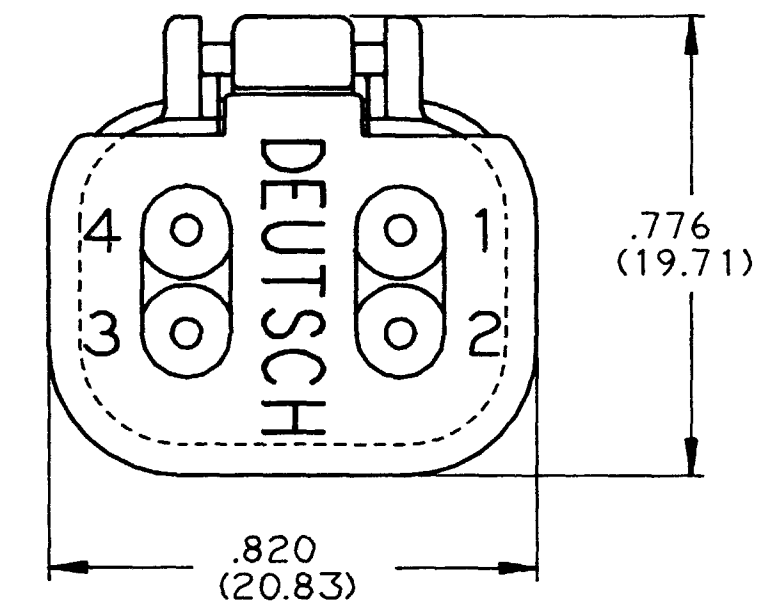
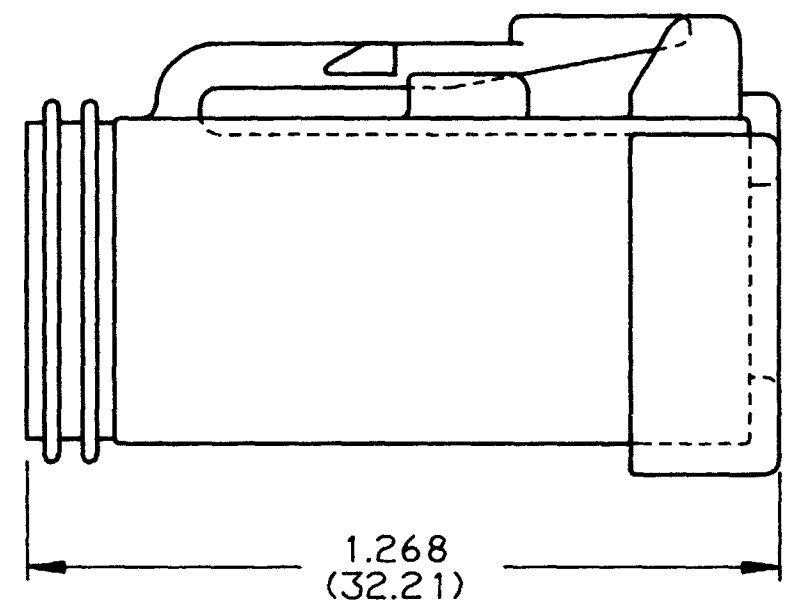
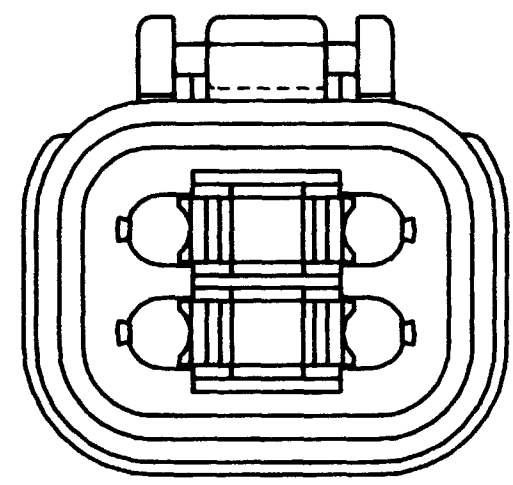


REV  
NC DT06-4S-EP04

REVISIONS			
SYM	DESCRIPTION	DATE	APPROVED
NC	NEW RELEASE PER E.O. A13830	10/8/9	<i>[Signature]</i>



NOTES:

1. ALL DIMENSIONS ARE IN INCHES (METRIC)
2. ALL DIMENSIONS ARE FOR REFERENCE ONLY.
3. CONSULT FACTORY FOR CONTACT SPECIFICATION AND APPLICATION.

SIGNATURE & DATE	
DR	C. WOODRUFF 01 JUL 92
CHK	
PE	<i>[Signature]</i>
APPD	
SCALE NONE	WT _____

4 WAY PLUG  
D.T. SERIES

ENVELOPE

CP	MATL. CODE
<b>The Deutsch Company</b> DEUTSCH I.P.D. 37140 INDUSTRIAL AVE. HEMET, CALIF. 92343	
<b>B</b>	<b>DT06-4S-EP04</b>
DWG SIZE 11139	SHEET 1 OF 1