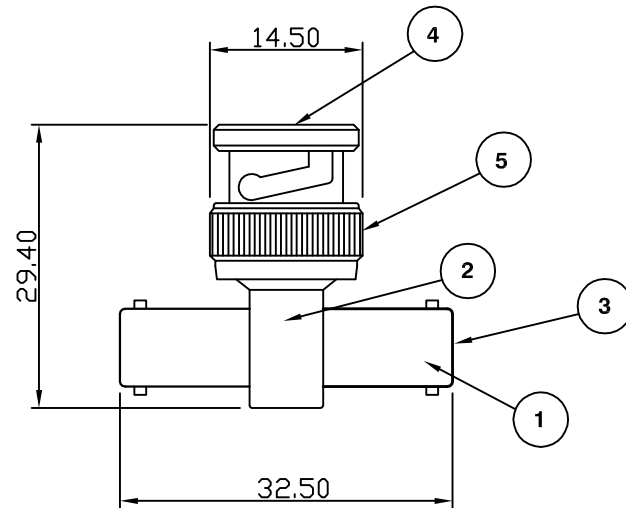


RoHS COMPLIANT



Electrical Characteristics

Nominal Impedance: 50 ohms
 Frequency Range: DC to 4 GHz
 VSWR: 1.35:1
 Insertion Loss: 0.2dB @ 3GHz
 RF Leakage: -55dB min @ 3GHz
 Power: 0.25 Watts
 Operating Voltage (rms): 500 V maximum at sea level
 Dielectric Withstand Voltage (rms): 1500 V maximum at sea level
 Contact Resistance: 1.5 milliohms maximum

Mechanical Characteristics

Mating Cycles: 500 cycles minimum
 Interface Dimensions: Conform to MIL-C-39012

Environmental Characteristics

Temperature Range: -55 °C to +85 °C

	PART	DESCRIPTION
1	Body	Brass, nickel plated 1.78 µm minimum
2	Resistor	50 Ohm 1/4 Watt
3	Contact	Brass, gold plated 0.076 µm - 0.127 µm
4	Dielectric	Delrin
5	Shell	Brass, nickel plated 1.78 µm minimum

CAD Issue	BT	1	18 Apr 07
DESCRIPTION OF REVISION	APPVD	ISS	DATE



Cinch Connectivity Solutions
 7-13 Russel Way,
 Widford Industrial Estate,
 Chelmsford, Essex,
 CM1 3AA, UK.
 Tel: +44 (0) 1245 359515
 Fax: +44 (0) 1245 358938

SCALE: Not To Scale	DRAWN BY:	B Thomas
DIMENSIONS: mm	CHECKED BY:	R Presland
TOLERANCES: ± 0.2mm unless otherwise stated	APPROVED BY:	M Spooner
	DATE:	18 Apr 07

TITLE:
**BNC 50 Ohm
 Auto Terminator 1/4 W**

PART NUMBER:
VBT109

PAGE: 1 of 1