

6

5

4

3

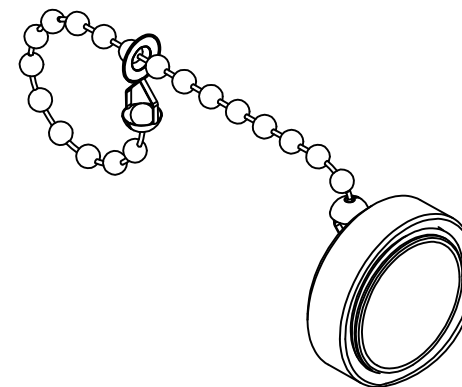
2

1

E

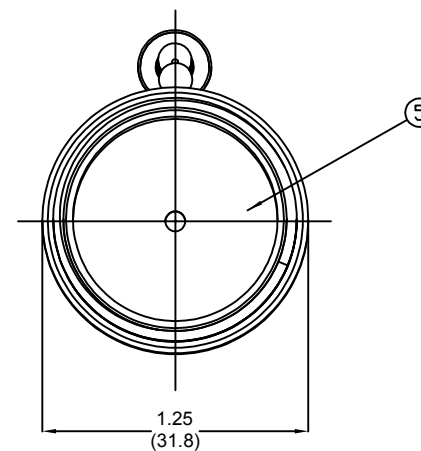
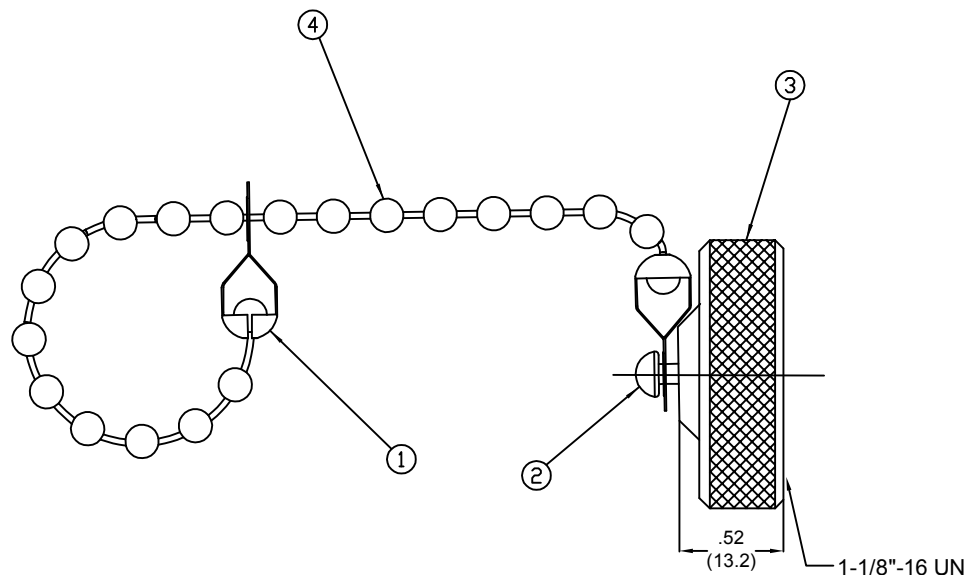
E

PART NUMBER	OLD PART NUMBER
1302011120	65-0105



D

D



C

C

B

B

A

A

-	COMPONENT	MATERIAL	FINISH
1	BEAD CHAIN FITTING (1/8IN.)	STEEL	NICKEL PLATED
2	.187 SCREW	STAINLESS STEEL	PASSIVATED
3	CLOSURE CAP	ZINC DIE CAST	BLACK E-COAT
4	BEAD CHAIN	STEEL	NICKEL PLATED
5	GASKET	NEOPRENE	BLACK

EC NO: WNA2010-0167  
 DRWN: BWOODMAN  
 CHKD: —  
 APPR: JFMURPHY 2009/09/11

QUALITY SYMBOLS  
 $\nabla=0$   
 $\nabla C=0$

	GENERAL TOLERANCES (UNLESS SPECIFIED)	
	mm	INCH
4 PLACES	±---	±---
3 PLACES	±.005	±.005
2 PLACES	±.013	±.010
1 PLACE	±.025	±.020

ANGULAR  $\pm 1/2^\circ$   
 DRAFT WHERE APPLICABLE  
 MUST REMAIN  
 WITHIN DIMENSIONS

DIMENSION STYLE  
 IN/MM

DRAWN BY DATE  
 TVICKERS 2009/08/21

CHECKED BY DATE  
 B.WOODMA 2009/08/21

APPROVED BY DATE  
 JFMURPHY 2009/09/11

MATERIAL NO.  
 SEE CHART

SIZE  
 A

SCALE  
 1:1

DESIGN UNITS  
 INCH

THIRD ANGLE PROJECTION

TITLE  
 CLOSURE CAP ASSEMBLY

MOLEX INCORPORATED

DOCUMENT NO.  
 SD-130201-0234

SHEET NO.  
 1 OF 1

6

5

4

3

2

1