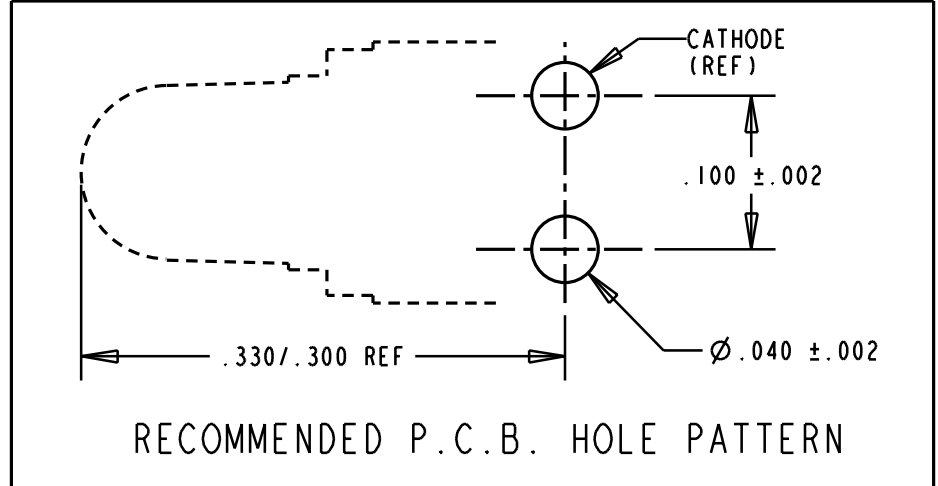


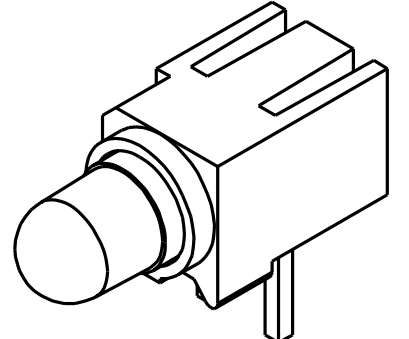
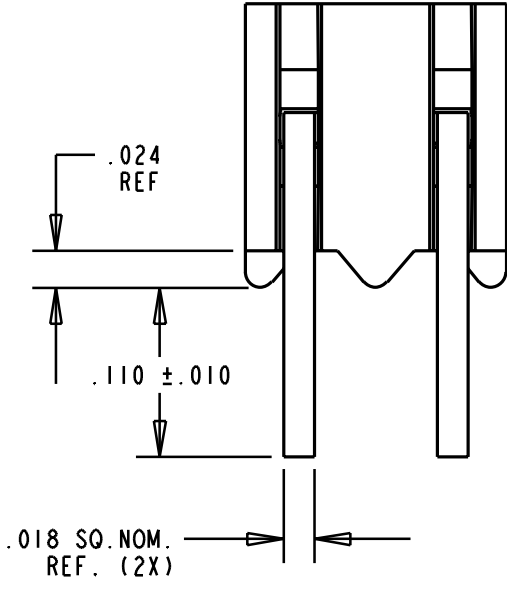
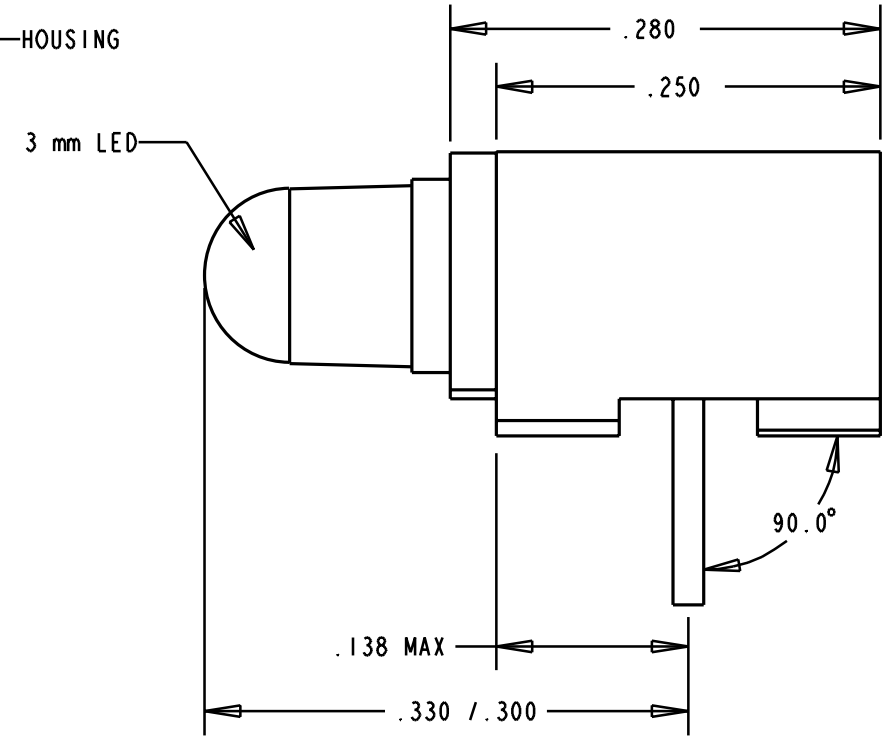
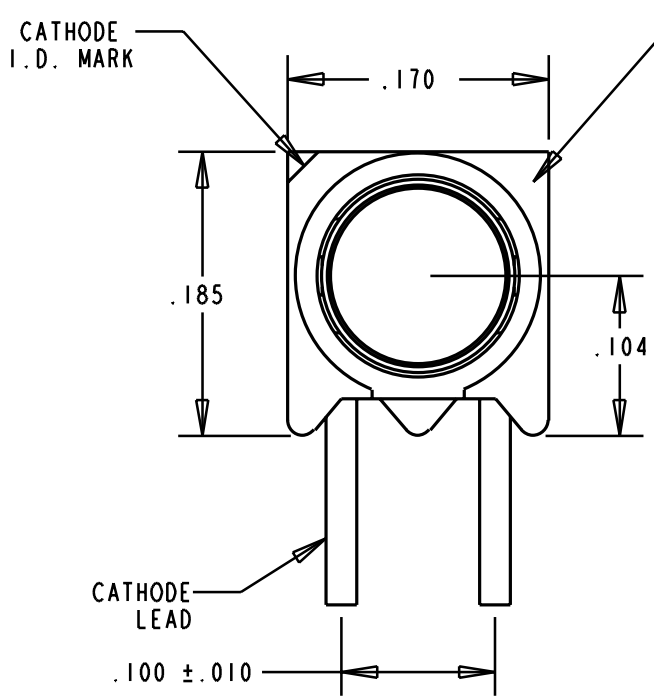
ASS'Y NO.	LIST NO.	COMCODE	LED COLOR	I _V (MIN.)	V _F (MAX.)	λ PEAK (nm)	I _R (MAX.) 5VDC	TEST COND.
551-0001-844	4	406212357	RED	1.0 mcd	2.2 V	613-635	100 μA	I _F = 10 mA
551-0001-845	5	406212365	YELLOW	1.0 mcd	2.2 V	584-591	100 μA	I _F = 10 mA
551-0001-846	6	406212381	GREEN	1.0 mcd	2.3 V	560-580	100 μA	I _F = 10 mA

REV.	ECN NO.	REVISIONS	DRN.	CKD.	APP.	DATE
B	—	P/N 551-0001-845 COMCODE 406212365 WAS 406212265; ADDED NOTE 5,6 AND .024 REF .018 SQ. NOM. REF. (2X), RECOMMENDED P.C.B. HOLE PATTERN, TITLE AND MODEL.	DC			



NOTES :

- 1- LAMP MUST BE PROPERLY SEATED IN BASE.
2. OBSERVE POLARITY WHEN INSERTING L.E.D. INTO HOUSING. (NON-STANDARD POLARITY)
- 3- PART MUST MEET LUCENT TECHNOLOGIES SPEC. WP-90931 L4, L5, L6 (REF. AT&T DWG #L-739234).
- 4- LED MUST MEET LUCENT TECHNOLOGIES SPEC. WP-90913 LIST #1 (RED), LIST #2 (YELLOW) AND LIST #3 (GREEN).
- 5- PACKAGE- 500 PIECES IN ANTISTATIC ZIP LOCK BAG. APPLY DIALIGHT LABEL WITH DIALIGHT P/N, DATE CODE, LED LOT #, QTY/BAG, COMCODE # "406212357 DIO WP90931L4" FOR -844; "406212365 DIO WP90931L5" FOR -845 AND "406212381 DIO WP90931L6" FOR -846.
- 6- DIALIGHT PART NO. 551-0001-844, 551-0001-845, 551-0001-846.



SCALE 5.000

THIS DRAWING AND THE CONTENTS HEREIN ARE CONFIDENTIAL AND THE SOLE PROPERTY OF DIALIGHT. REPRODUCTION OF THIS DRAWING OR CONSTRUCTION OF ANY PARTS WITHIN THIS DRAWING ARE FORBIDDEN WITHOUT THE WRITTEN CONSENT OF DIALIGHT.		
SCALE 8:1	DRAWING NUMBER	REV
ALL DIM'S IN: INCHES	C-16108	B
TOLERANCES: UNLESS OTHERWISE SPECIFIED	TITLE 3mm LED CBI	
FRACTIONS: ±1/64	MATERIAL	
DECIMALS (.XX): ±.020	Dialight	
DECIMALS (.XXX): ±.015	1913 ATLANTIC AVE. MANASQUAN, N.J. 08736	
ANGLES: ±3°	SHEET OF FAMILY TABLE:	
FINISH:	FSCM 83330	