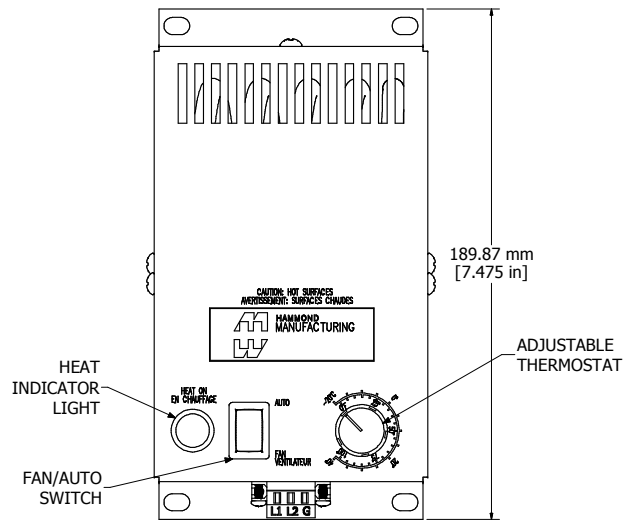
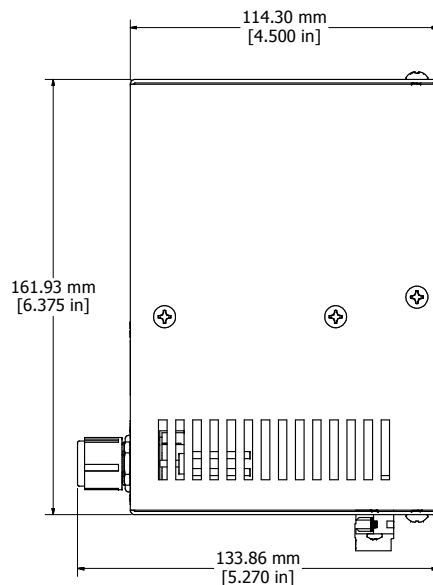


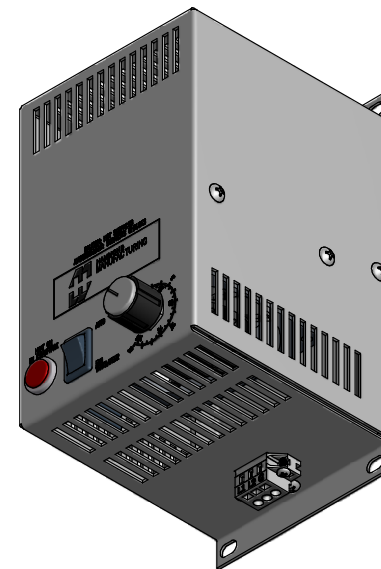
8 7 6 5 4 3 2 1



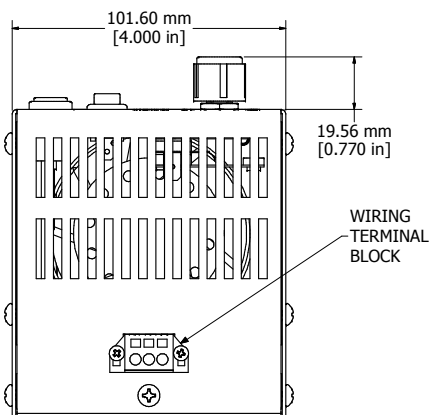
ASSEMBLY - VIEW FROM FRONT



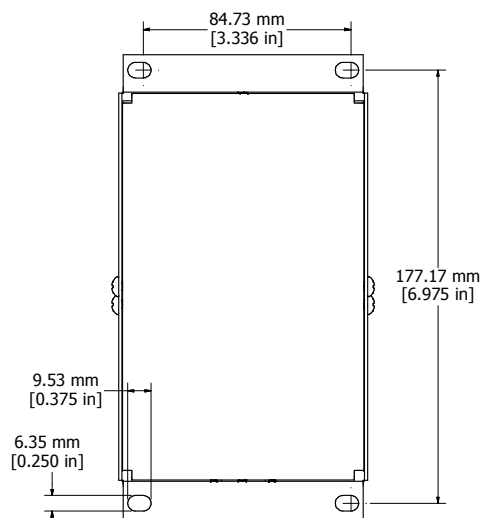
ASSEMBLY - VIEW FROM SIDE



ISOMETRIC VIEW



ASSEMBLY - VIEW FROM BOTTOM



ASSEMBLY - VIEW FROM BACK

FLHTF400A230

Housing - Aluminum Alloy

Rating - 220/240 VAC, 50/60 Hz, 335/400 W

Approvals - UL Recognized Standard UL 508A

- CSA Standard C22.2 No. 88



**HAMMOND
MANUFACTURING™**

FLHTF400A230

www.hammondmfg.com

8 7 6 5 4 3 2 1