

REVISIONS

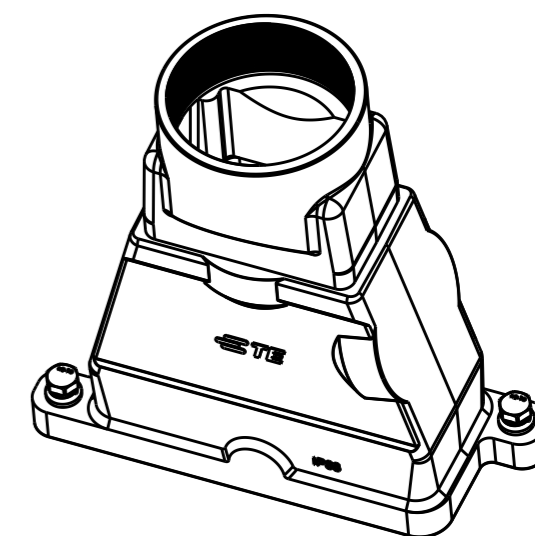
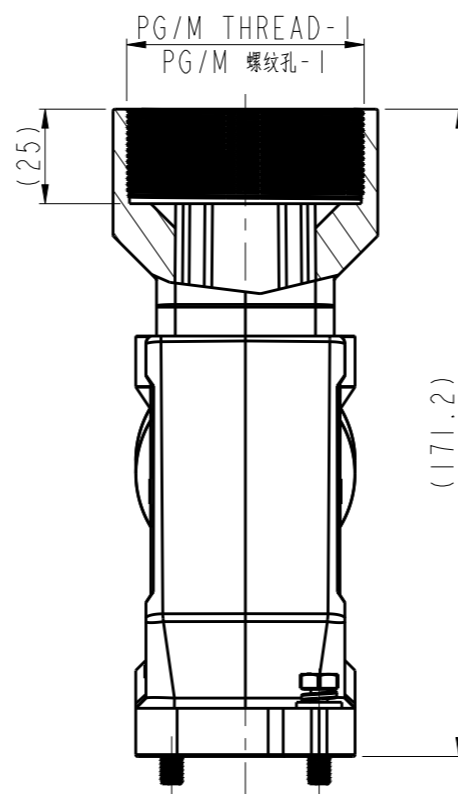
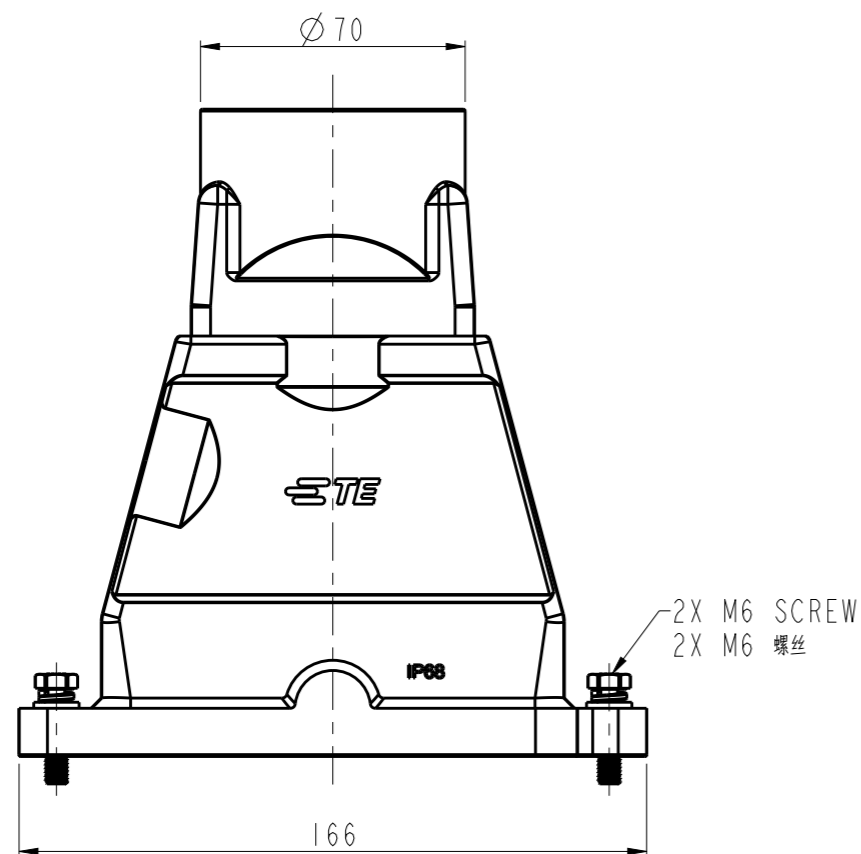
P	LTR	DESCRIPTION	DATE	DWN	APVD
	A	INITIAL	13OCT2016	QY	CW

NOTES:

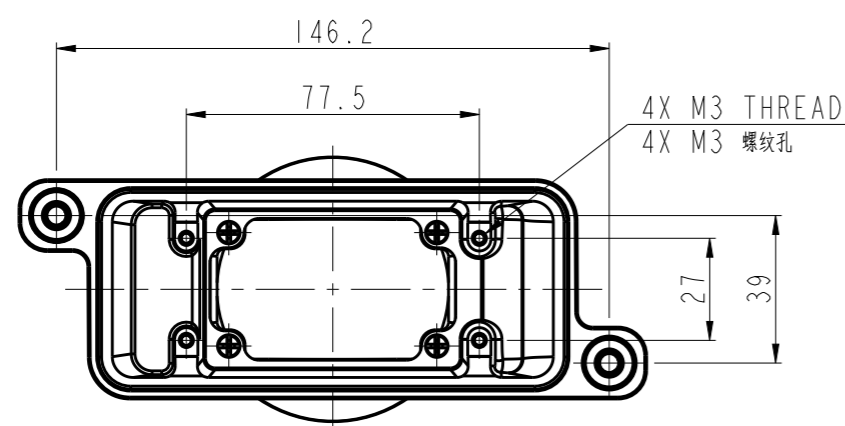
1. TECHNICAL CHARACTERISTICS:
 HOOD MATERIAL: DIE CAST ALUMINIUM ALLOY
 SURFACE: POWDER COATED
 DEGREE OF PROTECTION: IP68 (MATED)

注释:


1. 技术参数:
 上壳材料: 铝合金
 表面处理: 粉末喷涂
 防护等级: IP68(配合)



SCALE 2:5



T1920160150-001	HI6BPR-TGXH-M50	HI6BPR HEIGHTEN HOOD, DIAGONAL LOCKING, TOP ENTRY M50, POWDER COATED, BLACK HI6BPR加高上壳, 对角锁定, 顶出M50, 黑色粉末喷涂	M50X1.5
T1920160163-001	HI6BPR-TGXH-M63	HI6BPR HEIGHTEN HOOD, DIAGONAL LOCKING, TOP ENTRY M63, POWDER COATED, BLACK HI6BPR加高上壳, 对角锁定, 顶出M63, 黑色粉末喷涂	M63X1.5
PART NUMBER 料号	PART DESCRIPTION 描述		PG/M THREAD-1 PG/M 螺纹孔-1

THIS DRAWING IS A CONTROLLED DOCUMENT.		DWN 13OCT2016 QIANG YUAN	 TE Connectivity	
DIMENSIONS: mm		CHK 13OCT2016 KYLE ZENG		
TOLERANCES UNLESS OTHERWISE SPECIFIED:		APVD 13OCT2016 CHRIS WANG	NAME HI6BPR-TGXH-PG/M	
0 PLC ±-		PRODUCT SPEC 108-137014	SIZE A3	
1 PLC ±-		APPLICATION SPEC 114-137014	CAGE CODE -	DRAWING NO C-T19201601XX001
2 PLC ±-		WEIGHT -	RESTRICTED TO -	
3 PLC ±-		CUSTOMER DRAWING	SCALE 1:2	SHEET 1 OF 1
4 PLC ±-			REV A	
ANGLES ±-				
FINISH -				
MATERIAL -				