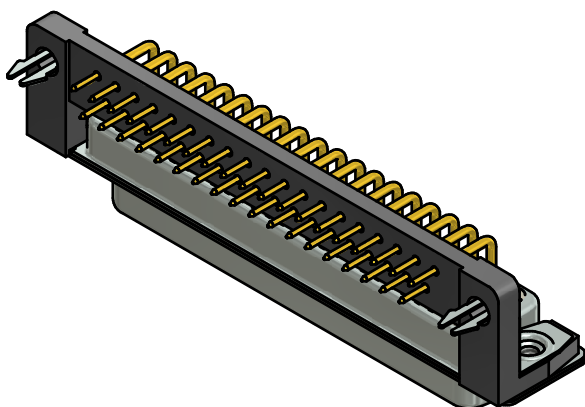


NOTES:

1. RoHS COMPLIANT
2. SUITABLE FOR REFLOW SOLDERING (SOLDER BATH TEMPERATURE 260°C FOR 5 SEC AND SOLDER PREHEAT 100°C FOR 30 SEC.)
3. METALSHELLS: STEEL; min. 315µin TIN over 40-80µin NICKEL
4. INSULATORS: HIGH TEMPERATURE PLASTIC UL 94 V-0, BLACK
5. CONTACTS: COPPER ALLOY; PLATING (SEE PART.):
 - PLEASE ADD A for GOLD FLASH over NICKEL (PREFERRED TYPE)
 - PLEASE ADD B for 20µin HARD GOLD over min. 50µin NICKEL
 - PLEASE ADD C for 30µin HARD GOLD over min. 50µin NICKEL
 CONTACT TAILS PRETINNED
6. MOUNTING BRACKET: HIGH TEMPERATURE PLASTIC UL 94 V-0; BLACK
7. THREADED INSERTS: COPPER ALLOY; min. 200µin TIN over 80µin NICKEL
8. GROUNDING CLIPS: COPPER ALLOY; PCB-HOLE: Ø3,1±0,1; THICKNESS 1,6mm
9. CAPACITANCE: 1300pF±20%
10. DIELECTRIC WITHSTANDING VOLTAGE: 424 VDC
11. P.B.C. HOLE DRILLINGS ON SHEET 2
12. MAXIMUM TORQUE VALUE FOR THREAD: 6 in.LB
13. CONNECTOR IS PART MARKED: 242□12890X CONEC ABC



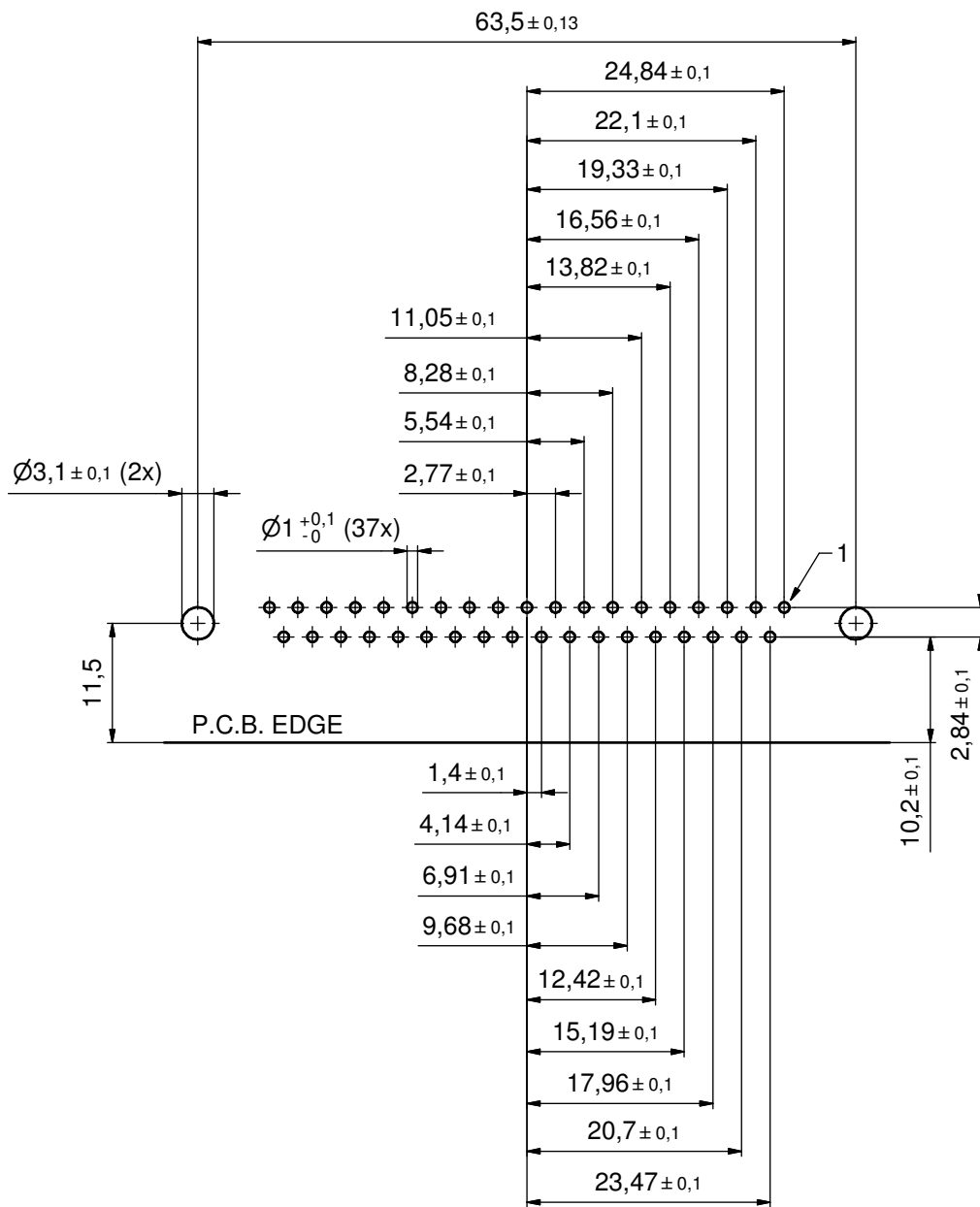
Directive 2002/95/EC RoHS compliant

THIS DRAWING MAY NOT BE COPIED OR REPRODUCED IN ANY WAY, AND MAY NOT BE PASSED ON TO A THIRD PARTY WITHOUT WRITTEN PERMISSION. OWNERSHIP AND COPYRIGHT OF CONEC GmbH

DO NOT ALTER CAD DRAWING BY HAND

		tolerance		dim. in mm	
date	name	date	name		
drawn 03.09.13	Henneboel				
appd. 04.09.13	Fischer				
		norm			
		d-old			
a	Original	CONEC [®]			
rev.	description				
	date	name			

scale:	2:1 (5:1)	
material:	SEE NOTES	
title:	D-SUB C-FILTER FEMALE 90° 37pos. SOLDER PIN ANGLED 0.370inch threaded insert, mounting bracket, grounding clip	
dwg no:	24K1A1466	DIN-A3 sh: 1/2
part no:	242□12890X (see note 5)	



P.C.B. HOLE DRILLINGS
(P.C.B. TOP SIDE)

THIS DRAWING MAY NOT BE COPIED OR REPRODUCED IN ANY WAY, AND MAY NOT BE PASSED ON TO A THIRD PARTY WITHOUT WRITTEN PERMISSION. OWNERSHIP AND COPYRIGHT OF CONEC GmbH DO NOT ALTER CAD DRAWING BY HAND				tolerance		scale: 3:1		
				date	name	material: SEE SHEET 1		
				drawn	03.09.13	Henneboel	title: P.C.B. HOLE DRILLINGS D-SUB C- FILTER FEMALE 90° 37pos. 0.370inch threaded insert,mounting bracket, grounding clip	
				appd.	04.09.13	Fischer		
				norm				
				d-old				
	a	Original		CONEC [®]			dwg no: 24K1A1466	DIN-A3
	rev.	description	date				name	part no: SEE SHEET 1