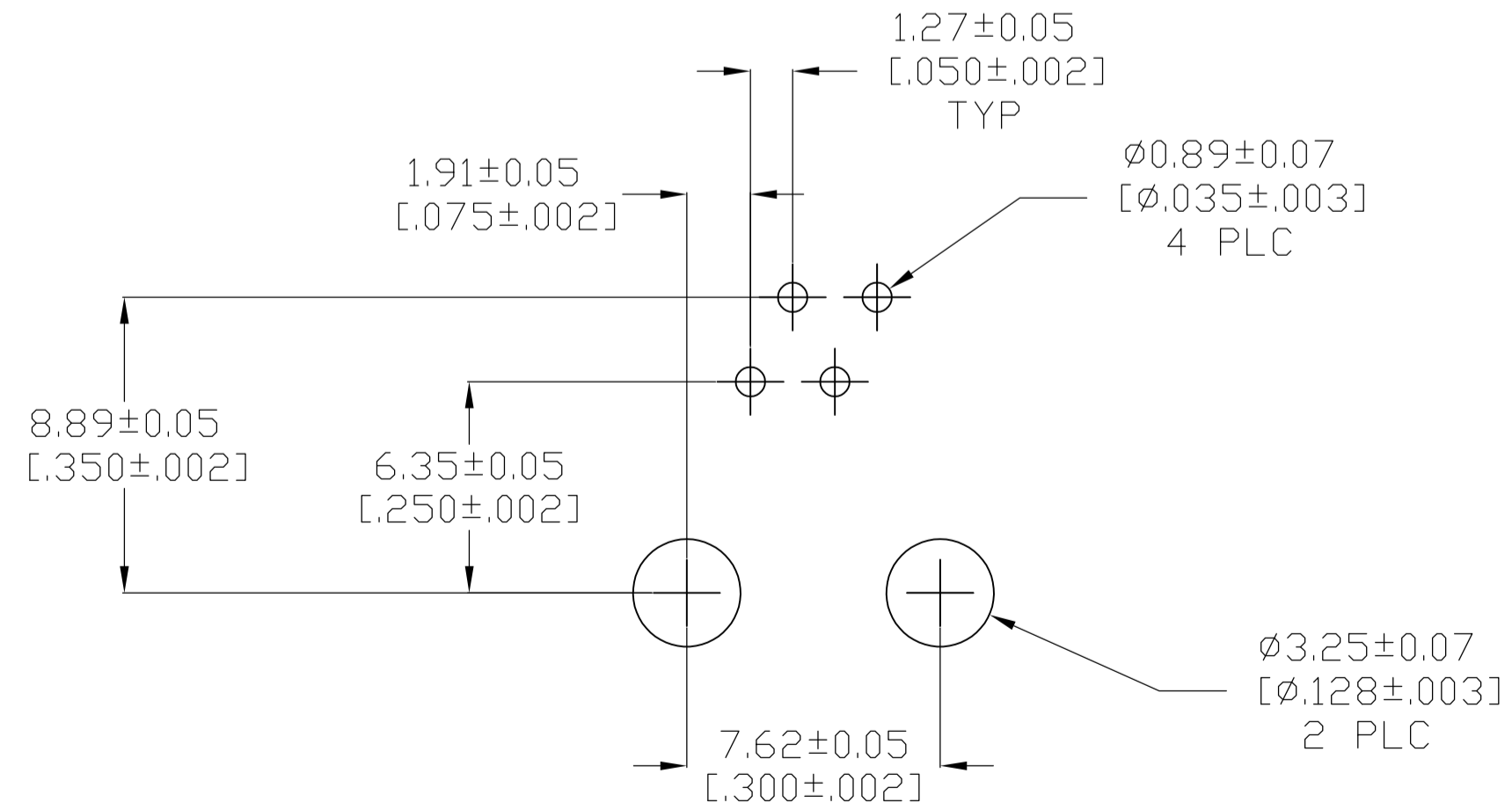
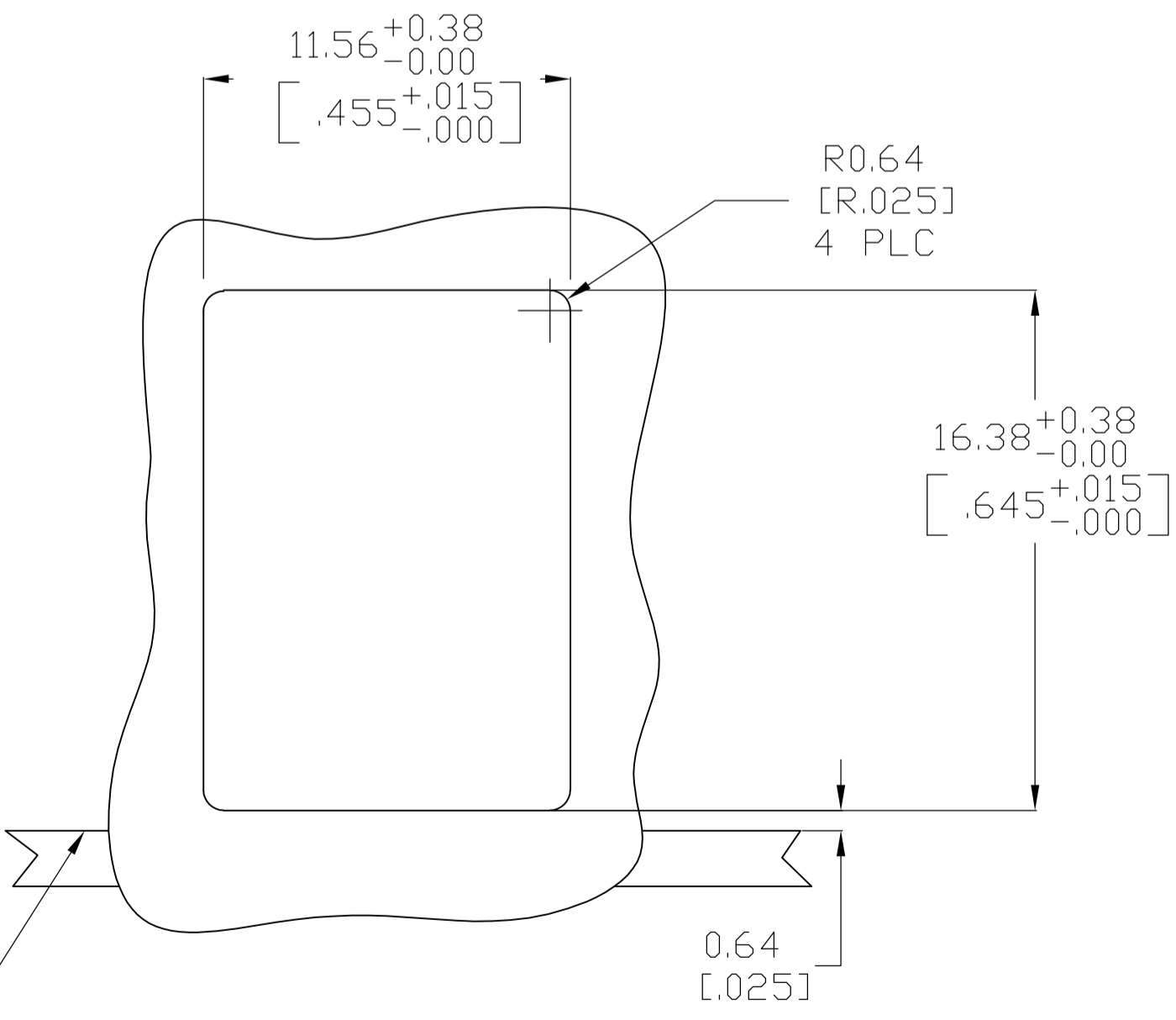
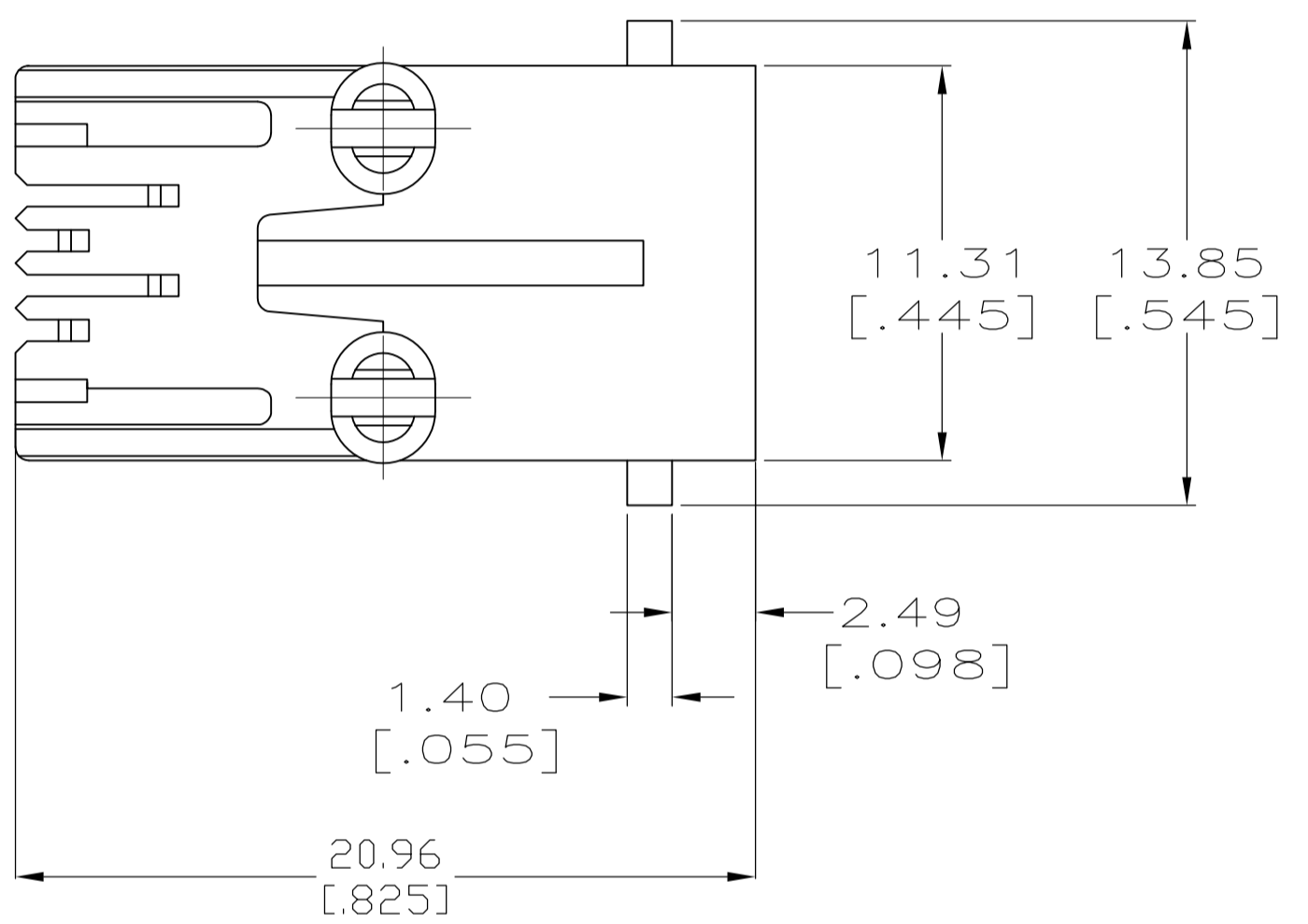


- MATERIAL:
HOUSING - POLYESTER, UL-94-V0, COLOR: BLACK
TERMINAL - 0.36[.014] THICK PHOS BRONZE PLATED WITH (SEE TABLE) MIN HARD GOLD IN LOCALIZED GOLD PLATE AREA AND 3.81µm[.000150] MIN THICK MATTE TIN IN SOLDER AREA OVER 1.27µm[.000050] MIN THICK NICKEL UNDERPLATE

2 CAVITY CONFORMS TO FCC RULES AND REGULATIONS PART 68 AND REA BULLETIN 345-81 PE 76 SPECIFICATION FOR MODULAR TELEPHONE HARDWARE.

3. DIMENSIONS ARE MAXIMUM UNLESS OTHERWISE SPECIFIED.

4 0.15µm[.000006] GOLD PLATED PARTS DO NOT MEET THE MINIMUM GOLD THICKNESS REQUIREMENT OF FCC SPECIFICATION, PART 68. PARTS HAVE NOT BEEN TESTED TO THE DURABILITY REQUIREMENTS OF TE CONNECTIVITY PRODUCT SPEC 108-1163



RECOMMENDED PANEL CUTOUT

RECOMMENDED PRINTED CIRCUIT BOARD LAYOUT COMPONENT SIDE

| | | |
|----------|-------------------|-------------|
| OBSELETE | 4 0.15µm[.000006] | 2-5520249-2 |
| | 1.27µm[.000050] | 5520249-2 |
| | GOLD THICKNESS | PART NUMBER |

| | | | | |
|--|--|--|-----------------|-------------------------------|
| THIS DRAWING IS A CONTROLLED DOCUMENT. DIMENSIONING AND TOLERANCING PER ASME Y14.5M-2009 | | DIN J. ALCORTA - 17JUN2005 DOCK 5 S. FLICKINGER - 17JUN2005 | TE Connectivity | |
| DIMENSIONS: mm [INCHES] | | APVD S. FLICKINGER - 17JUN2005 | NAME | |
| TOLERANCES UNLESS OTHERWISE SPECIFIED: 0 PLC ± - 1 PLC ± - 2 PLC ± - 3 PLC ± 0.13[.005] 4 PLC ± - ANGLES ± - | | PRODUCT SPEC 108-1163 | | |
| MATERIAL SEE NOTE 1 | | APPLICATION SPEC 114-2048 | | RESTRICTED TO |
| FINISH SEE NOTE 1 | | WEIGHT - | | SCALE 5:1 SHEET 1 OF 1 REV D2 |
| CUSTOMER DRAWING | | A1 00779 C=5520249 | | |