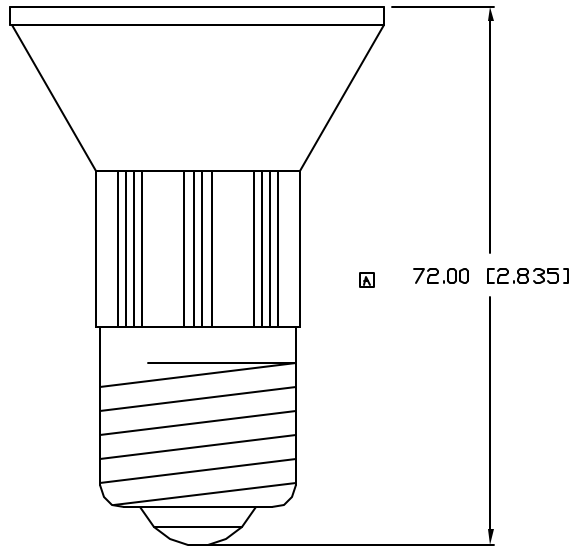
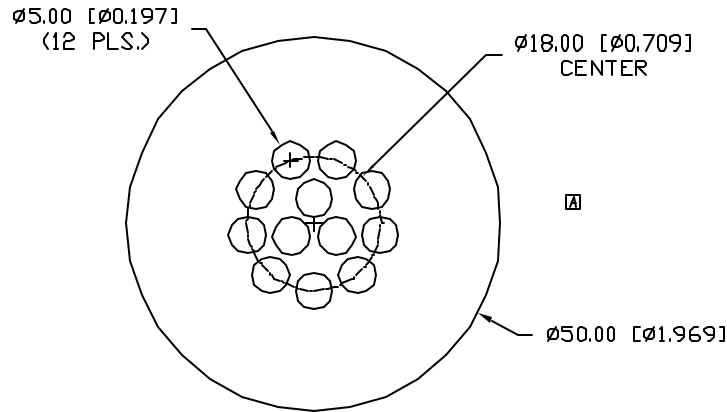


UNCONTROLLED DOCUMENT

PART NUMBER  
SSP-11E272UP110

REV.  
A



| REV. | E.C.N. NUMBER AND REVISION COMMENTS | DATE    |
|------|-------------------------------------|---------|
| A    | E11149                              | 7.14.04 |

ELECTRO-OPTICAL CHARACTERISTICS  $T_A=25^\circ\text{C}$   $V_f=110\text{V}$

| PARAMETER          | MIN              | TYP | MAX | UNITS    | TEST COND            |
|--------------------|------------------|-----|-----|----------|----------------------|
| PEAK WAVELENGTH    |                  | 525 |     | nm       |                      |
| FORWARD VOLTAGE    |                  | 110 |     | $V_f$    |                      |
| REVERSE VOLTAGE    | 5.0              |     |     | $V_r$    | $I_f=100\mu\text{A}$ |
| AXIAL INTENSITY    |                  | 22  |     | cd       | $V_f=110\text{V}$    |
| VIEWING ANGLE      |                  | 30  |     | 2x theta |                      |
| EMITTED COLOR:     | ULTRA PURE GREEN |     |     |          |                      |
| EPOXY LENS FINISH: | WATER CLEAR      |     |     |          |                      |

LIMITS OF SAFE OPERATION AT  $25^\circ\text{C}$  PER DIE

| PARAMETER                      | MAX        | UNITS                |
|--------------------------------|------------|----------------------|
| PEAK FORWARD CURRENT*          | 120        | mA                   |
| STEADY CURRENT                 | 30         | mA                   |
| POWER DISSIPATION              | 105        | mW                   |
| DERATE FROM $25^\circ\text{C}$ | -1.2       | mW/ $^\circ\text{C}$ |
| OPERATING, STORAGE TEMP.       | -30 TO +85 | $^\circ\text{C}$     |

\*  $t < 10\mu\text{s}$

\*UNLESS OTHERWISE SPECIFIED TOLERANCES PER DECIMAL PRECISION ARE: X= $\pm 1$  ( $\pm 0.039$ ), XX= $\pm 0.5$  ( $\pm 0.020$ ), XXX= $\pm 0.25$  ( $\pm 0.010$ ), XXXX= $\pm 0.127$  ( $\pm 0.005$ ). LEAD SIZE= $\pm 0.05$  ( $\pm 0.002$ ), LEAD LENGTH= $\pm 0.75$  ( $\pm 0.030$ ). MIN.= +DECIMAL PRECISION MAX.= +0.00 -DECIMAL PRECISION

UNCONTROLLED DOCUMENT

|           |                                |
|-----------|--------------------------------|
| REV.<br>A | PART NUMBER<br>SSP-11E272UP110 |
|-----------|--------------------------------|

**CONFIDENTIAL INFORMATION**  
 THE INFORMATION CONTAINED IN THIS DOCUMENT IS THE PROPERTY OF SUNBRITE LEDS. EXCEPT AS SPECIFICALLY AUTHORIZED IN WRITING BY SUNBRITE LEDS, THE HOLDER OF THIS DOCUMENT SHALL KEEP ALL INFORMATION CONTAINED HEREIN CONFIDENTIAL AND SHALL PROTECT SAME IN WHOLE OR IN PART FROM DISCLOSURE AND DISSEMINATION TO ALL THIRD PARTIES.



286 E. HELEN ROAD  
 PALATINE, IL 60067-6976  
 PHONE: +1.847.359.2790  
 FAX: +1.847.359.2867  
 WEB: www.sunbriteleds.com

$\square$  50mm CIRCULAR, 12 LED POLYLED, E27 SCREW BASE,  
 525nm ULTRA PURE GREEN LEDS, WATER CLEAR LENS.

**RELIABILITY NOTE**  
 OUR MANY YEARS OF EXPERIENCE DATA ACCUMULATION INDICATE THAT SOLDER HEAT IS A MAJOR CAUSE OF EARLY AND FUTURE FAILURE. PLEASE PAY ATTENTION TO YOUR SOLDERING PROCESS.

|              |          |           |                                |
|--------------|----------|-----------|--------------------------------|
| DRAWN:<br>BC | CHECKED: | APPROVED: | DATE: 11.27.02<br>PAGE: 1 OF 1 |
|--------------|----------|-----------|--------------------------------|