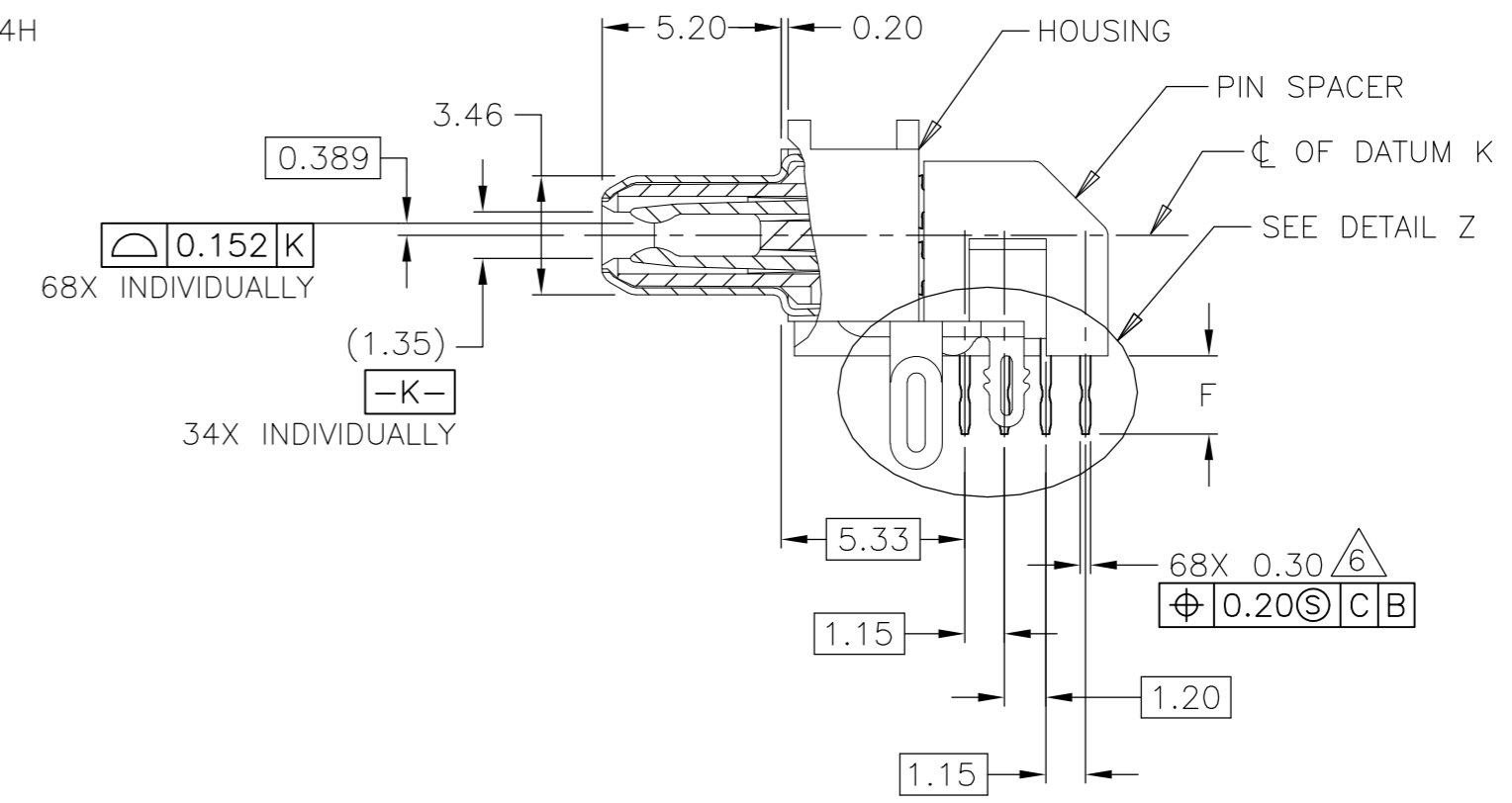
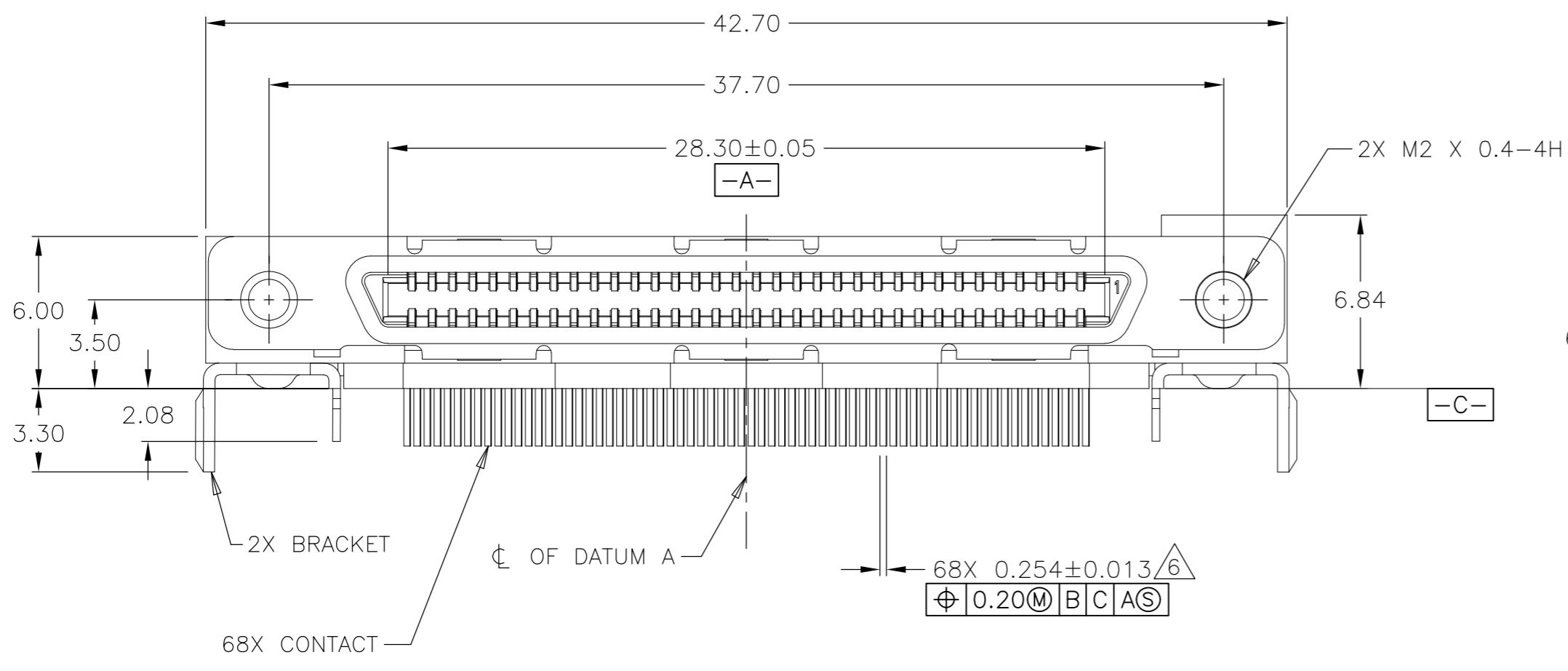
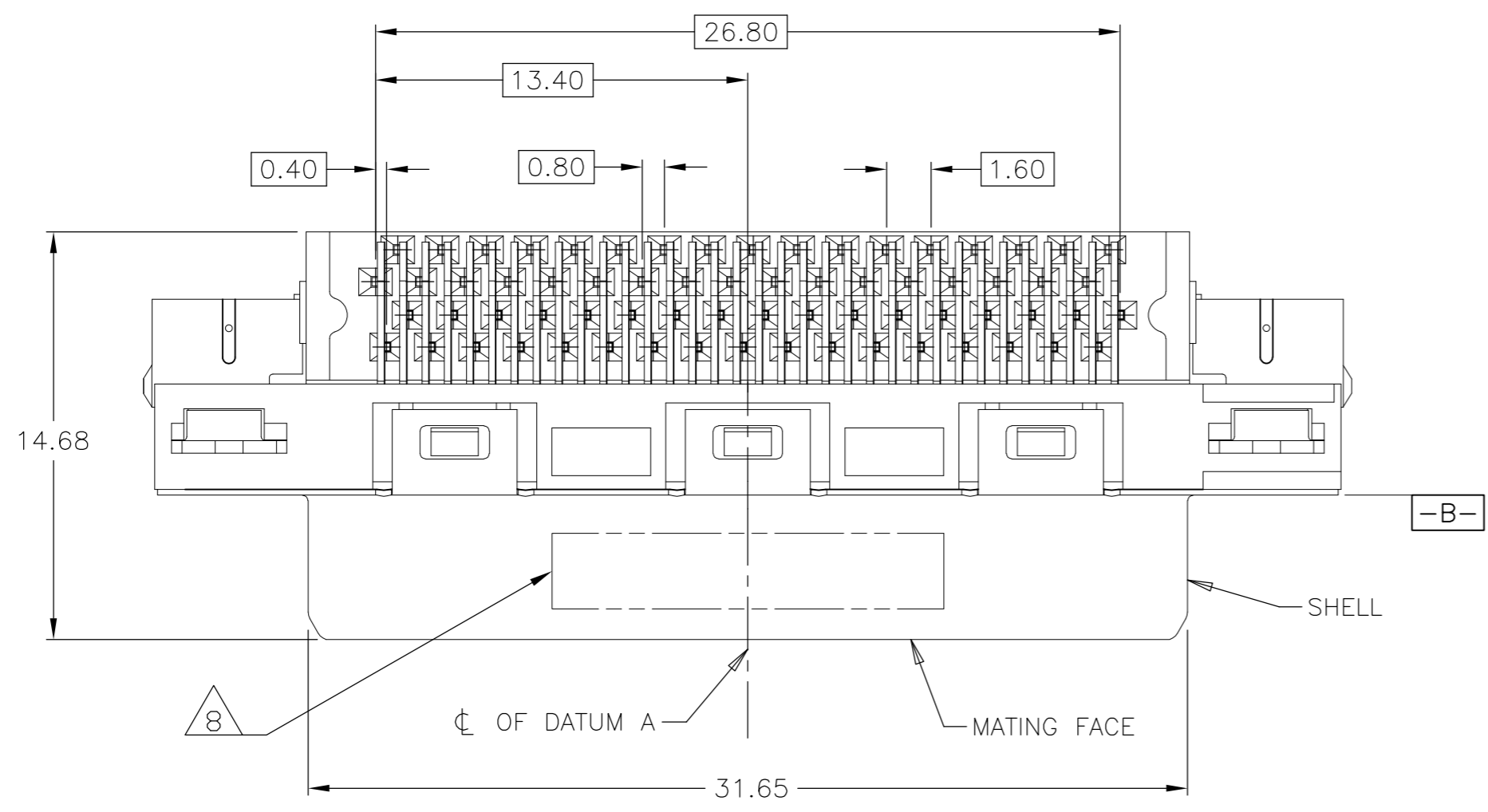


THIS DRAWING IS UNPUBLISHED. RELEASED FOR PUBLICATION
 © COPYRIGHT - By - ALL RIGHTS RESERVED.

LOC		DIST		REVISIONS			
P	LTR	DESCRIPTION		DATE	DWN	APVD	
	B1	REVISED PER ECO-11-004835		11MAR11	RK	HMR	



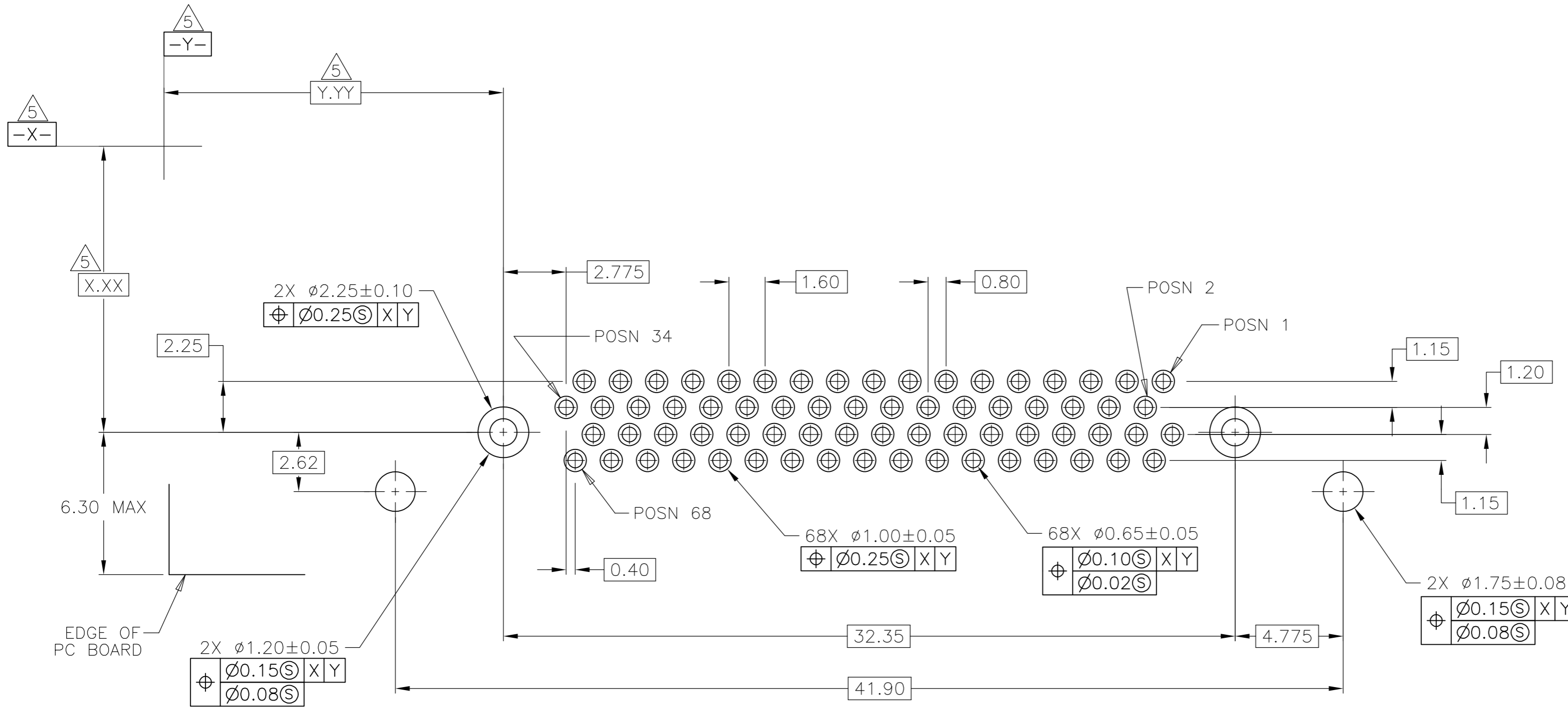
- ① HOUSING & PIN SPACER: THERMOPLASTIC, BLACK, UL 94V-0 RATED. SHELL: CARBON STEEL. CONTACTS: PHOSPHOR BRONZE. BRACKETS: STEEL.
- ② SHELL: 5.08µm MIN NICKEL OVER 2.54µm MIN COPPER. CONTACTS: 0.76µm MIN GOLD ON MATING END, 3.75µm MIN TIN ON SOLDER TAILS, BOTH OVER 1.27µm MIN NICKEL ON ENTIRE CONTACT. BRACKETS: TIN PLATED.
- ③ CONTACTS DESIGNED FOR USE ON 1.60±0.15 THICK PC BOARD WITH PLATED THRU MOUNTING HOLES.
- ④ RECEPTACLE ASSEMBLY DESIGNED FOR USE WITH 1.12±0.08 THICK PANEL.
- ⑤ DATUMS AND DIMENSIONS ESTABLISHED BY CUSTOMER.
- ⑥ POSITION TOLERANCE APPLIES AT CONTACT TIP ONLY.
- ⑦ CONTACTS DESIGNED FOR USE ON 2.35±0.15 THICK PC BOARD WITH PLATED THRU MOUNTING HOLES.
- ⑧ DATE CODE MARKED IN APPROXIMATE AREA SHOWN.

⑦	3.55	5796055-2
③	2.27	5796055-1
REMARKS	F	PART NUMBER

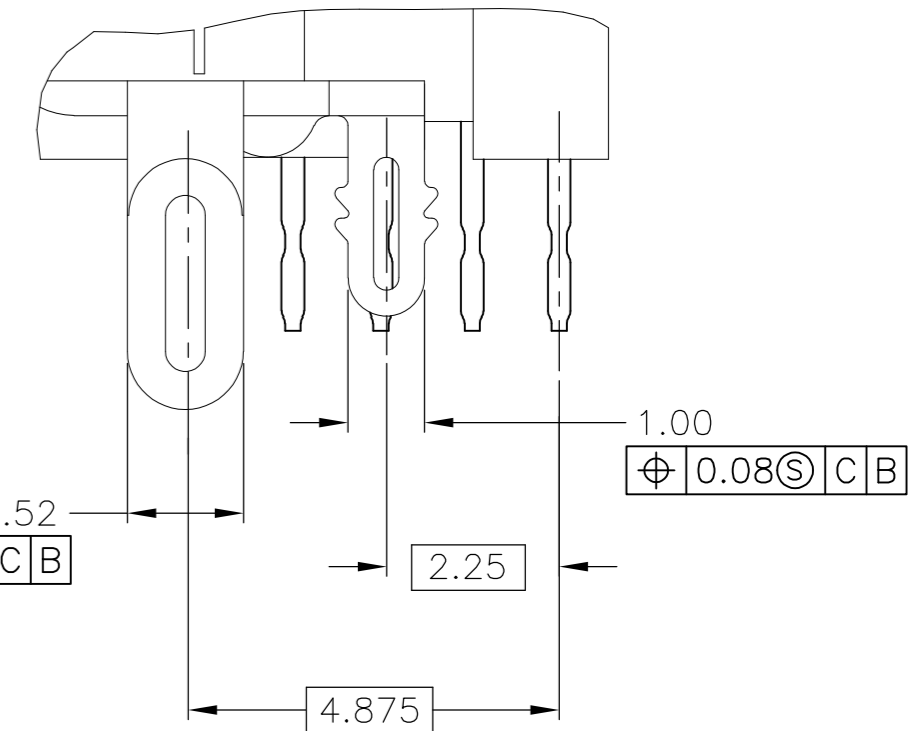
THIS DRAWING IS A CONTROLLED DOCUMENT.		DWN	J.GERACE	31JAN05	 TE Connectivity
DIMENSIONS: mm		CHK	S.SHUEY	31JAN05	
TOLERANCES UNLESS OTHERWISE SPECIFIED:		APVD	M.WALMSLEY	31JAN05	
0 PLC ± - 1 PLC ± - 2 PLC ± 0.13 3 PLC ± - 4 PLC ± - ANGLES ± -		PRODUCT SPEC	108-1471	NAME	
MATERIAL	①	FINISH	②	114-6057	RECEPTACLE ASSEMBLY, RIGHT ANGLE, 68 POS, SHIELDED, CHAMP 0.8mm
CUSTOMER DRAWING		WEIGHT	-	SIZE	A2
		SCALE	5:1	CAGE CODE	00779
		SHEET	1 of 2	DRAWING NO	C=5796055
		REV	B1	RESTRICTED TO	-

THIS DRAWING IS UNPUBLISHED. RELEASED FOR PUBLICATION
 © COPYRIGHT - By - ALL RIGHTS RESERVED.

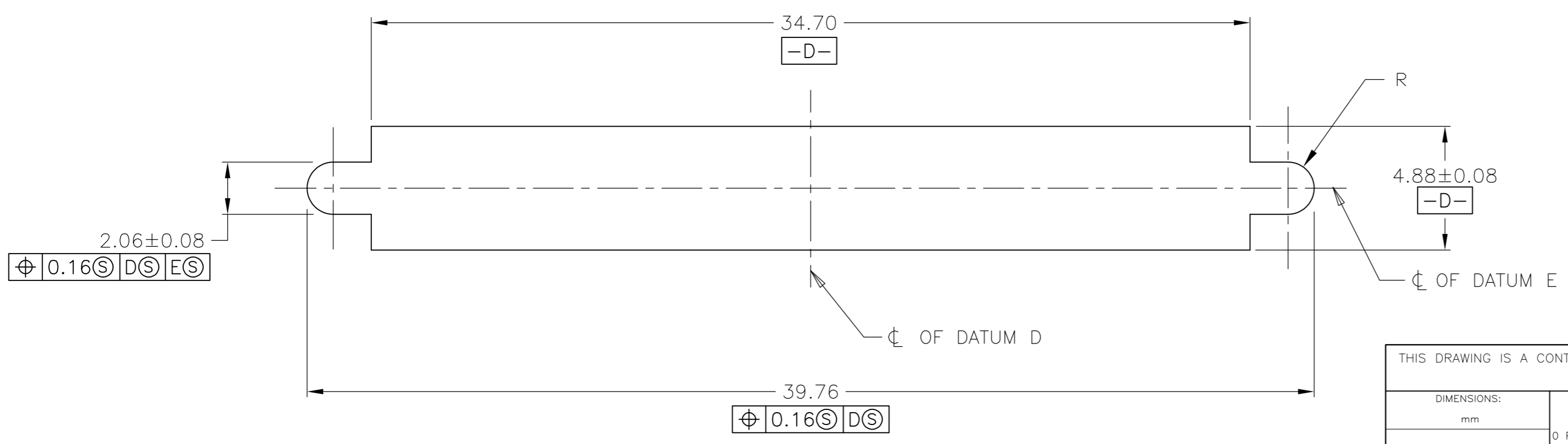
LOC		DIST		REVISIONS			
P	LTR	DESCRIPTION	DATE	DWN	APVD		
GP	00	SEE SHEET 1	-	-	-		



PC BOARD MOUNTING DIMENSIONS



DETAIL Z SCALE 10:1



PANEL CUT-OUT DIMENSIONS

THIS DRAWING IS A CONTROLLED DOCUMENT.		DWN	J.GERACE	31JAN05	 TE Connectivity	
DIMENSIONS:		CHK	S.SHUEY	31JAN05		
mm		APVD	M.WALMSLEY	31JAN05		
TOLERANCES UNLESS OTHERWISE SPECIFIED:		PRODUCT SPEC				
0 PLC \pm - 1 PLC \pm - 2 PLC ± 0.13 3 PLC \pm - 4 PLC \pm - ANGLES \pm - FINISH -		APPLICATION SPEC			NAME	RECEPTACLE ASSEMBLY, RIGHT ANGLE, 68 POS, SHIELDED, CHAMP 0.8mm
MATERIAL		WEIGHT	-		SIZE	A2
		CUSTOMER DRAWING			CAGE CODE	00779
		SCALE	6:1		DRAWING NO	C=5796055
		SHEET	2 OF 2		RESTRICTED TO	-
		REV	B1			