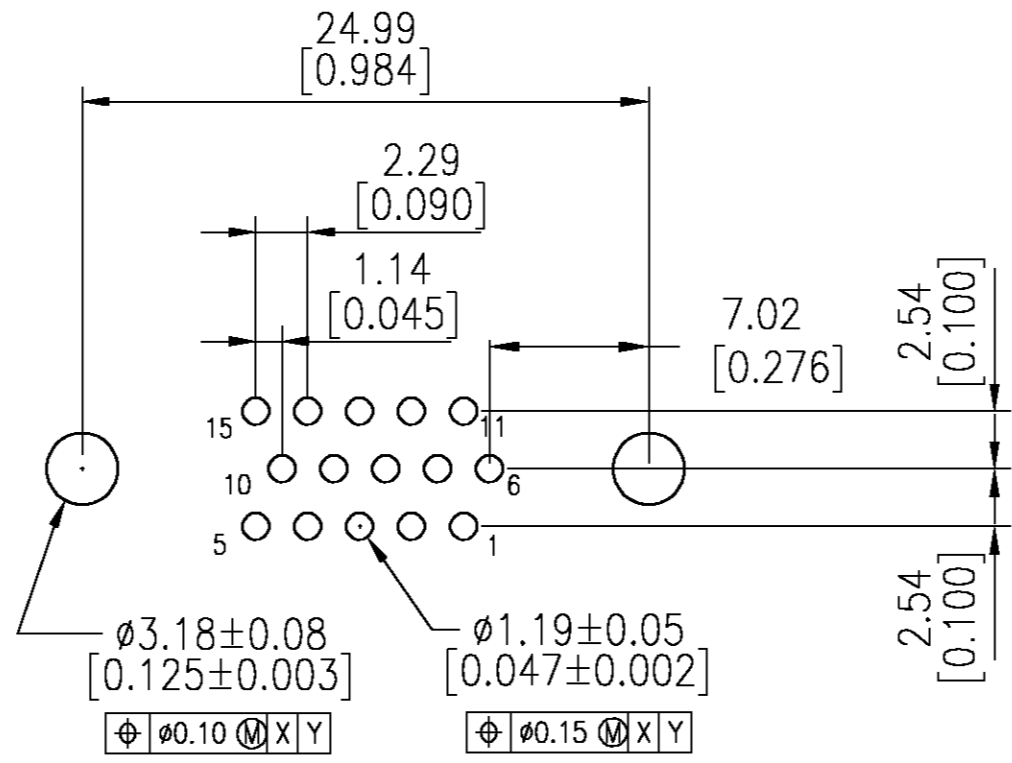
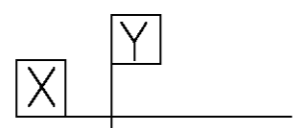
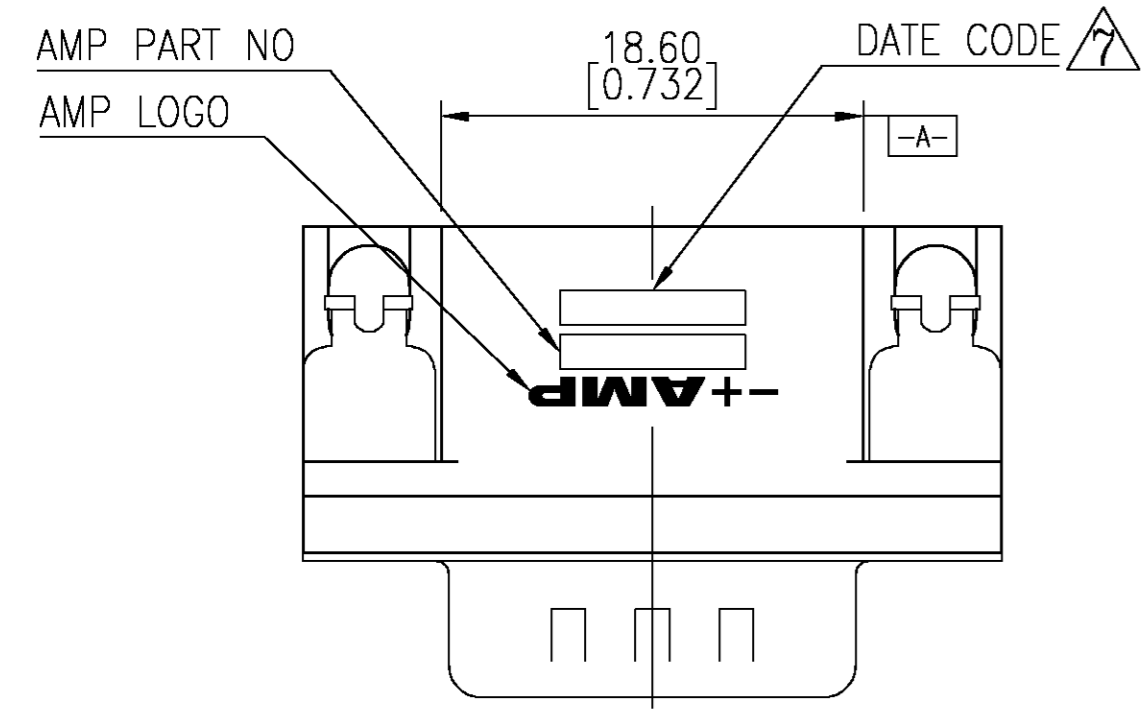


THIS DRAWING IS UNPUBLISHED. RELEASED FOR PUBLICATION
 © COPYRIGHT BY TYCO ELECTRONICS CORPORATION. ALL RIGHTS RESERVED.

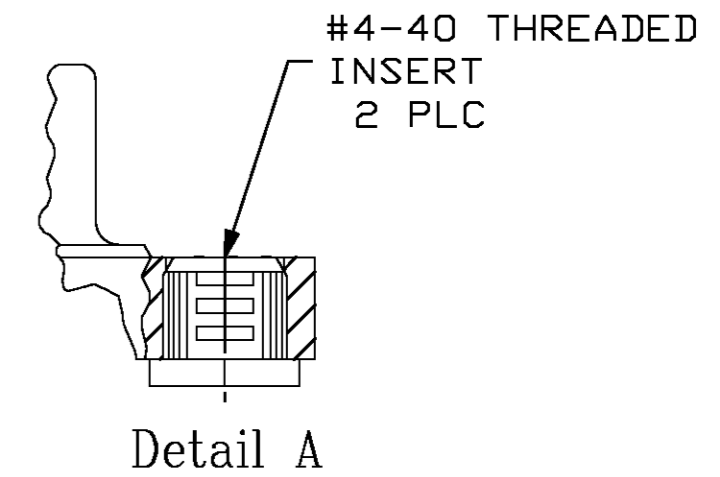
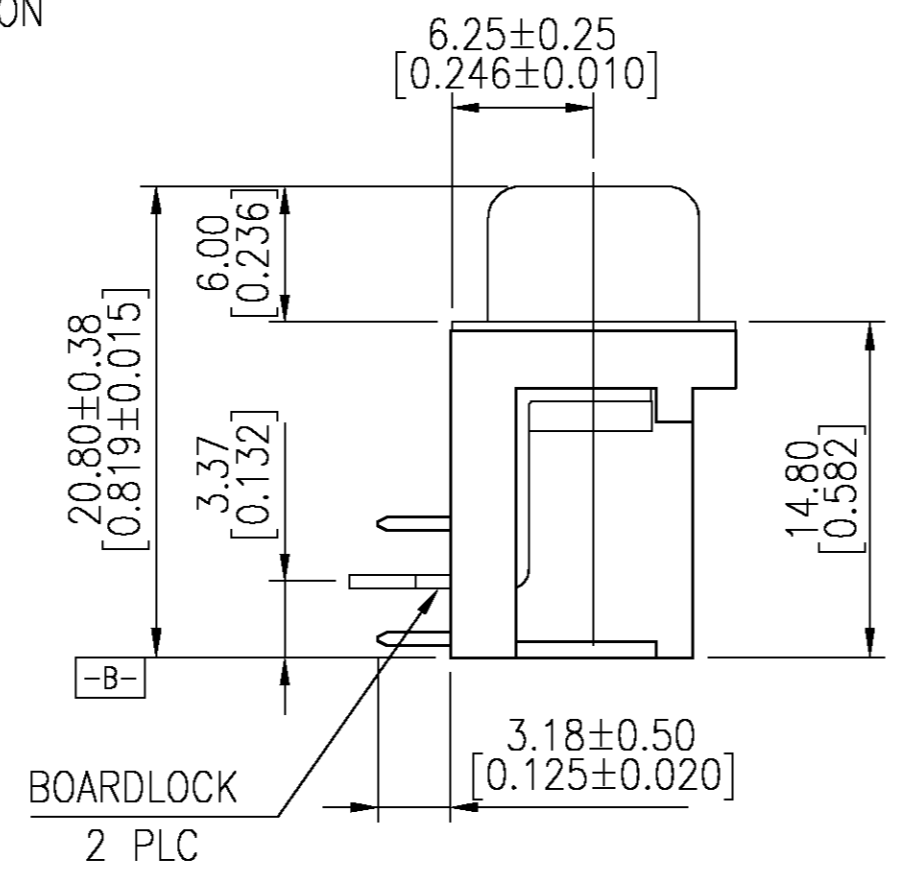
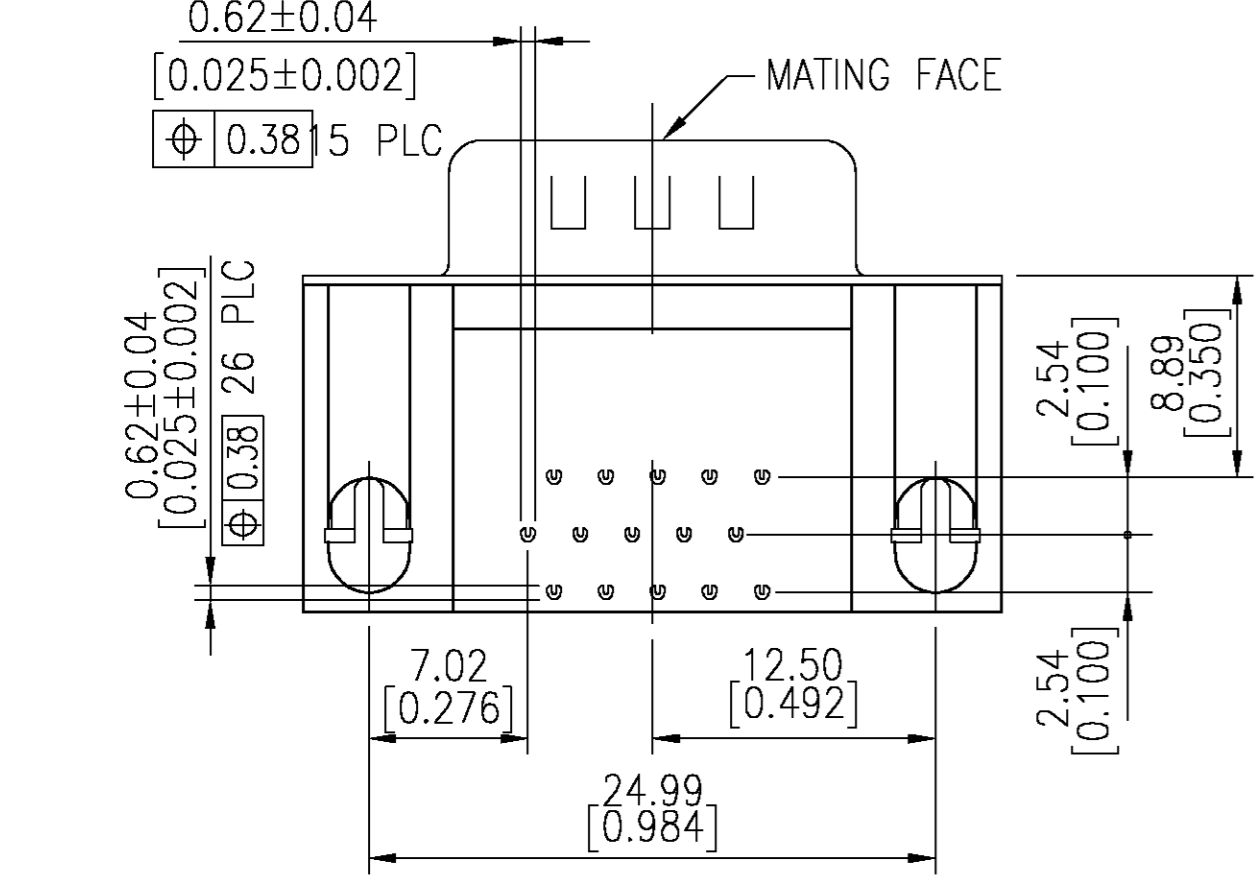
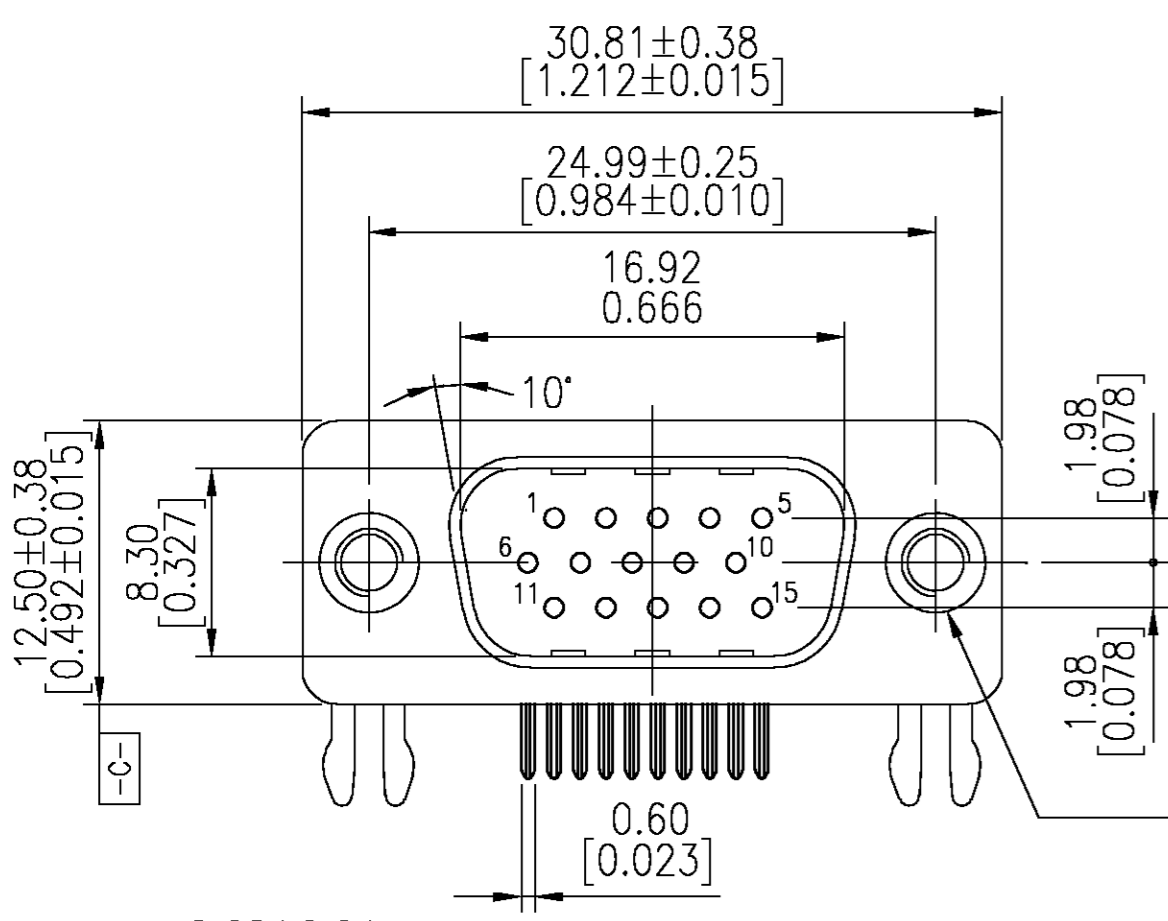
LOC		DIST		REVISIONS			
P	LTR	DESCRIPTION	DATE	DWN	APVD		
GP	00						
	K	REVISED PER EC OS13-0175-03	05MAY03	JG	CC		

MATERIAL:

- Housing: PBT , 30 % G.F polyester, Black.
(UL 94V-0 Rated)
 - Contact: Phos. Bronze.
 - Contact Plated: Gold Plated over 50u"
Nickel underplated.
 - Solder Tail: Tin/Lead Plated 120u" over 50u"
Nickel underplated.
 - Shell: Steel, Nickel Plated.
 - Boardlock: Brass, Tin Plated 100u"
- △ Four digit date code in this format.
- 01
45
 Year Manufacturing Week
- △ Solder Tail: Tin Plated 120u" over 50u"
Nickel underplated.



RECOMMENDED PCB LAYOUT



Tray	Detail A	△ 30 μ"	6-749767-7
Tray	Detail A	△ Gold flash	749767-3
Tray	Detail A	△ 15 μ"	749767-2
Tray	Detail A	△ 30 μ"	749767-1
Packaging	Mounting Flange	Contact Finish	AMP Part NO

THIS DRAWING IS A CONTROLLED DOCUMENT.		DWN J.BURWELL 22JULY02	Tyco Electronics Corporation	
DIMENSIONS: MM [INCHES]		CHK C.CASH 22JULY02	Tyco Electronics	
TOLERANCES UNLESS OTHERWISE SPECIFIED:		APVD -	NAME	
0 PLC ± -		PRODUCT SPEC -	AMPLIMITE HD-22	
1 PLC ± 0.30		APPLICATION SPEC -	15 POS PLUG, RIGHT ANGLE	
2 PLC ± 0.20		WEIGHT -	SIZE A2	CAGE CODE 00779
3 PLC ± 0.10		FINISH -	DRAWING NO C=749767	RESTRICTED TO -
4 PLC ± -		CUSTOMER DRAWING	SCALE 3:1	SHEET 1 OF 1
ANGLES ± 2°			REV K	