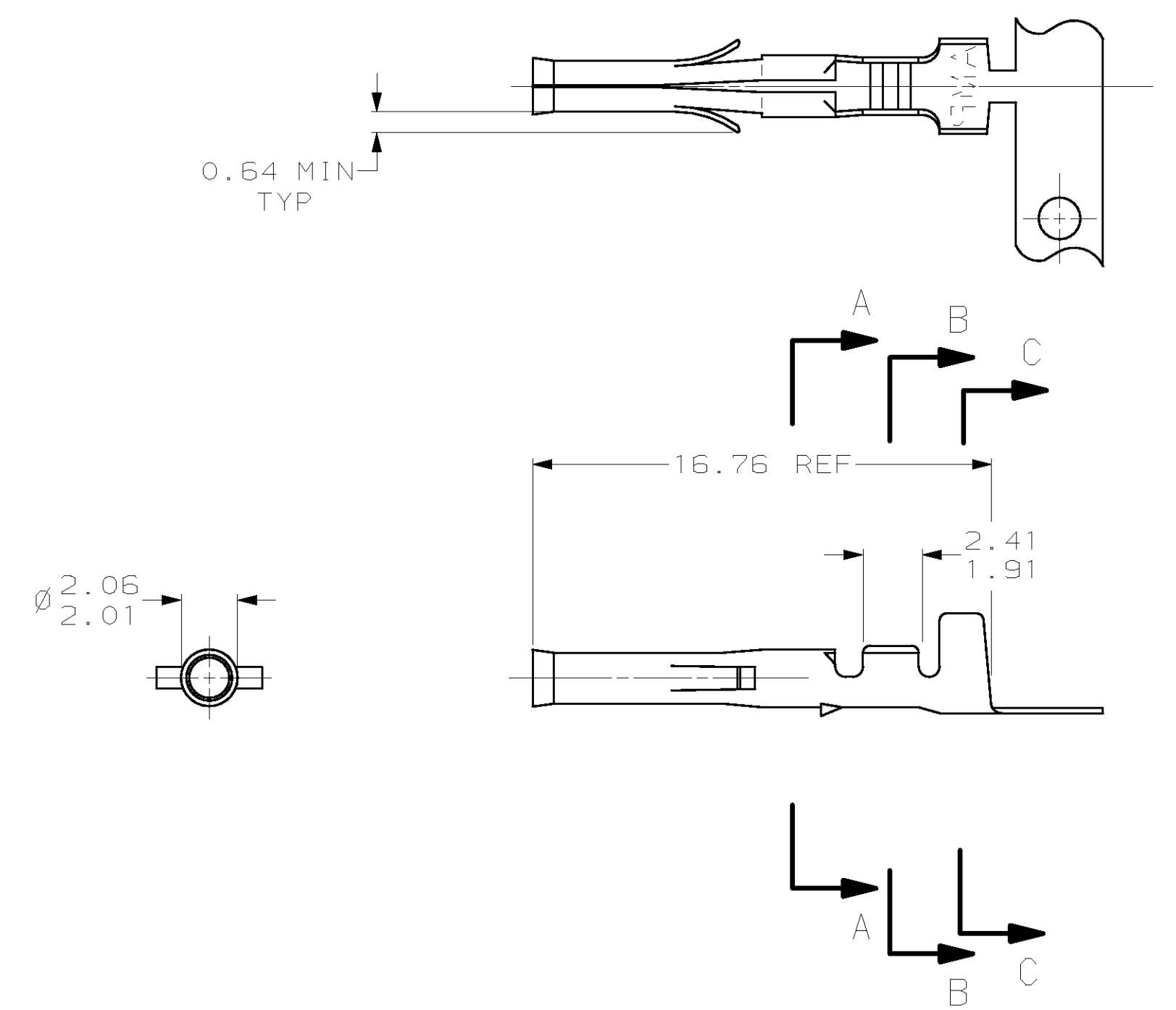
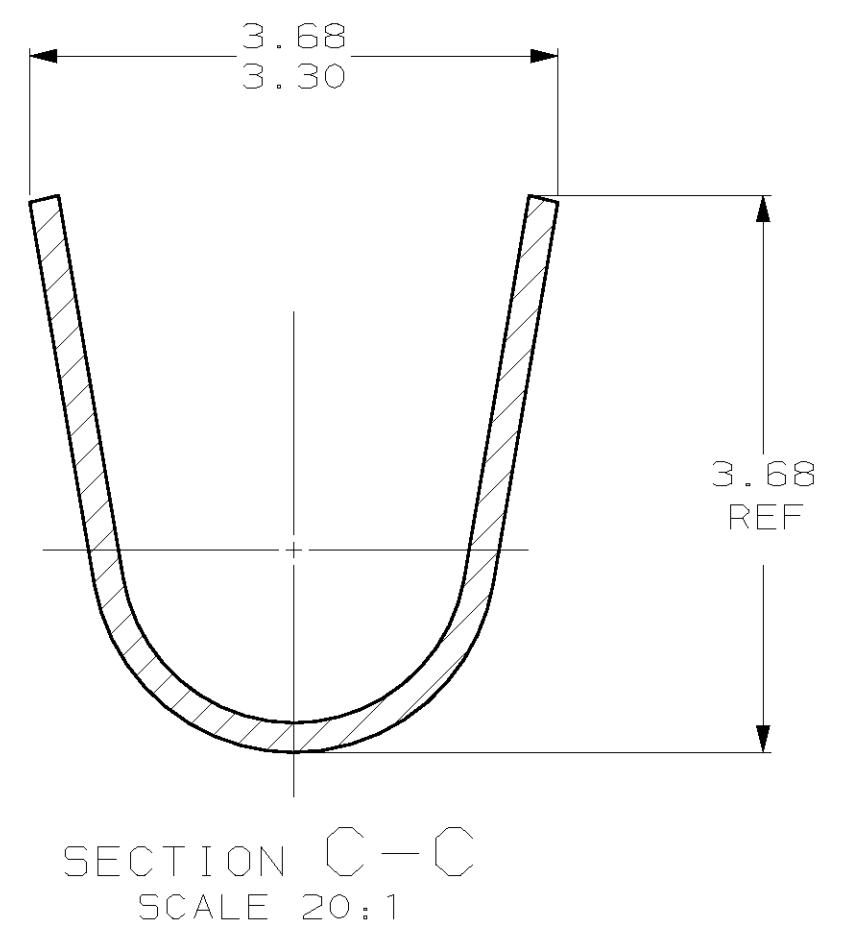
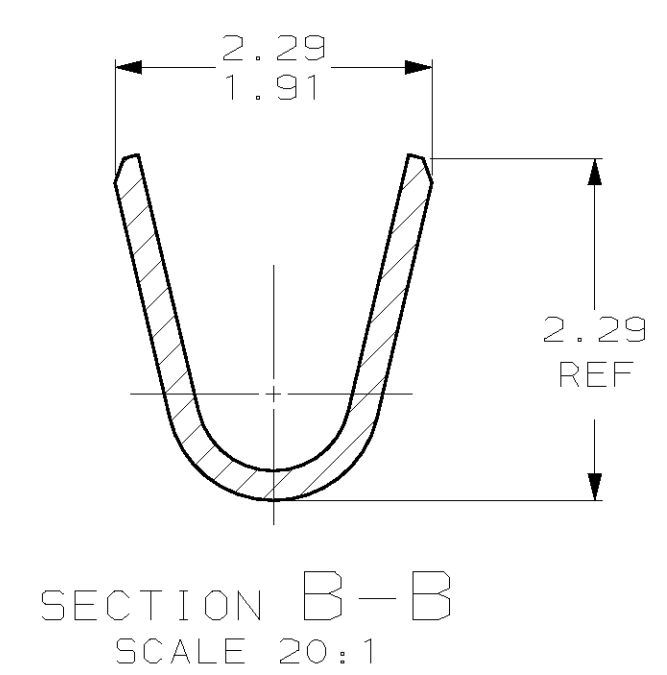
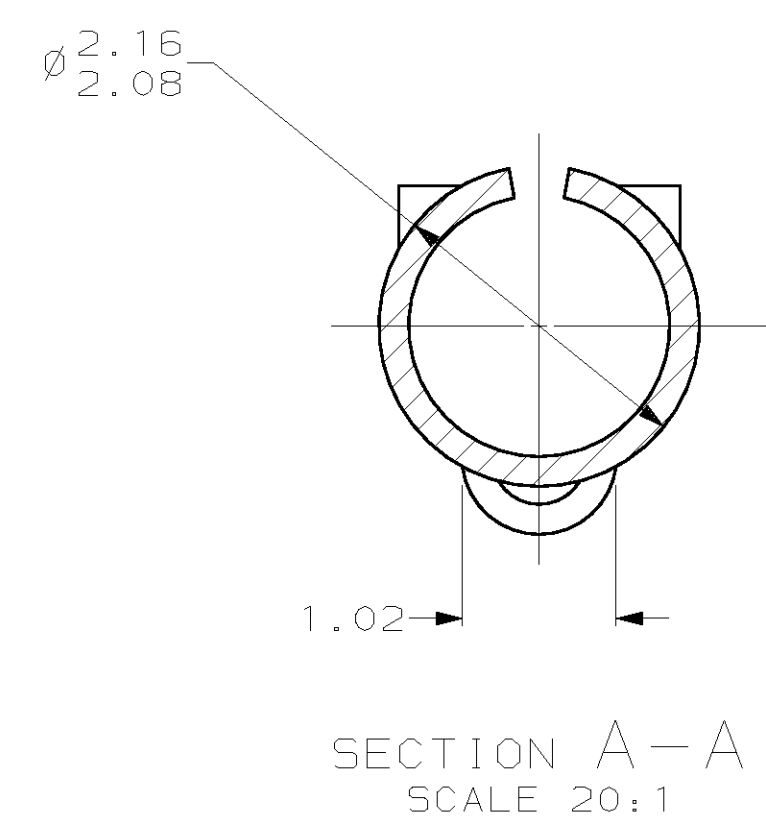


LOC	QTY	REV	DESCRIPTION	DATE	OWN	APVD
CM	53	0	RLSD -1 PER PR CM 97-63	5-13-97	RV	RS



MM	IN	MM	IN
2.06	.081	16.76	.660
2.01	.079	3.68	.145
1.91	.075	3.30	.130
1.02	.040	2.41	.095
0.64	.025	2.29	.090
0.20	.008	2.16	.085
0.13	.005	2.08	.082
MM	IN	MM	IN

CONVERSION TABLE

794380-1
PART NUMBER

METRIC

THIS DRAWING IS A CONTROLLED DOCUMENT.		OWN: R. VESTAL 5-13-97	AMP AMP Incorporated Harrisburg, PA 17105-3608
DIMENSIONS: mm		CHK: R. SWING 5-13-97	
TOLERANCES UNLESS OTHERWISE SPECIFIED:		APVD: C. CASH 5-13-97	NAME: .062 SOCKET, COMMERCIAL PIN AND SOCKET
0.13	±	PRODUCT SPEC: -	SIZE: A1
0.20	±	APPLICATION SPEC: -	SCALE CODE: C
0.64	±	HEIGHT: -	DRAWING NO: 794380
1.27	±	MATERIAL: 0.20 BRASS	FINISH: PRE-TIN
2.54	±	CUSTOMER DRAWING	SCALE: 5:1
ANGLES: 45°/30°			SHEET 1 OF 1
			REV 0