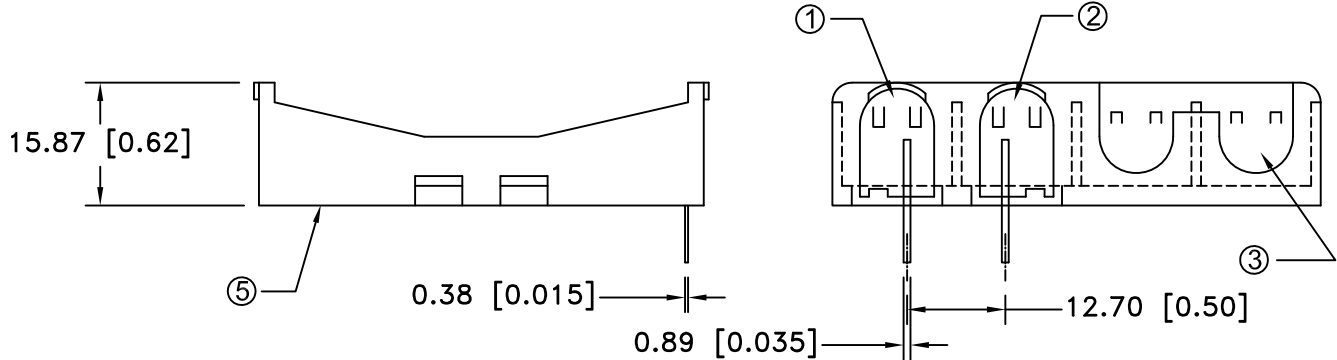
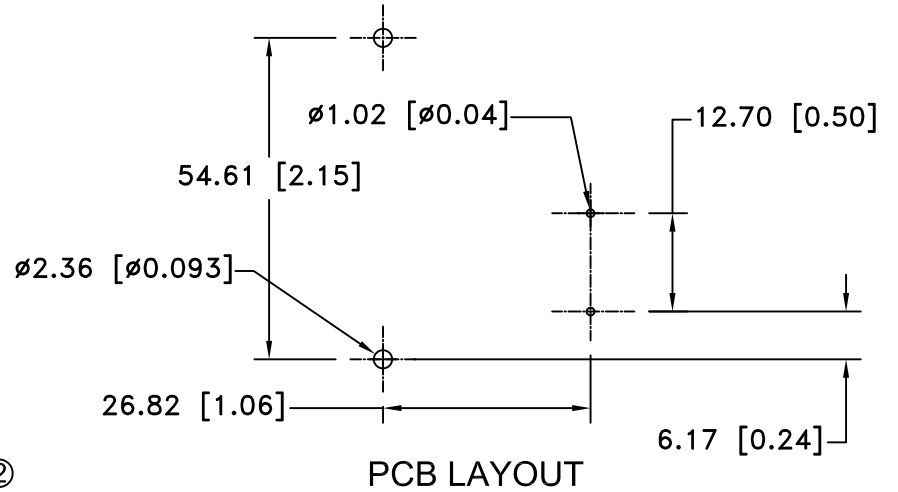
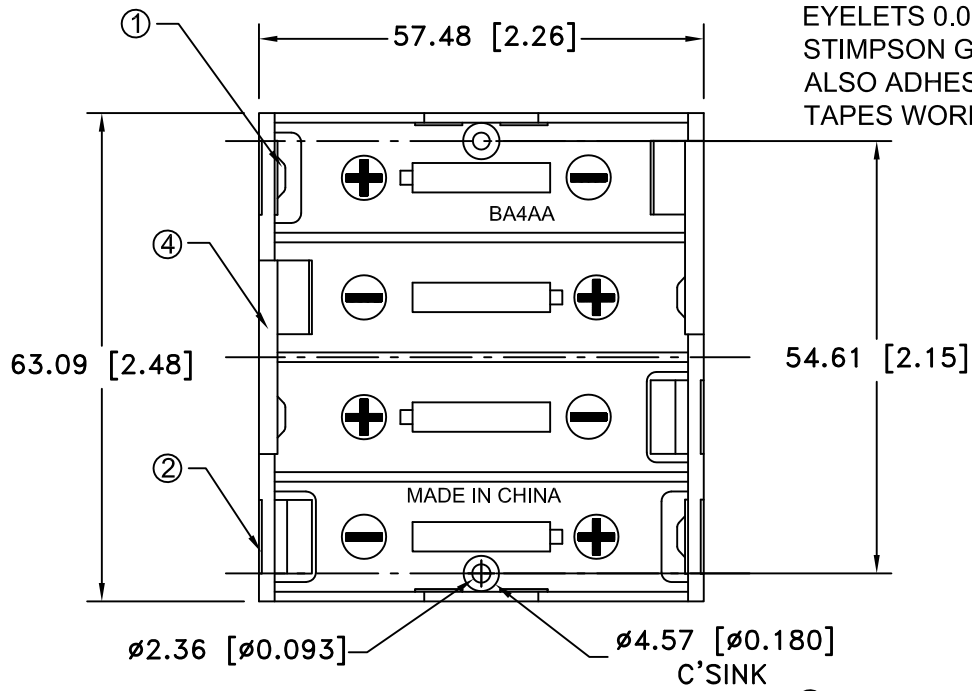


Date	SYM	REVISION RECORD	AUTH	DR.	CK.
10/02/04	A	55.88 was 54.61	T.B.	B.S.	
10/28/06	B	Added mounting instruction. Ø2.36 was 2.18. Ø4.57 was 4.70	T.B.	B.S.	
11/11/06	C	54.61 was 55.88	T.B.	B.S.	
10/09/09	D	Added specification.	T.B.	B.S.	

MOUNTING INSTRUCTION:
 USE 2-56 MACHINE SCREWS OR EYELETS 0.089" OD BY 0.15" FLANGE STIMPSON GS-3 SERIES OR EQUIVALENT. ALSO ADHESIVES AND DOUBLE SIDED TAPES WORK WELL.



SPECIFICATION:
 1. HOUSING : BLACK POLYPROPYLENE
 FLAMMABILITY RATING -UL94-HB, UL FILE NO. E216959
 TEMPERATURE RANGE: -10°C to +100°C
 CONTACTS: NICKLE PLATED STAINLESS STEEL
 CONTACT RESISTANCE: UNDER 50mΩ FOR +/- CONTACTS PER EIA-540J000
 ROHS COMPLIANT

ITEM NO.	PART NO.	MATL. SPECIFICATION	QTY.	Tolerance (Except as noted)	Memory Protection Devices, Inc 200 Broad Hollow Road, Farmingdale, New York 11735		
1	ABG-194	POSITIVE CONTACT, 302 STAINLESS STEEL, NICKLE PLTD.	2	decimal	Scale	Drawn By B.S.	Title FOUR "AA" CELL SPRINGLESS HOLDER
2	ABG-195	NEGATIVE CONTACT, 302 STAINLESS STEEL, NICKLE PLTD.	2				
3	ABG-196-1	RIGHT NEG./POS. CONTACT, 302 STAINLESS STEEL, NICKLE PLTD.	1	±.5 (.020)	Date	Approved By T.B.	Drawing Number
4	ABG-196-2	LEFT NEG./POS. CONTACT, 302 STAINLESS STEEL, NICKLE PLTD.	1				
5	ABG-187	BLACK POLYPROPYLENE HOLDER, UL94-HB	1	Fractional ± .8 (.030)	10/09/09		BA4AAPC
				Angular ± 3°			