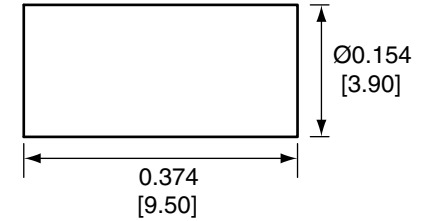
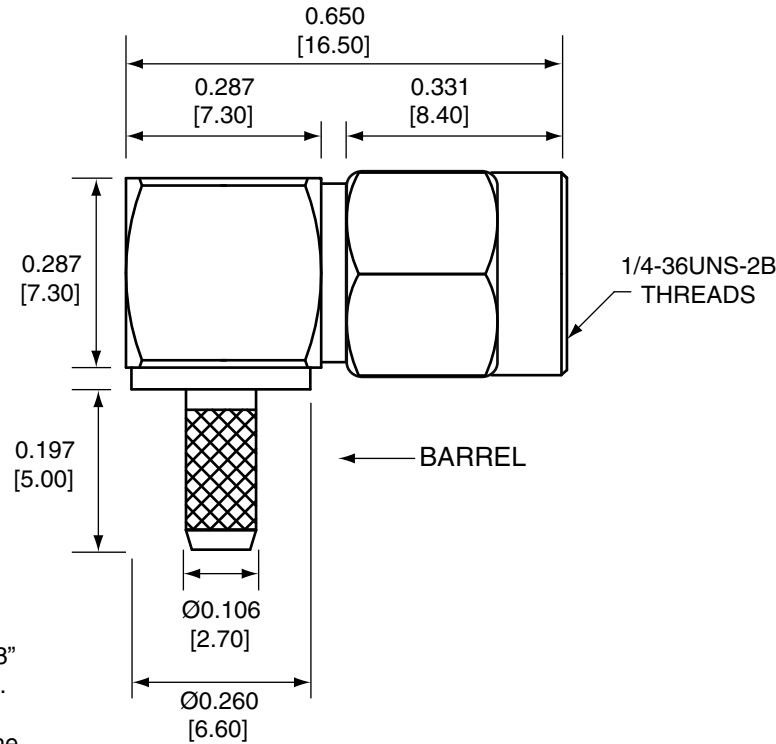
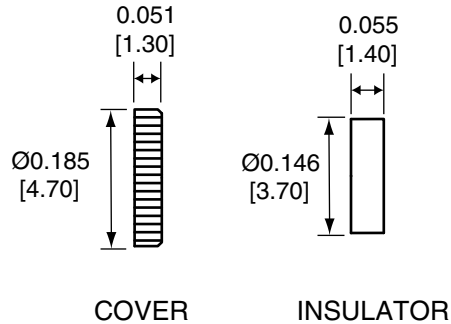
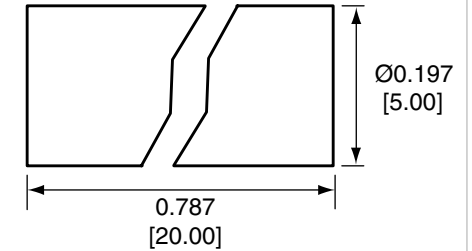


Description	Material	Finish
Body	Brass	Nickel
Socket	Be Cu	Gold
Insulation	PTFE	N/A
Washer	Ph Bronze	Nickel
Gasket	Si Rubber	N/A
Crimp Ring	Brass	Nickel
Insulator	PTFE	N/A
Cover	Brass	Nickel
Heat Shrink	Polyolefin	Black

REVISIONS			
REV	DESCRIPTION	DATE	APPV
B	Add Heat Shrink to Drawing	28-JUL-09	CJ
C	Updated dimensions, instructions; Added new title block	2-JUL-12	SAH
D	Updated cable stripping dimensions	24-MAY-16	SAH



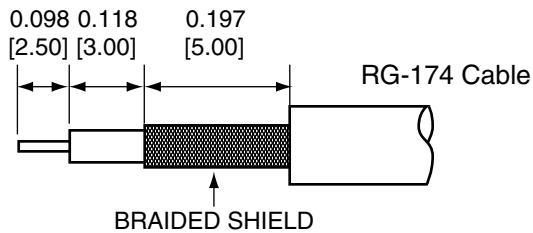
CRIMP RING



HEAT SHRINK

CONREVSMA012 ASSEMBLY INSTRUCTIONS

1. Strip the cable to the recommended dimensions.
2. Slip heat shrink and crimp ring onto stripped cable.
2. Slide the cable into the body until the center conductor is centered in the fork.
3. Push the braided shield over the barrel.
4. Solder the center conductor into the center of the fork.
5. Slide the crimp ring over the shield and crimp with a 0.128" hex crimp tool (or one labeled for use with RG-174 cable).
6. Trim off any excess shield wire sticking out from the ring.
7. Slip the heat shrink over the crimp ring until it is against the body and shrink.
8. Insert insulator into body.
9. Push the cover into the opening.



RECOMMENDED CABLE STRIPPING DIMENSIONS

SIDE VIEW

NOTES: (UNLESS OTHERWISE SPECIFIED)

1. ALL DIMENSIONS ARE IN INCHES [mm].
2. DIMENSIONS APPLY AFTER FINISHING.
3. MANUFACTURE TO BE COMPLIANT WITH EU RoHS DIRECTIVE.
4. SAFETY BREAK ALL SHARP CORNERS AND EDGES .02 MAXIMUM.

WARNING: THIS DRAWING CONTAINS PROPRIETARY INFORMATION THAT IS THE SOLE PROPERTY OF LINX TECHNOLOGIES, AND SHALL BE TREATED AS SUCH. NO DISCLOSURE OR REPRODUCTION OF THIS DOCUMENT IS PERMITTED, IN WHOLE OR IN PART, WITHOUT THE EXPRESS WRITTEN PERMISSION OF LINX TECHNOLOGIES OR ITS DESIGNATED AGENTS.

MATERIAL:	TOLERANCES: .020 [0.50]-.200 [5.00]= ±.008 [0.20] .200 [5.00]-1.200 [30.00]= ±.016 [0.40] 1.20 [30.0]-4.75 [120.0]= ±.024 [0.60] 4.75 [120.0]-12.40 [315.0]= ±.040 [1.0]	PROJECTION:
FINISH:	DRAWN: B.MURPHY	DT: 2-JUL-12
	ENGR: S.HOGAN	DT: 24-MAY-16

		159 ORT LANE MERLIN, OR 97532	
TITLE: RP-SMA MALE RIGHT ANGLE CABLE END CRIMP FOR RG174 CABLE			
SIZE A	DWG. NO. CONREVSMA012	REV D	
SCALE: 2:1	DO NOT SCALE DRAWING	SHEET 1 OF 1	