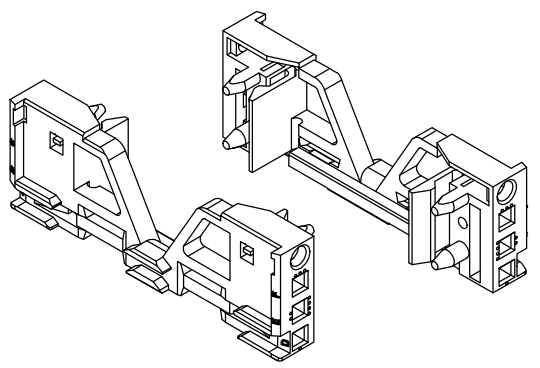
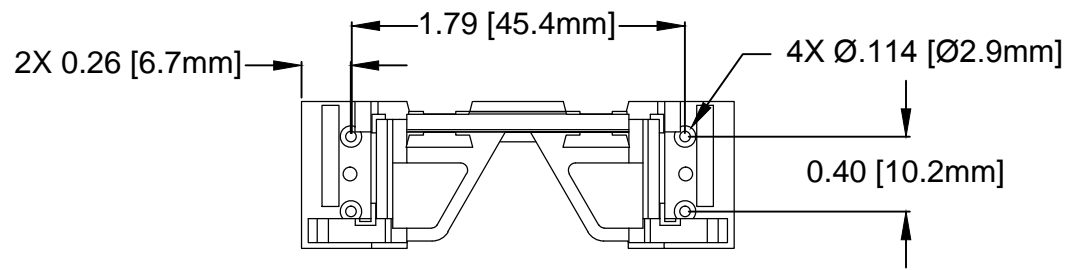
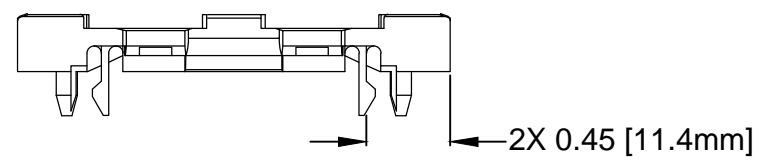
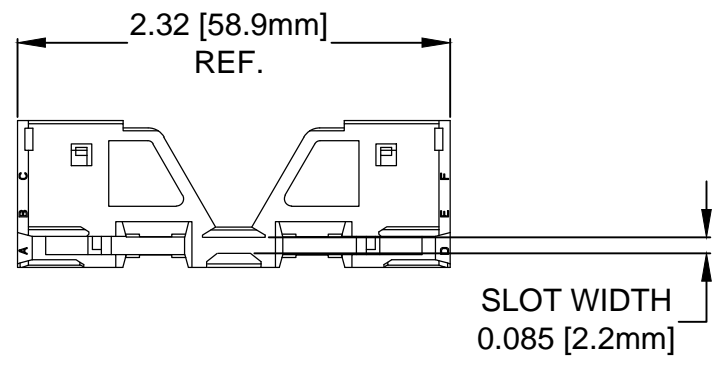
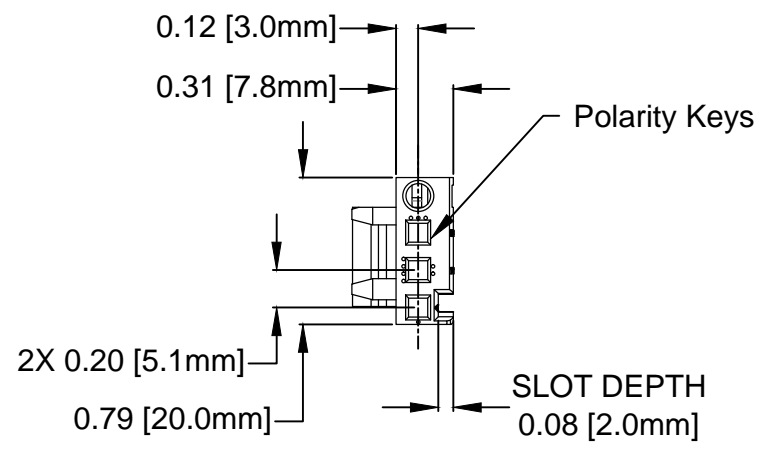



REV.	DESCRIPTION	DATE	APPROVED
B	Engineering Release.	11/20/14	J. C.



- 2. MATERIAL: POLYCARBONATE, 20% GLASS FILLED
- 1. GENERAL SPECIFICATIONS: BIVAR MOLDED COMPONENT SPECIFICATION BV00-E101.

STANDARD TOLERANCE (UNLESS OTHERWISE SPECIFIED)		 BIVAR [®] 4 THOMAS, IRVINE, CA. 92618 TEL: (949) 951-8808 FAX: (949) 951-3974	
DECIMALS	ANGULAR		
.X ± .1	X° ± 1°	TITLE: 80mm COMPACT-PCI CARD GUIDE	
.XX ± .01			
.XXX ± .005		REVISION: B	
DESIGNED: Alex Wright	DATE: 08/21/14	PART NO: CPCI-80	
CHECKED: Brian Oliver	DATE: 08/21/14	CAGE CODE : 32559 SHEET # 1 OF 1	
CAD GENERATED DOCUMENT, DO NOT MEASURE DRAWING.			