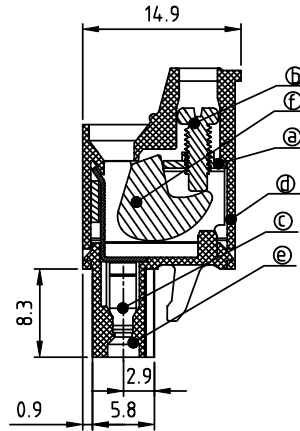
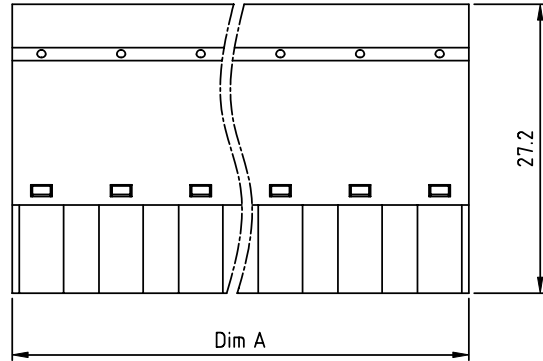
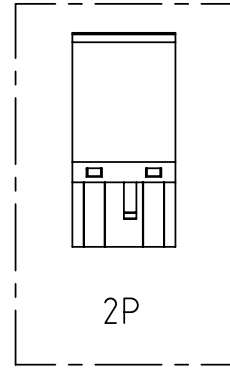
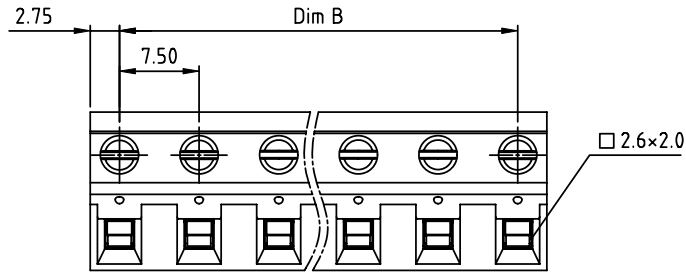


PRODUCT NUMBER	PITCH
VMxxA5x100J0G	7.50 mm



Material:

- Item (a) Clamp: Steel zinc plated.
- Item (b) Terminal screw: Steel Zinc plating "-" slot type
- Item (c) Female contact: High conductivity copper, Tin plated
- Item (d) Terminal (top body): Thermoplastic (UL94V-0)
- Item (e) Terminal (bottom body): Thermoplastic (UL94V-0)
- Item (f) Clampage: Steel Zinc plated

Electrical cULus

- Voltage rating: 300VAC
- Current rating: 20A
- Wire range: 0.34-2.5mm<sup>2</sup>
- Solid wire(AWG): 12-22
- Stranded wire(AWG): 12-22
- Torque: 3.5Lb-In
- Screw: M2.5
- Wire strip length: 6-7mm
- Withstanding Voltage: 1.6KV
- Operating temperature: -40°C to +115°C
- Safety approval:

DIMENSION

Dim A	N×7.5-2
Dim B	(N-1)×7.5

N=Number of poles

Poles	Tolerance
2p-4p	±0.10
5p-8p	±0.20
9p-12p	±0.30
13p-16p	±0.40

PART NO.: VM xx A5 x 1 00J0 G

	Solid block	No. of poles	Color	RoHS compliant (lead<4%) In copper Alloy
0	Black (RAL9005)			
02	2 poles	3	Red (RAL3001/D)	
03	3 poles	4	Orange(RAL2011/P)	
...	...	5	Yellow(RAL1018/A)	
...	...	6	Green(RAL6018/T)	
16	16 poles	8	Blue (RAL5015/A)	
		8	Grey(RAL7035/D)	
		9	White(RAL1102)	
		C	Green(RAL6018/U)	

mat'l. code				surface ASME Y14.5 ✓	tolerance ASME Y14.5	projection 	product family TERMINAL BLOCK	
itr ecn no dr date				tolerances unless otherwise specified		MM	title TERMINAL BLOCK	
				angles 	X.±0.5 X.X±0.3 X*±1*		scale PLUGGABLE PLUG, WITHOUT FLANGE, LOW PROFILE	
				dr	EVIN ZHONG	042114	dwg no	
				enr	EVIN ZHONG	042114	sheet 1 of 1	
				chr	HANKE FENG	042114	size A4	
				appd	SHI JUN	042114	type CUSTOMER Drawing	
sheet index	revision	A	1					