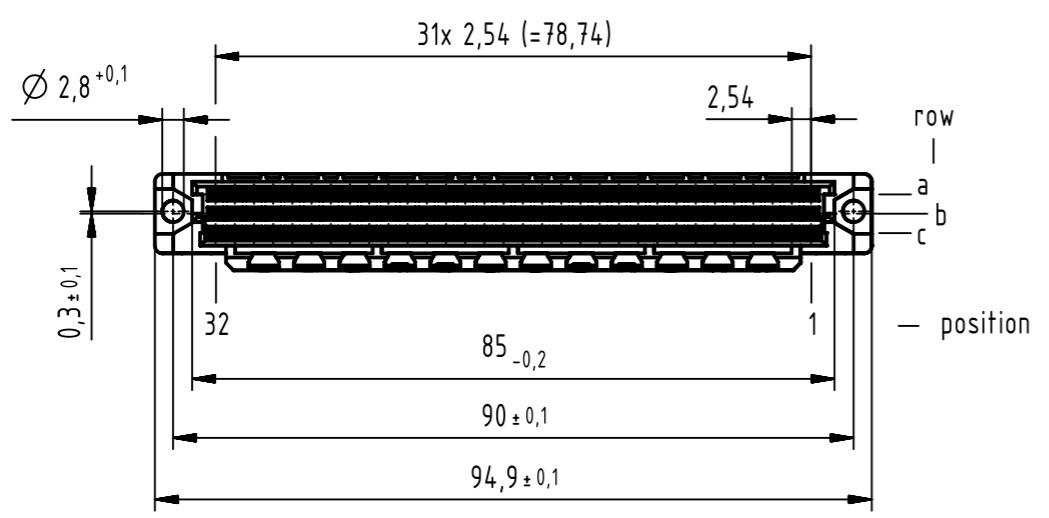
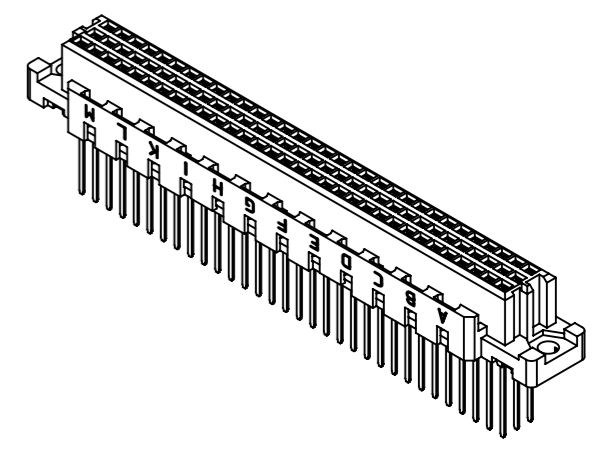
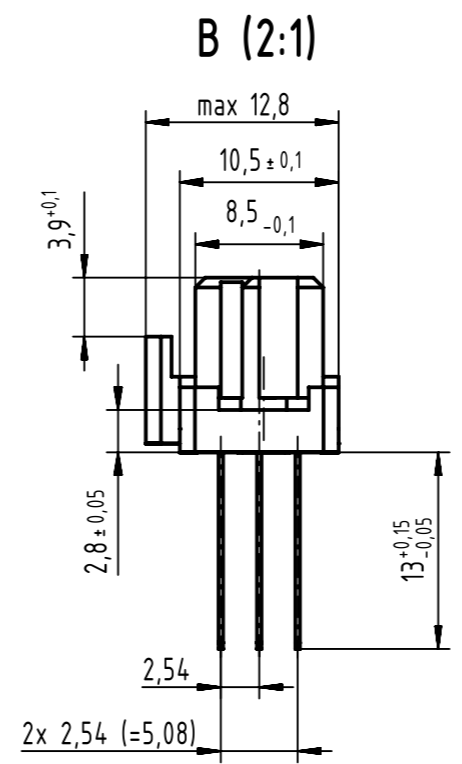
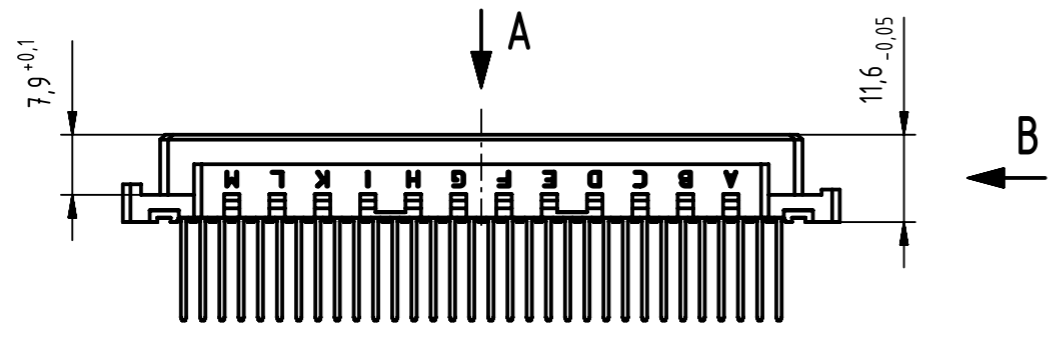


96 solder contacts

\boxtimes = position with contact

\square = position without contact



① further information see: DS 09032100001

09 03 796 6421	2
part-no	performance level ①

	All Dimensions in mm Original Size DIN A3	Scale 1:1	Free size tol. IEC 60603-2	Ref. Sub. TB 0903796X421 / Mod.34650 / 03.09.07		
	All rights reserved Department EC PD - DE	Created by ZWAHR	Inspected by LEHNERT	Standardisation HOFFMANN	Date 2014-12-11	State Final Release
HARTING Electronics GmbH D-32339 Espelkamp		Title DIN Signal type C female solder with coding 13.0			Doc-Key / ECM-Nr. 100173852/UGD/254/D 50000082368	
		Type TB	Number 0903796X421		Rev. D	Page 1/1