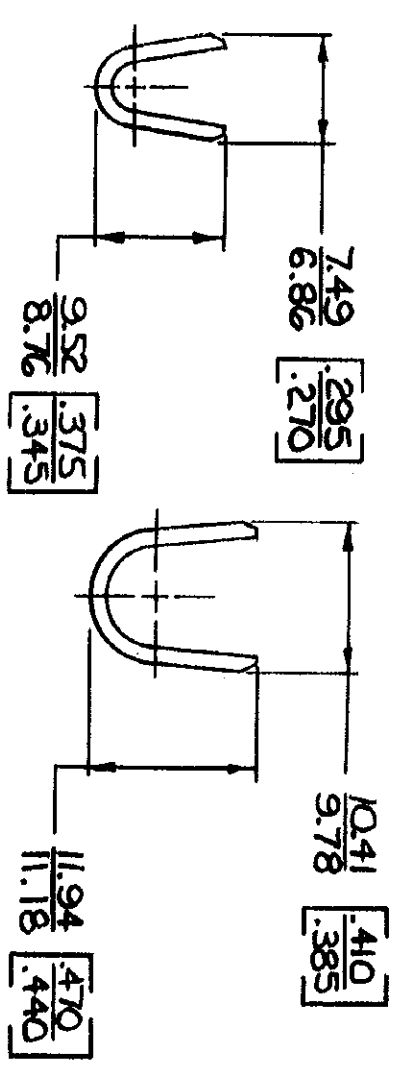
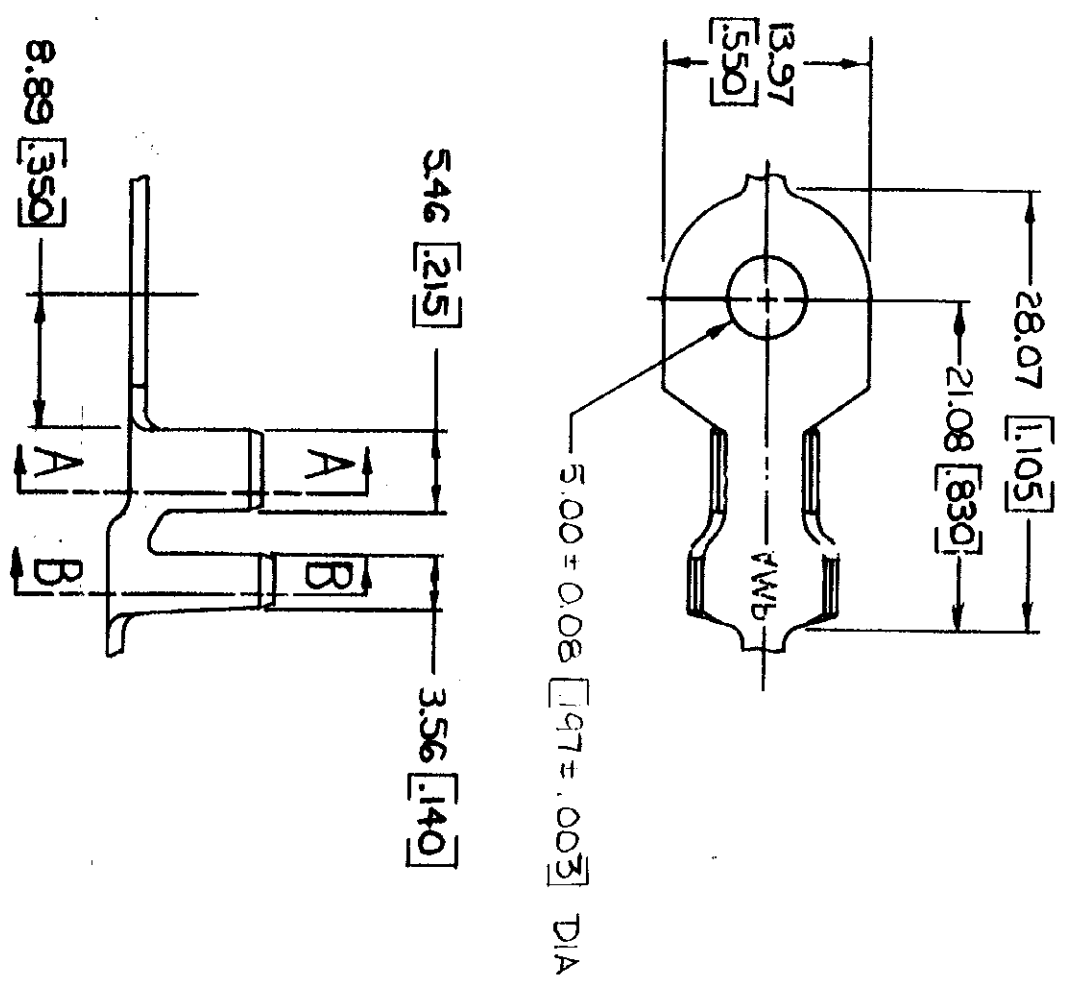


© COPYRIGHT 1964 BY AMP INCORPORATED, HARRISBURG, PA.
 ALL INTERNATIONAL RIGHTS RESERVED. AMP INCORPORATED PRODUCTS.
 COVERED BY U. S. AND FOREIGN PATENTS AND/OR PATENTS PENDING.



1. CONTINUOUS STRIP ON REELS.
 2. DIMENSIONS IN BRACKETS ARE IN INCHES.

METRIC

P		F		ZONE		LTR		REVISIONS		DATE	APPROVED
								REDRAWN & REVISED	A-3943	6/21/78	DC
											SS

STUD SIZE	INSULATION RANGE	WIRE RANGE	FINISH	MATERIAL	PART NO
#10	5.59 - 8.00 [220 - .315]	5.0 - 8.5 mm ² [10 - 8]	TIN	1.27 [050] COPPER	41808

UNLESS OTHERWISE SPECIFIED DIMENSIONS ARE IN DECIMALS ±.005 ANGLES ±1.0°		CONTRACT NO		NAME	
MATERIAL		DR Donald Wood 4/21/78		AMP INCORPORATED Harrisburg, Pa.	
SEE TABLE		CHK J. J. Hoffmann 7/19/78			
SEE TABLE		APPROVED R. J. Davis 8-1-78			
FINISH		APPROV Do. Clark 8-1-78			
SEE TABLE		OTHER APPD			
SIZE B		CODE IDENT NO 00779		DRAWING NO 41808	
SCALE 1:1				SHEET	

RING

