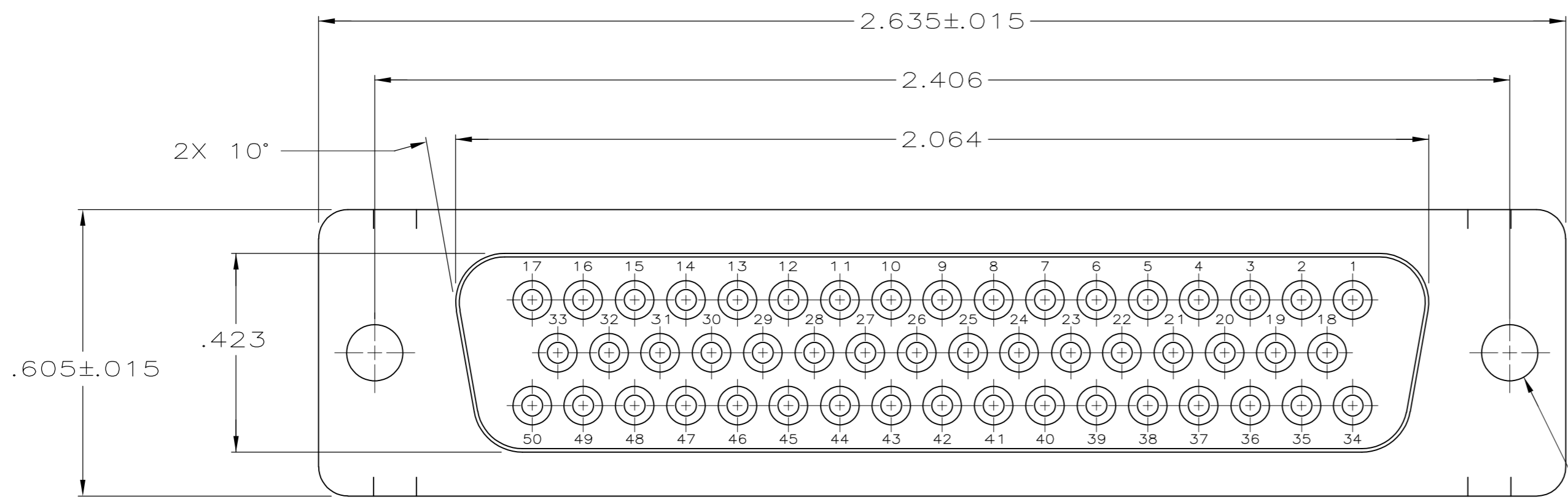
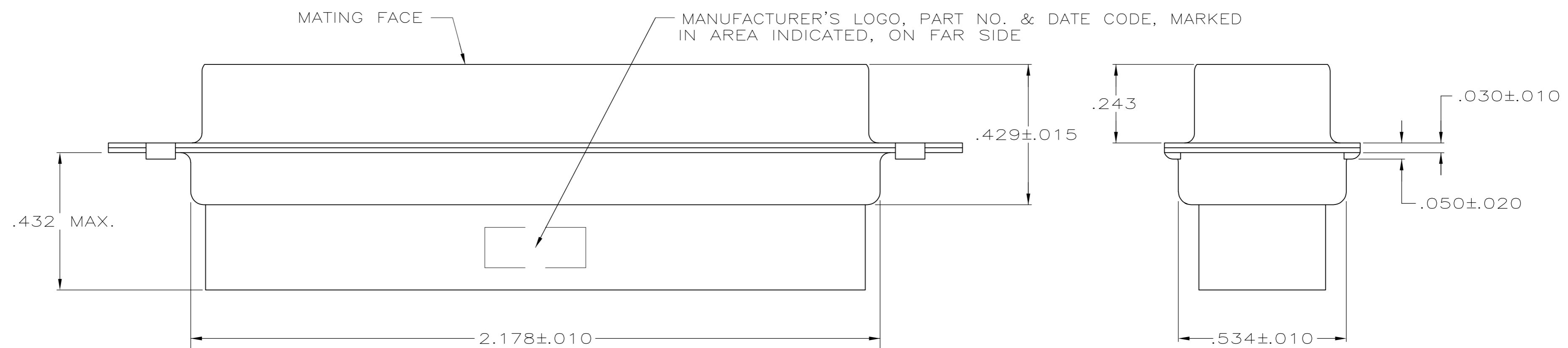


THIS DRAWING IS UNPUBLISHED. RELEASED FOR PUBLICATION  
 © COPYRIGHT - By - ALL RIGHTS RESERVED.

LOC	DIST	REVISIONS			
P	LTR	DESCRIPTION	DATE	DWN	APVD
GP	00	C1	REVISED PER ECO-11-004835	11MAR11	RK HMR



2X ØDIM A



- CONNECTOR ACCEPTS SIZE 20 DF SOCKET CONTACTS, RETENTION TINES ARE AN INTEGRAL PART OF INSERT.
- 2** MATERIAL:  
MOLDED PARTS - FLAME RETARDANT 94V-0 RATED, GLASS FILLED NYLON, BLACK.  
SHELLS - STEEL PER ASTM A109.
- 3** FINISH:  
SHELL - .000200 MIN TIN PLATE OVER .000100 MIN COPPER UNDERPLATE.
- 4** FINISH:  
SHELL - ZINC PLATED .000200-.000400 THICK, YELLOW CHROMATE COATING.

STANDARD	<b>4</b>	.120	1658640-2
STANDARD	<b>3</b>	.120	1658640-1
PACKAGING TYPE	FINISH	DIM A	PART NO.

THIS DRAWING IS A CONTROLLED DOCUMENT.		DWN	J.REITZEL	29 JUL 03	 TE Connectivity RECEPTACLE CONNECTOR, SIZE 5, 50 POS., AMPLIMITE HDP
DIMENSIONS: INCHES		CHK	S.BOLASH	29 JUL 03	
TOLERANCES UNLESS OTHERWISE SPECIFIED:		APVD	M.WALMSLEY	29 JUL 03	
0 PLC ± - 1 PLC ± - 2 PLC ± - 3 PLC ± .005 4 PLC ± - ANGLES ± 2°		PRODUCT SPEC	108-40005	NAME	
MATERIAL	<b>2</b>	FINISH	SEE TABLE	APPLICATION SPEC	114-40030
		WEIGHT	-	SIZE	A2
		CUSTOMER DRAWING		CAGE CODE	00779
		SCALE	4:1	DRAWING NO	C=1658640
		SHEET	1 of 1	RESTRICTED TO	-
		REV	C1		

1658640