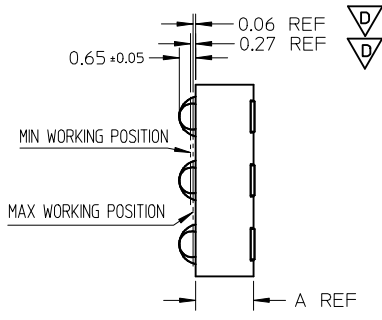
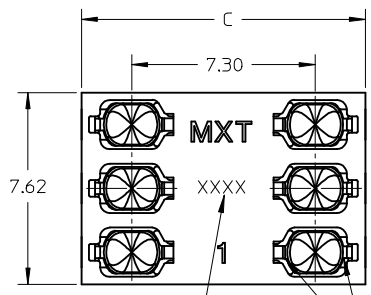
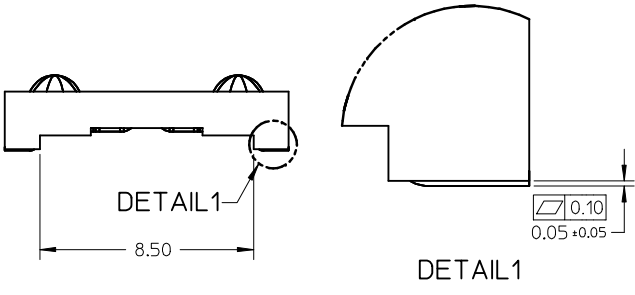
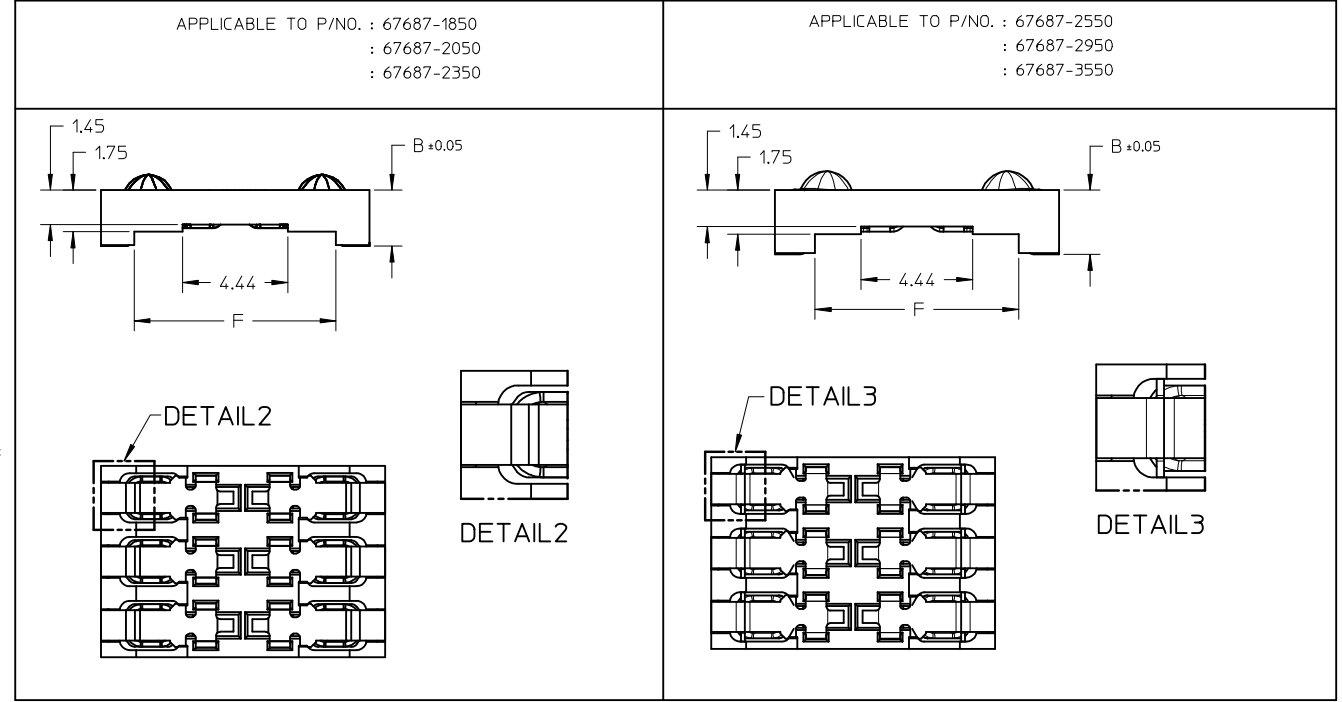


DIMENSION F	DIMENSION E	DIMENSION D	DIMENSION C	DIMENSION A	PART NUMBER
8.50	9.95	1.00	11.30	1.80	67687-1850
	10.05	1.20	11.70	2.00	67687-2050
	9.95	1.00	11.30	2.30	67687-2350
8.10	9.95	1.00	11.30	2.45	67687-2550
	9.95	1.00	11.30	2.90	67687-2950
	9.95	1.00	11.30	3.50	67687-3550

*.DIMB=DIMA+0.05

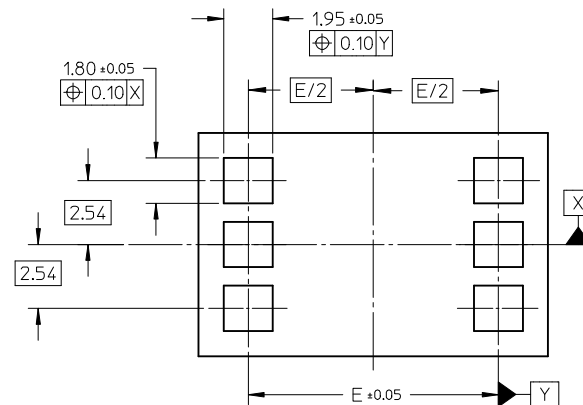
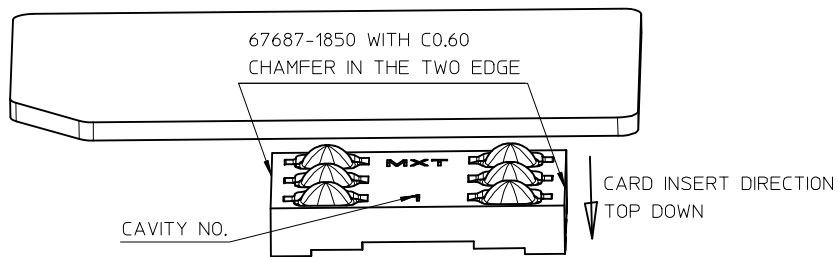


DATE CODE (INK JET)
 X X X X _DAY COUNTED FROM FIRST
 | | | | _DAY OF THE YEAR
 L - - - - -YEAR
 EX. 2002/01/15-->2015
 2002/02/10-->2041
 2003/03/10-->3069



NOTES:
 1.MATERIAL:
 HOUSING: HIGH TEMPERATURE PLASTIC,
 TERMINAL: COPPER ALLOY
 2.PLATING:
 CONTACT AREA PLATING:
 30u" MIN GOLD OVER 50u"MIN NICKEL PLATING
 SOLDERING AREA PLATING:
 100u" MIN PURE TIN OVER 50u"MIN NICKEL PLATING
 VISIBLE AREA PLATING:
 GOLD FLASH OVER 50u" MIN NICKEL PLATING
 3.PACKAGING: TAPE REEL
 4.PRODUCT SPECIFICATION: PS-67687-001
 5.COMPLIANT TO RoHS DIRECTIVE 2002/95/EC AND
 ELV DIRECTIVE 2000/53/EC.

ADD VIEW EC NO: S2013-0219 DRWN: JTAN02 CHKD: FC500 APPR: KHLIM 2012/11/05 2012/11/07 2012/11/16	DESCRIPTION QUALITY SYMBOLS $F_A=0$ $F_E=0$ $F_F=0$	GENERAL TOLERANCES (UNLESS SPECIFIED)		DIMENSION STYLE MM ONLY		SCALE NTS	DESIGN UNITS METRIC	THIRD ANGLE PROJECTION	
		4 PLACES ± --- ± --- 3 PLACES ± --- ± --- 2 PLACES ± 0.05 ± --- 1 PLACE ± 0.10 ± --- 0 PLACE ± ±	mm INCH ± --- ± --- ± 0.05 ± --- ± 0.10 ± --- ± ±	DRAWN BY SSUN	DATE 2004/11/04	TITLE 6 CKTS SIM CARD CONNECTOR SD DRAWING			
		ANGULAR ± 2 °		CHECKED BY RZHAO	DATE 2004/11/04	molex			
		DRAFT WHERE APPLICABLE MUST REMAIN WITHIN DIMENSIONS		APPROVED BY SAMHUANG	DATE 2004/11/04				
		SEE TABLE		THIS DRAWING CONTAINS INFORMATION THAT IS PROPRIETARY TO MOLEX INCORPORATED AND SHOULD NOT BE USED WITHOUT WRITTEN PERMISSION					



RECOMMENDED PCB LAYOUT

ADD VIEW EC NO: S2013-0219 DRWN: JTAN02 CHKD: FCS00 APPR: KHLIM	2012/11/05 2012/11/07 2012/11/16	DESCRIPTION REV	QUALITY SYMBOLS	GENERAL TOLERANCES (UNLESS SPECIFIED)		DIMENSION STYLE MM ONLY		SCALE NTS	DESIGN UNITS METRIC	THIRD ANGLE PROJECTION
			$F_A = 0$ $F_C = 0$ $F_P = 0$	mm INCH	DRAWN BY SSUN	DATE 2004/11/04	TITLE 6 CKTS SIM CARD CONNECTOR SD DRAWING			
				4 PLACES ± --- ± --- 3 PLACES ± --- ± --- 2 PLACES ± 0.05 ± --- 1 PLACE ± 0.10 ± --- 0 PLACE ± ±	CHECKED BY RZHAO	DATE 2004/11/04	molex			
			ANGULAR ± 2 ° DRAFT WHERE APPLICABLE MUST REMAIN WITHIN DIMENSIONS	APPROVED BY SAMHUANG	DATE 2004/11/04	MATERIAL NO. SEE TABLE	DOCUMENT NO. SD-67687-511	SHEET NO. 2 OF 2		