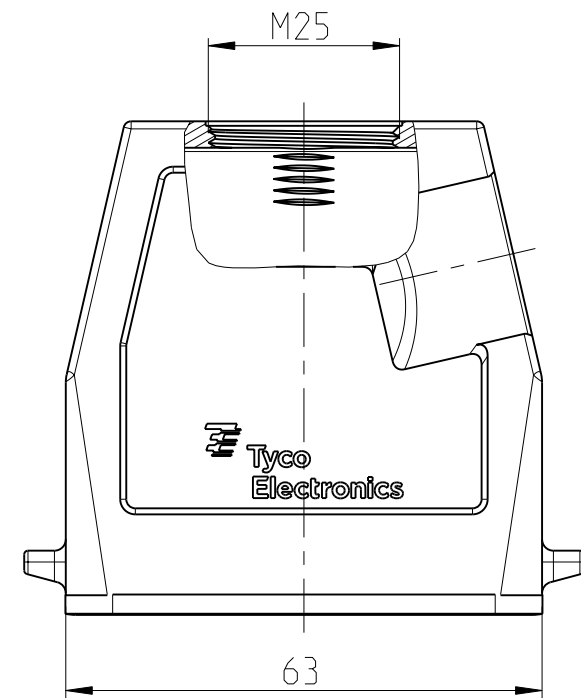


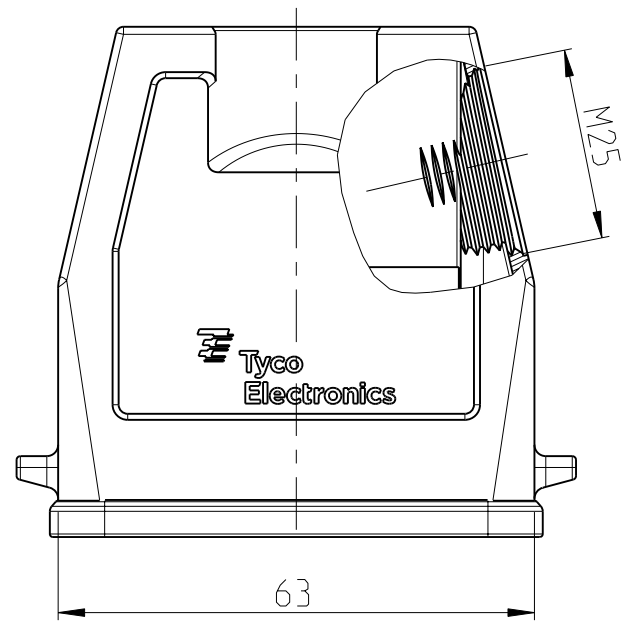
THIS DRAWING IS UNPUBLISHED. RELEASED FOR PUBLICATION 2009
 © COPYRIGHT 2009 BY TYCO ELECTRONICS CORPORATION. ALL INTERNATIONAL RIGHTS RESERVED.

LOC		DIST		REVISIONS			
P	LTR	DESCRIPTION	DATE	DWN	APVD		
A1	-						
	E3	ECR-09-022009	18NOV2009	SR	OD		

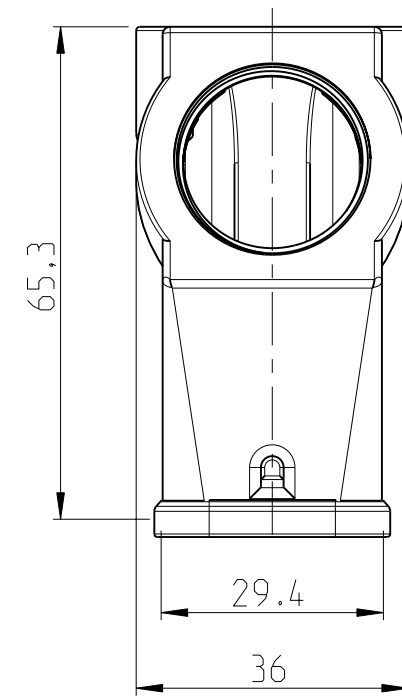
PN 0-1 AS SHOWN



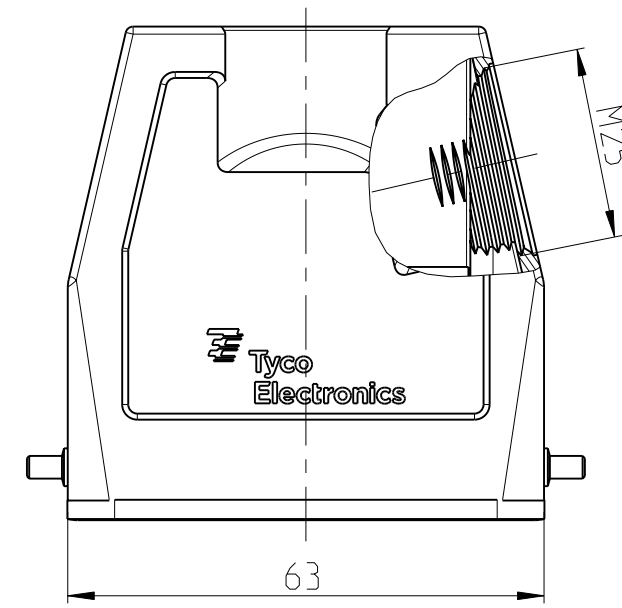
PN 0-2 AS SHOWN



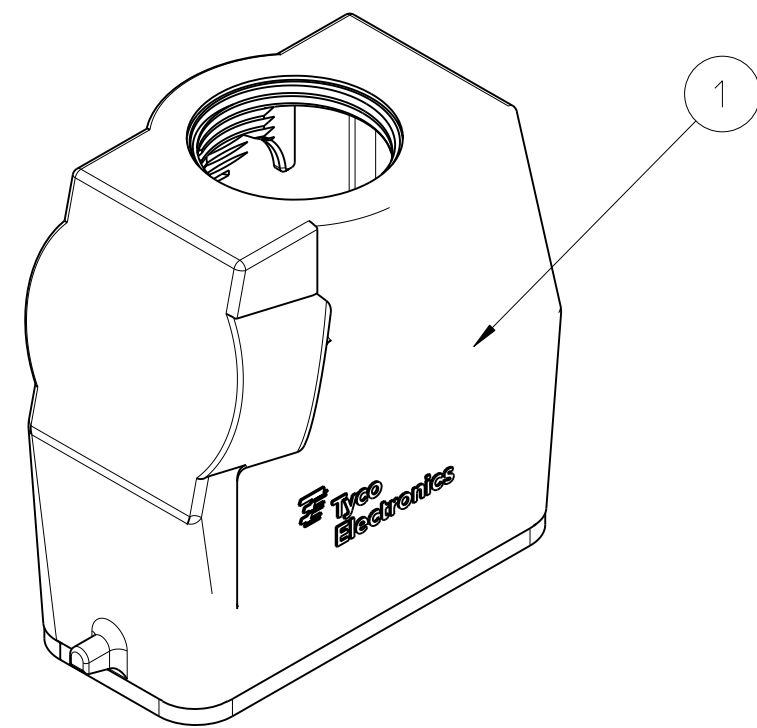
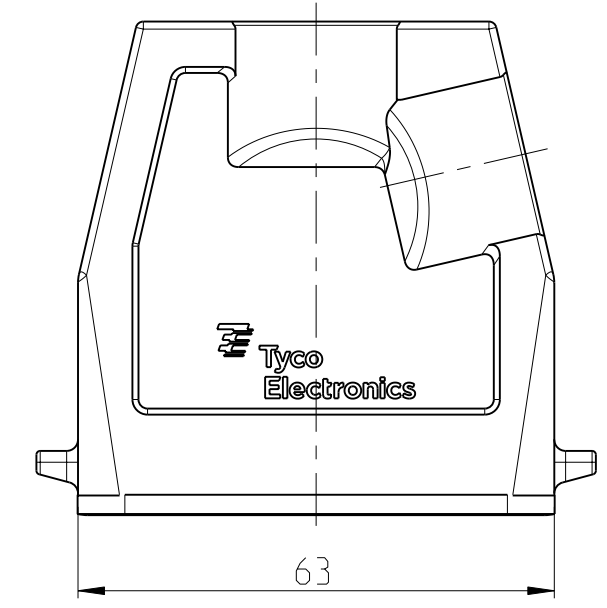
PN 0-2 AS SHOWN



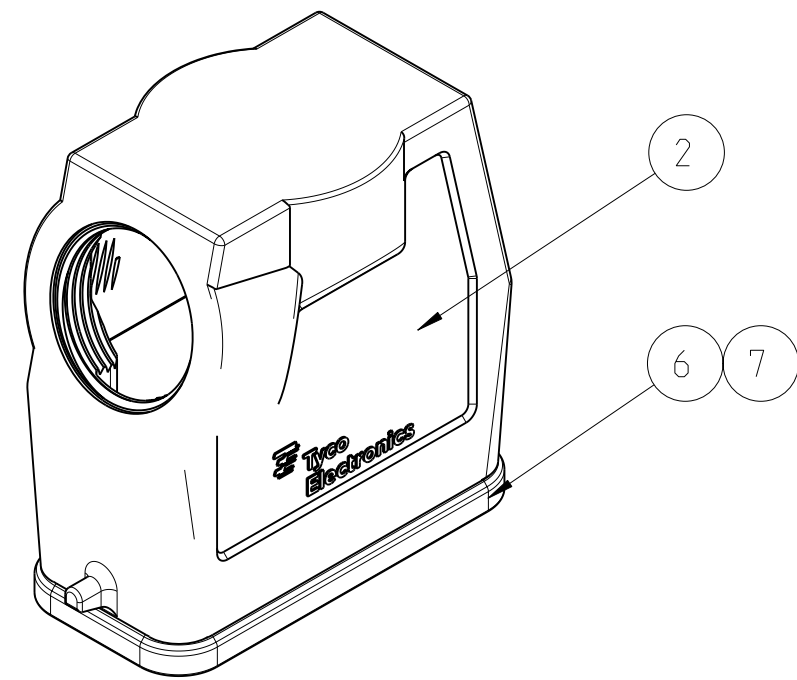
PN 0-4 AS SHOWN



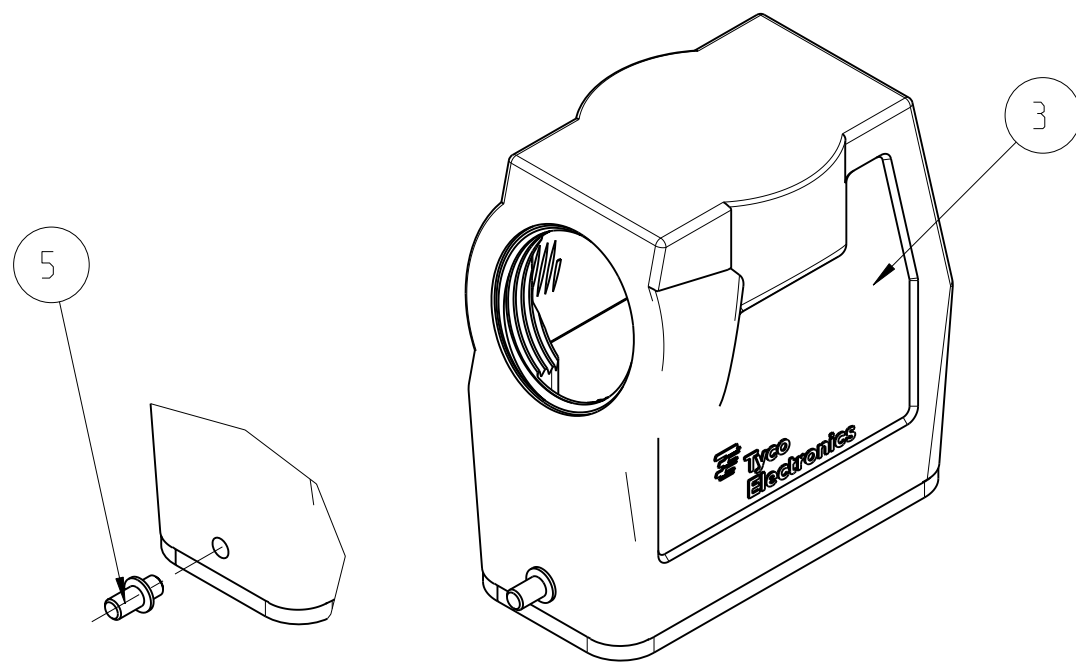
PN 0-5 AS SHOWN



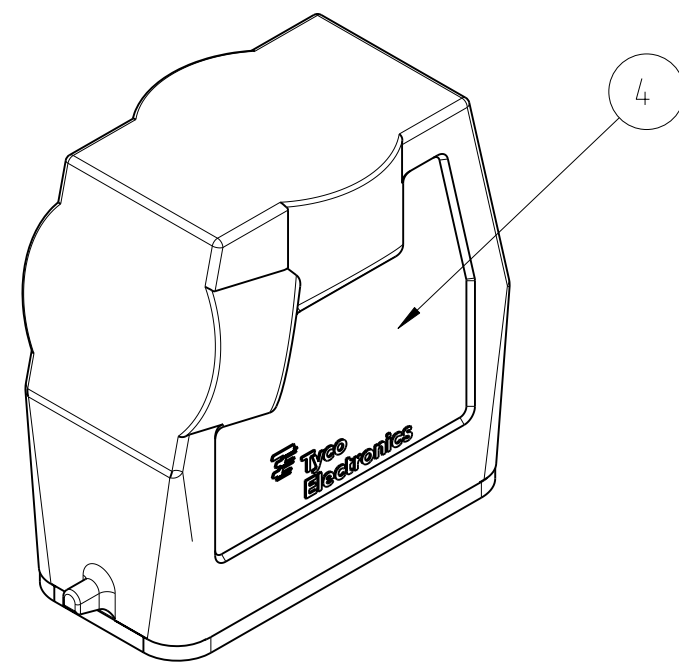
PN 0-1 AS SHOWN



PN 0-2 AS SHOWN



PN 0-4 AS SHOWN



PN 0-5 AS SHOWN

NOTES:

1 PACKAGING QUANTITY: 5 PIECES PER BOX

MATERIAL: HOUSING: ALUMINUM DIE CAST ALLOY
SEALS: NEOPRENE

2 SURFACE: VARNISH GREY
ALUMINUM OXIDE + VARNISH BLACK

3 VARNISH ON THE INSIDE NOT NECESSARY

QTY	QTY	QTY	QTY	DESCRIPTION	MATERIAL	SURFACE	COLOR	ITEM	NOTES
2	2	2	2	INSULATING TAPE	COROPLAST TYP 303		GREY RAL7001	7	PVC SOFT
1	1	1	1	PROFILE SEAL	NEOPRENE		BLACK	6	
	2			CLIP BOLT	STAINLESS STEEL	BLANK		5	
1				HOOD HD	ALU. ALLOY		GREY RAL7001	4	
	1			HOOD HD	ALU. ALLOY	ALUMINUM OXID	BLACK	3	
		1		HOOD HD	ALU. ALLOY		GREY RAL7001	2	
			1	HOOD HD	ALU. ALLOY		GREY RAL7001	1	
0-5	0-4	0-2	0-1	DESCRIPTION	MATERIAL	SURFACE	COLOR	ITEM	NOTES
				HD.15.STO.1.M25.G					
				HD.15.STS.1.M25.G					
				HD-K.15.STS.1.M25.G					
				HD.15.ST					

THIS DRAWING IS A CONTROLLED DOCUMENT FOR TYCO ELECTRONICS CORPORATION. IT IS SUBJECT TO CHANGE AND THE CONTROLLING ENGINEERING ORGANIZATION SHOULD BE CONTACTED FOR THE LATEST REVISION.

DWN: V. GLUMM, 18NOV2009
 CHK: -
 APVD: -
 PRODUCT SPEC: -
 APPLICATION SPEC: -
 WEIGHT: -

Tyco Electronics AMP GmbH
 53757 Sankt Augustin (Germany)

NAME: CONNECTOR HOUSING ASS'Y SERIES HD.15 METRIC THREAD

SIZE: A2, CAGE CODE: 00779, DRAWING NO: 1106414, RESTRICTED TO: -

CUSTOMER DRAWING, SCALE: 1:1, SHEET: 1 OF 1, REV: E3