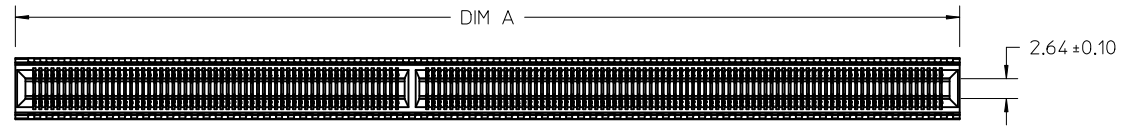
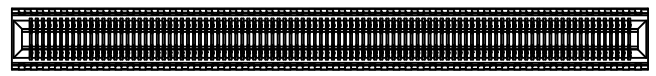


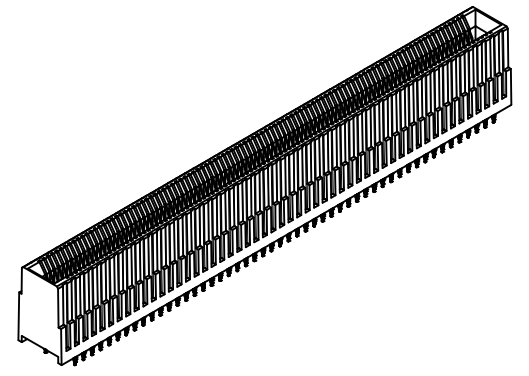
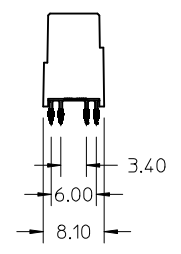
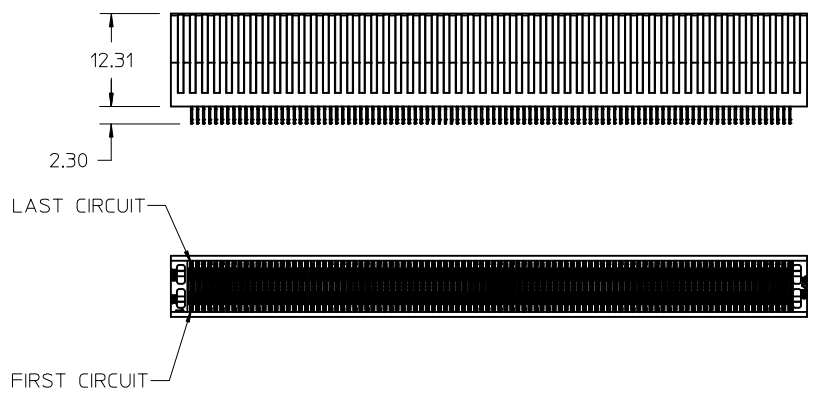
PART NUMBER	VERSION	BAY 1/BAY 2	TOTAL CIRCUITS	DIM A	SALES DRAWING (SEE NOTE 8)
170672-2294	2 BAY	122/172	294	125.03	SD-170672-2294
170672-2278	2 BAY	146/132	278	118.63	SD-170672-2278
170672-1200	1 BAY	200	200	84.20	SD-170672-1200
170672-1170	1 BAY	170	170	72.20	SD-170672-1170



2 BAY EDGELINE



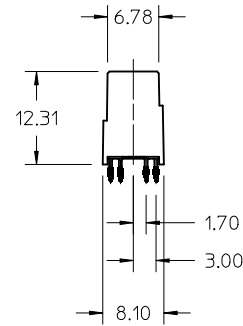
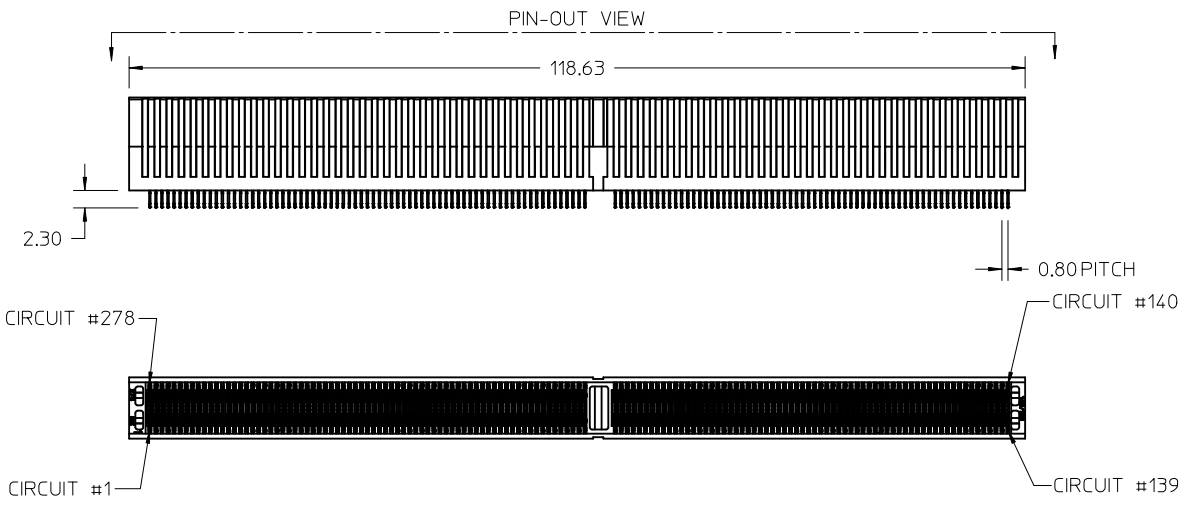
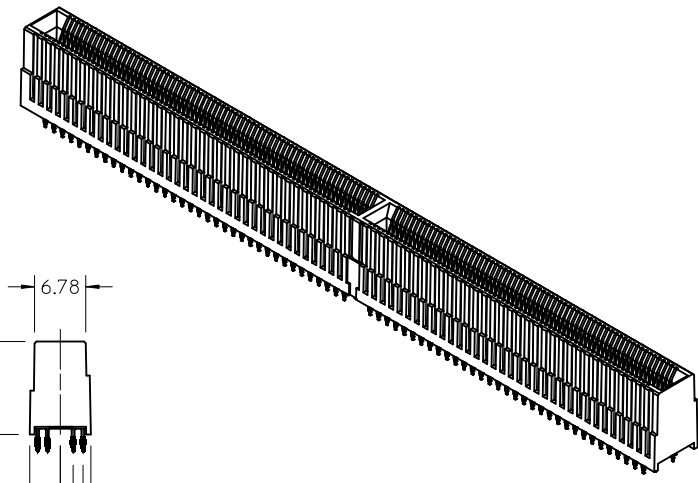
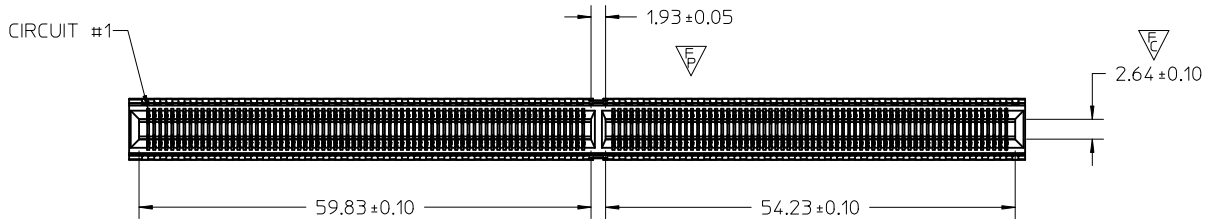
1 BAY EDGELINE



NOTES:

- MATERIAL:
HOUSING - GLASS FILLED THERMOPLASTIC, 94-V0, BLACK
TERMINALS - COPPER ALLOY
- FINISH:
CONTACT AREA: HARD GOLD -0.76µm MIN OVER 3.80µ NICKEL
COMPLIANT AREA: TIN - 0.76/1.52µm OVER NICKEL
- REFER TO PS-75594-999 PRODUCT SPECIFICATION FOR ALL ELECTRICAL, MECHANICAL AND ENVIROMENTAL SPECIFICATIONS.
- PROCESSING: PRESSFIT TO PC BOARD.
- MATING PC BOARD THICKNESS = 2.36±0.16MM OVER CONTACT PADS.
- PRODUCT IS ELV AND RoHS COMPLIANT. LEVEL OF COMPLIANCE: 6/6
ALL BANNED SUBSTANCES ARE REMOVED:
Pb (LEAD)
HEXAVALENT CHROMIUM (CrVI)
CADMIUM
MERCURY
POLYBRMINATED BIPHENYL (PBB)
POLYBROMINATED DIPHENYL ETHER (PBDE)
- THIS PART CONFORMS TO CLASS B REQUIREMENTS OF COSMETIC SPEC PS-45499-002
- FOR EDGECARD AND MOUNTING PCB LAYOUT DETAIL SEE CORRESPONDING SALES DRAWING.

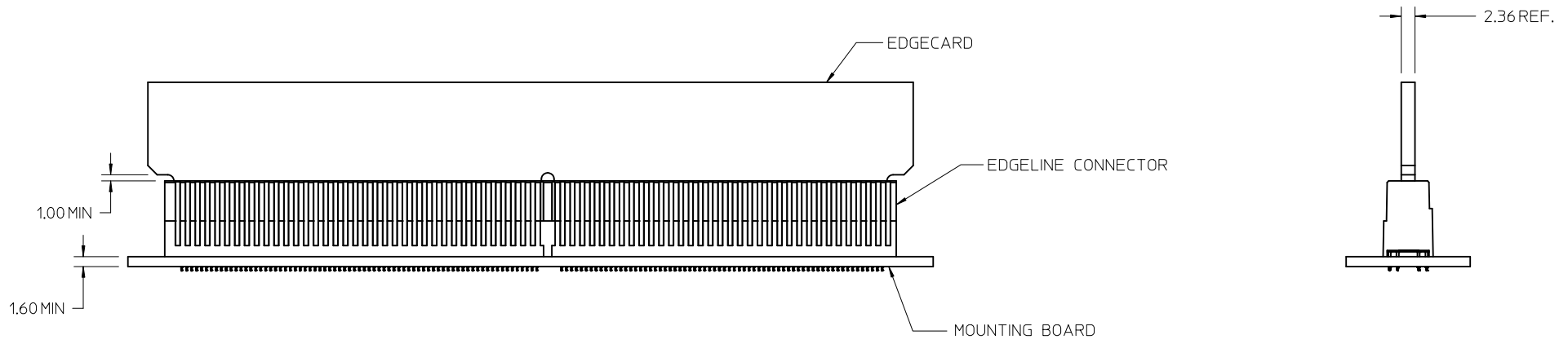
RELEASED REV A EC NO: UCP2011-2702 DRWNG: DROSCA 2011/03/07 CHKD: JCOMERC I 2011/03/28 APPR: JCOMERC I 2011/03/28	QUALITY SYMBOLS ▽ = 0 ▽ = 0 ▽ = 0	GENERAL TOLERANCES (UNLESS SPECIFIED)		DIMENSION STYLE MM ONLY		SCALE 2:1	DESIGN UNITS METRIC	THIRD ANGLE PROJECTION		
		4 PLACES ± --- ± ---	mm	INCH	DRAWN BY	DATE	EDGELINE 12.5GB 0.093" PCB 0.8MM PITCH			
		3 PLACES ± --- ± ---			CHECKED BY	DATE				
		2 PLACES ± --- ± ---			JCOMERC I	2011/03/28				
1 PLACE ± --- ± ---			APPROVED BY	DATE						
		ANGULAR ±1/2°		JCOMERC I	2010/10/25					
DRAFT WHERE APPLICABLE MUST REMAIN WITHIN DIMENSIONS		SEE TABLE		MATERIAL NO. DOCUMENT NO.		MOLEX INCORPORATED		SHEET NO. 1 OF 1		
		THIS DRAWING CONTAINS INFORMATION THAT IS PROPRIETARY TO MOLEX INCORPORATED AND SHOULD NOT BE USED WITHOUT WRITTEN PERMISSION								



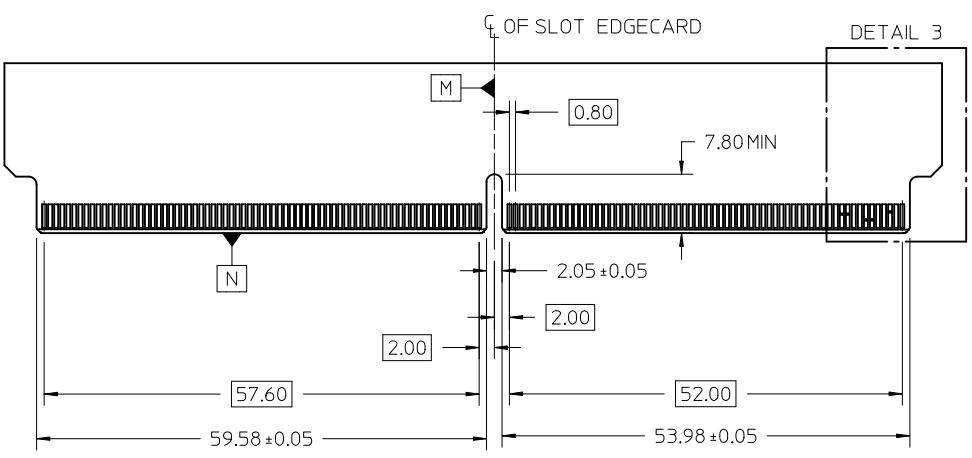
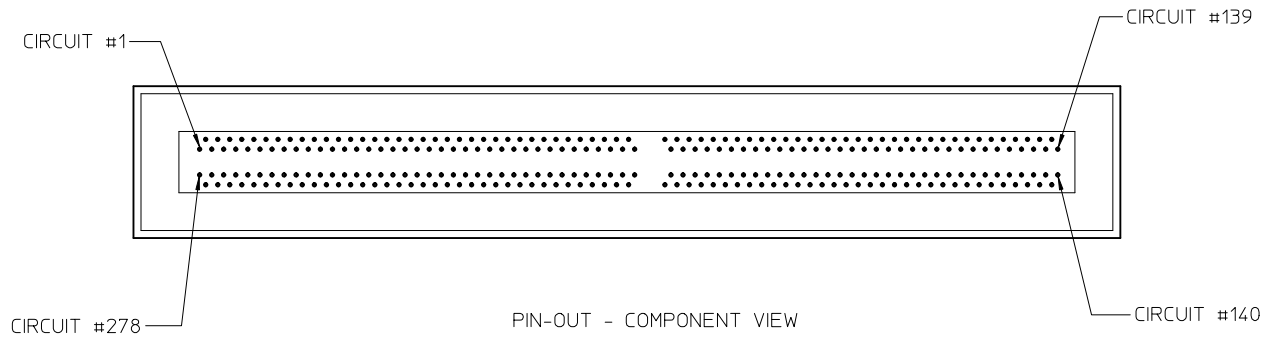
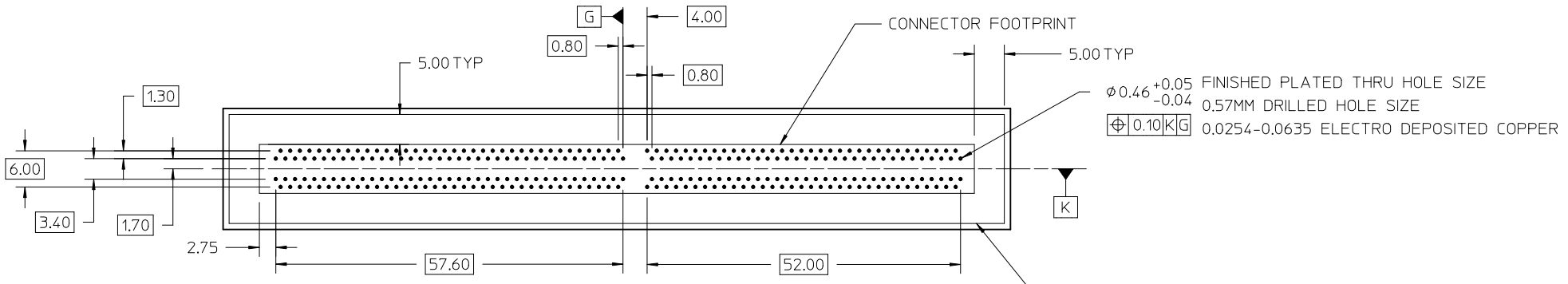
- NOTES:
- MATERIAL:
HOUSING - GLASS FILLED THERMOPLASTIC, 94-V0, BLACK
TERMINALS - COPPER ALLOY
 - FINISH:
CONTACT AREA: HARD GOLD -0.76μm MIN OVER 3.80μ NICKEL
COMPLIANT AREA: TIN - 0.76/1.52μm OVER NICKEL
 - REFER TO PS-75594-999 PRODUCT SPECIFICATION FOR ALL ELECTRICAL, MECHANICAL AND ENVIRONMENTAL SPECIFICATIONS.
 - REFER TO PK-76693-900 FOR ALL PACKAGING SPECIFICATIONS.
 - PROCESSING: PRESSFIT TO PC BOARD.
 - MATING PC BOARD THICKNESS = 2.36±0.16MM OVER CONTACT PADS.
 - PRODUCT IS ELV AND RoHS COMPLIANT. LEVEL OF COMPLIANCE: 6/6
ALL BANNED SUBSTANCES ARE REMOVED:
Pb (LEAD)
HEXAVALENT CHROMIUM (CrVI)
CADMIUM
MERCURY
POLYBROMINATED BIPHENYL (PBB)
POLYBROMINATED DIPHENYL ETHER (PBDE)
 - THIS PART CONFORMS TO CLASS B REQUIREMENTS OF COSMETIC SPEC PS-45499-002

INITIAL RELEASE EC NO: UCP2011-2746 DRW: DROSCA 2011/03/10 CHKD: APPR: JCOMERCI 2011/03/11	QUALITY SYMBOLS ▽ = 0 ▽ = 1 ▽ = 1	GENERAL TOLERANCES (UNLESS SPECIFIED)		DIMENSION STYLE MM ONLY		SCALE 2:1	DESIGN UNITS METRIC	THIRD ANGLE PROJECTION	
		mm	INCH	DRAWN BY DROSCA	DATE 2011/03/10	TITLE EDGELINE 12.5GB 0.093" PCB, 0.8MM PITCH 278 CIRCUITS			
1	DESCRIPTION	4 PLACES ± --- ± ---	3 PLACES ± --- ± ---	CHECKED BY		DATE	APPROVED BY JCOMERCI DATE 2011/03/11		
		2 PLACES ± 0.13 ± ---	1 PLACE ± 0.25 ± ---	MATERIAL NO. 1706722278		DATE			
DRAFT WHERE APPLICABLE MUST REMAIN WITHIN DIMENSIONS		ANGULAR ± 1/2°		SIZE C		THIS DRAWING CONTAINS INFORMATION THAT IS PROPRIETARY TO MOLEX INCORPORATED AND SHOULD NOT BE USED WITHOUT WRITTEN PERMISSION			

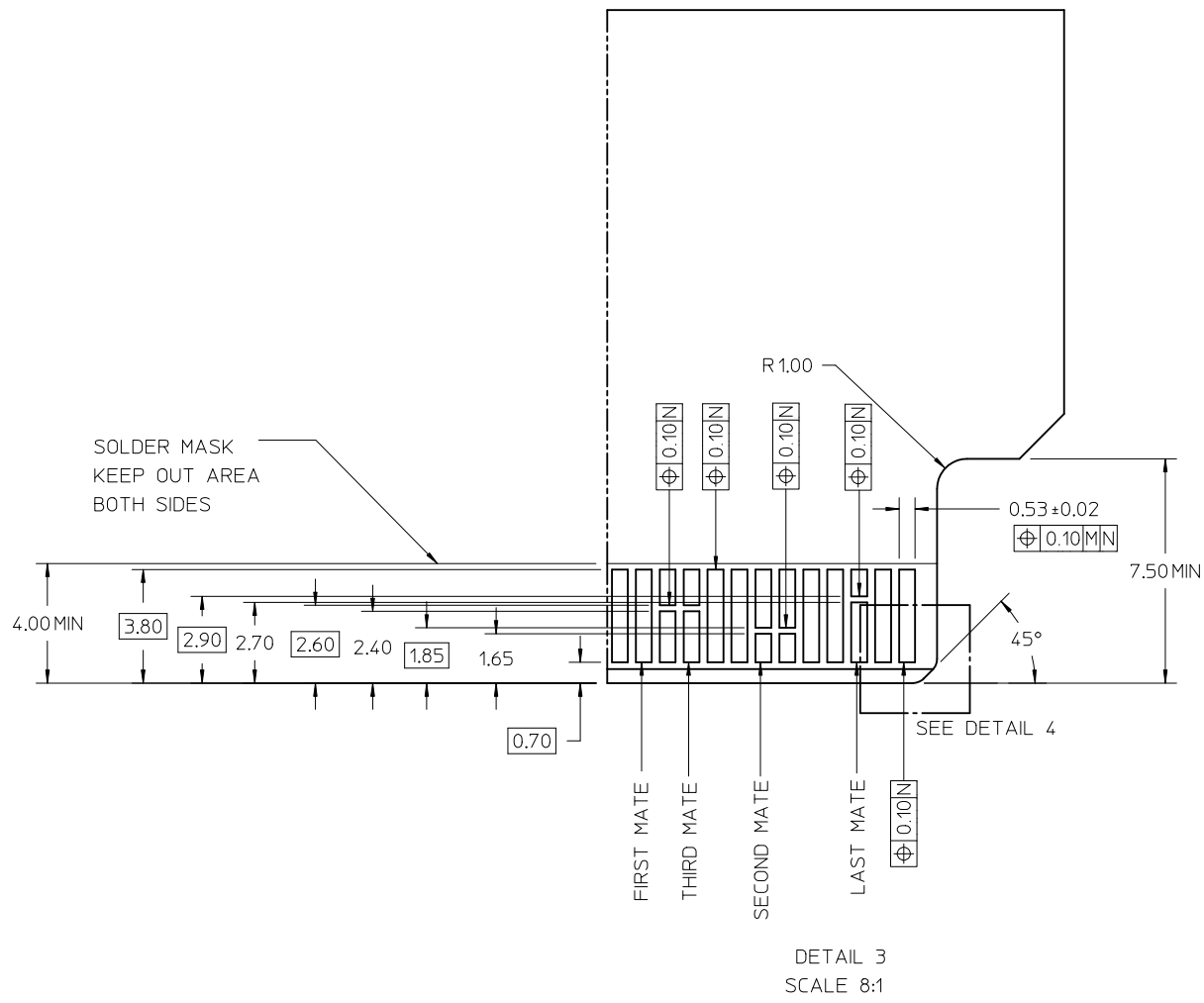
EDGE LINE CONNECTOR BOARD MOUNTING



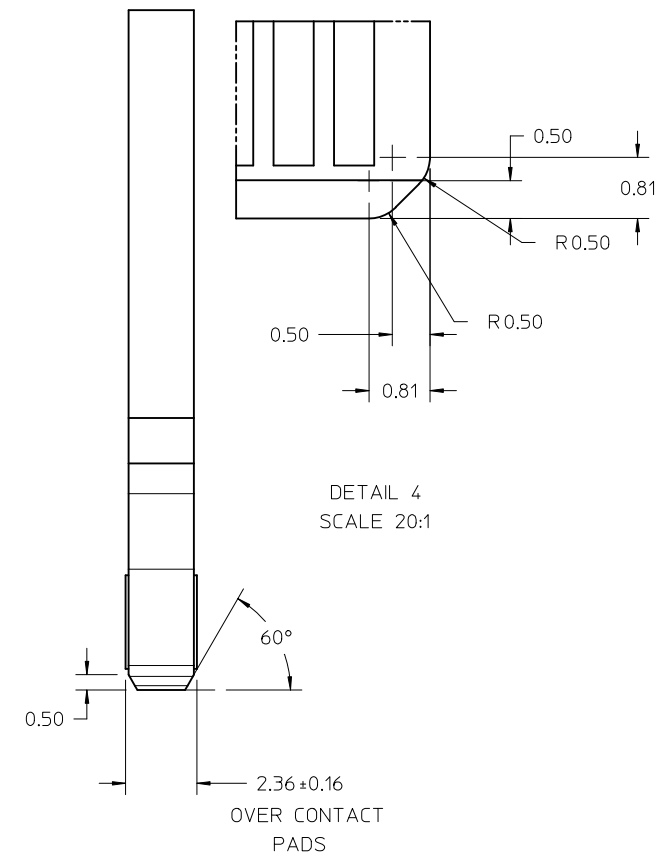
SEE SHEET 1 EC NO: UCP2011-2746 2011/03/10 DRW: DROSCA CHKD: APPR: JCOMERCI 2011/03/11	REV 1	DESCRIPTION JCOMERCI	QUALITY SYMBOLS ▽=0 ▽=0	GENERAL TOLERANCES (UNLESS SPECIFIED)		DIMENSION STYLE MM ONLY		SCALE 2:1	DESIGN UNITS METRIC	THIRD ANGLE PROJECTION	
				4 PLACES ± --- ± ---	INCH	DRAWN BY DROSCA	DATE 2011/03/10	TITLE EDGE LINE 12.5GB 0.093" PCB, 0.8MM PITCH 278 CIRCUITS			
				3 PLACES ± --- ± ---	INCH	CHECKED BY	DATE				
				2 PLACES ± 0.13 ± ---	INCH	APPROVED BY JCOMERCI		DATE 2011/03/11		MOLEX INCORPORATED DOCUMENT NO. SD-170672-2278	
1 PLACE ± 0.25 ± ---	INCH	MATERIAL NO. SEE SHEET 1		SHEET NO. 2 OF 4							
ANGULAR ± 1/2°				DRAFT WHERE APPLICABLE MUST REMAIN WITHIN DIMENSIONS				THIS DRAWING CONTAINS INFORMATION THAT IS PROPRIETARY TO MOLEX INCORPORATED AND SHOULD NOT BE USED WITHOUT WRITTEN PERMISSION			



SEE SHEET 1 EC NO: UCP2011-2746 DRWN: DROSCA 2011/03/10 CHKD: APPR: JCOMERCI 2011/03/11	QUALITY SYMBOLS	GENERAL TOLERANCES (UNLESS SPECIFIED)	DIMENSION STYLE	SCALE	DESIGN UNITS	THIRD ANGLE PROJECTION
	▽=0	mm INCH	MM ONLY	2:1	METRIC	
	▽=0	4 PLACES ± --- ± ---	DRAWN BY DATE	TITLE		
	▽=0	3 PLACES ± --- ± ---	DROSCA 2011/03/10	EDGELINE 12.5GB		
		2 PLACES ± 0.13 ± ---	CHECKED BY DATE	0.093" PCB, 0.8MM PITCH		
		1 PLACE ± 0.25 ± ---	APPROVED BY DATE	278 CIRCUITS		
		ANGULAR ± 1/2°	JCOMERCI 2011/03/11	MOLEX MOLEX INCORPORATED		
		DRAFT WHERE APPLICABLE MUST REMAIN WITHIN DIMENSIONS	MATERIAL NO.	DOCUMENT NO.	SHEET NO.	
1			SEE SHEET 1	SD-170672-2278	3 OF 4	
			THIS DRAWING CONTAINS INFORMATION THAT IS PROPRIETARY TO MOLEX INCORPORATED AND SHOULD NOT BE USED WITHOUT WRITTEN PERMISSION			



DETAIL 3
SCALE 8:1



DETAIL 4
SCALE 20:1

NOTE:
THESE ARE GENERIC DETAILS THAT DESCRIBES THE CONFIGURATION OF VARIOUS PCB DESIGN ELEMENTS. THE CUSTOMER MUST DETERMINE WHERE AND WHEN TO USE EACH ELEMENT TO ACCOMODATE THEIR SPECIFIC APPLICATION.

SEE SHEET 1 EC NO: UCP2011-2746 DRWN: DROSCA 2011/03/10 CHKD: APPR: JCOMERCI 2011/03/11	DESCRIPTION REV 1	QUALITY SYMBOLS	GENERAL TOLERANCES (UNLESS SPECIFIED)	DIMENSION STYLE	SCALE	DESIGN UNITS	THIRD ANGLE PROJECTION	
		▽=0 ▽=0	mm INCH 4 PLACES ± --- ± --- 3 PLACES ± --- ± --- 2 PLACES ± 0.13 ± --- 1 PLACE ± 0.25 ± --- ANGULAR ±1/2°	MM ONLY DRAWN BY DATE DROSCA 2011/03/10 CHECKED BY DATE	8:1	METRIC	[Symbol]	
		DRAFT WHERE APPLICABLE MUST REMAIN WITHIN DIMENSIONS	APPROVED BY DATE JCOMERCI 2011/03/11	TITLE EDGELINE 12.5GB 0.093" PCB, 0.8MM PITCH 278 CIRCUITS	MOLEX INCORPORATED	MATERIAL NO. SEE SHEET 1	DOCUMENT NO. SD-170672-2278	SHEET NO. 4 OF 4
		THIS DRAWING CONTAINS INFORMATION THAT IS PROPRIETARY TO MOLEX INCORPORATED AND SHOULD NOT BE USED WITHOUT WRITTEN PERMISSION						