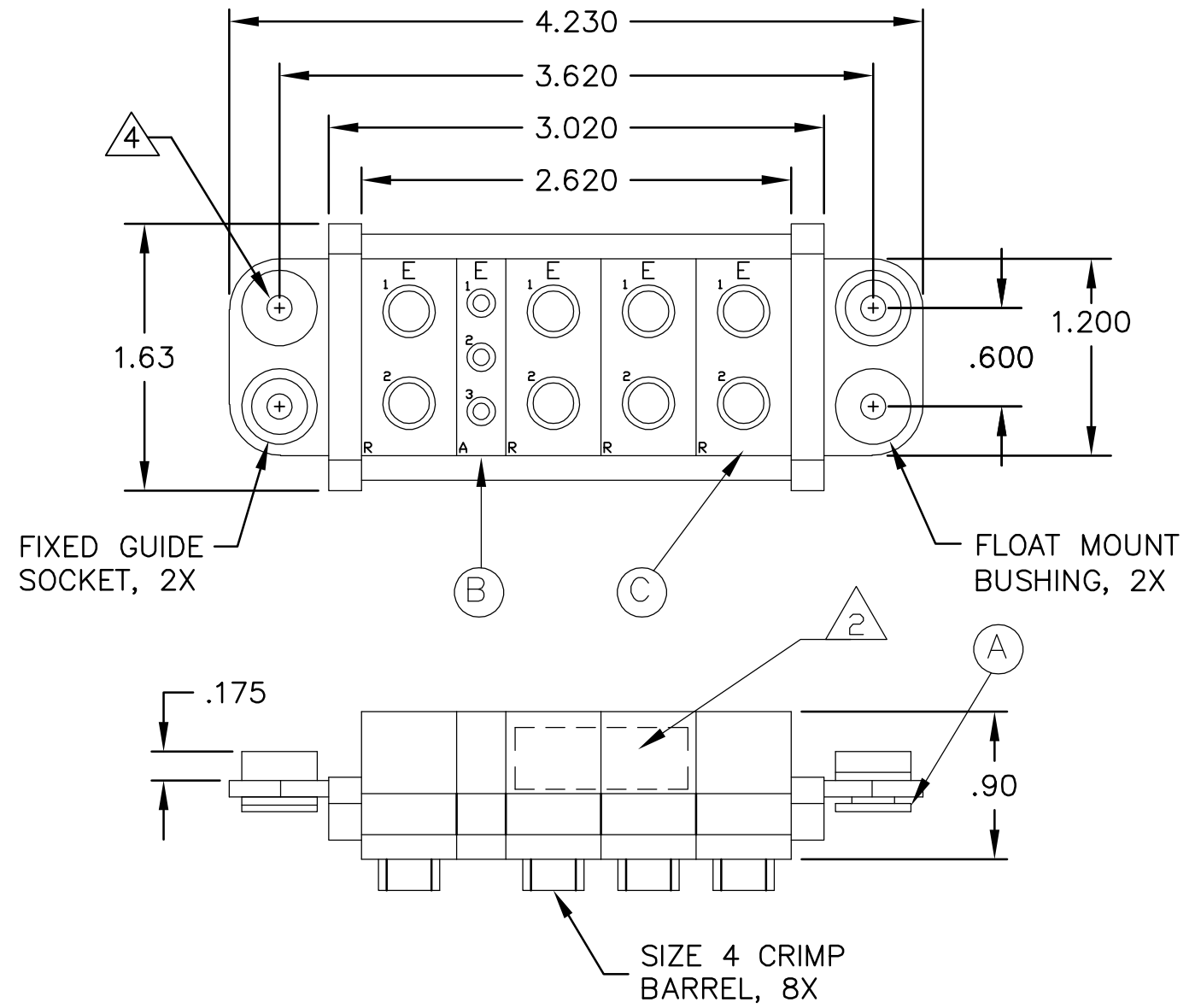


THIS DRAWING IS UNPUBLISHED. RELEASED FOR PUBLICATION
 © COPYRIGHT BY TYCO ELECTRONICS CORPORATION. ALL RIGHTS RESERVED.

LOC	DIST	REVISIONS					
GP	00	P	LTR	DESCRIPTION	DATE	DWN	APVD
			A	RELEASED	19DEC06	RG	DO



1. PART NUMBER CHANGES AND/OR DESIGN CHANGES AFFECTING ITEM INTERCHANGEABILITY REQUIRE PRIOR TYCO APPROVAL AND AUTHORIZATION BY REVISION TO THIS DRAWING.

2 ITEMS PROVIDED TO THIS SPECIFICATION TO BE PERMANENTLY IDENTIFIED PER THE FOLLWOING IDENTIFIER:



3. MODULES NOTED ARE CRIMP REMOVABLE STYLE. REMOVABLE CONTACTS ITEMS D & E WILL BE PACKAGED SEPARATELY AND SHIPPED LOOSE WITH THE CONNECTOR ASSY.

4 MOUNTING FLANGE BUSHING ACCEPTS 6/32 SCREW (.156 DIA. CLEARANCE HOLE, FLOAT MOUNT) OR 8/32 SCREW (.173 DIA. CLEARANCE HOLE, FIXED MOUNT) USER SUPPLIED.

8	6648434-1	SOCKET CONTACT, SIZE #4	E
3	6648318-1	SOCKET CONTACT, SIZE #12	D
4	1648457-1	MODULE R	C
1	1648466-1	MODULE A	B
2	6648252-1	GUIDE SOCKET FLOAT MOUNT	A
-1	PART NUMBER	DESCRIPTION	ITEM NO.

THIS DRAWING IS A CONTROLLED DOCUMENT.		DWN	19DEC2006	R.GRZYBOWSKI		tyco Electronics	Tyco Electronics Corporation	
DIMENSIONS: INCHES		CHK	19DEC06	D.ORRIS			Harrisburg, PA 17105-3608	
TOLERANCES UNLESS OTHERWISE SPECIFIED:		APVD	19DEC06	S.FLICKINGER		NAME		
0 PLC ± -		PRODUCT SPEC		-		SOCKET CONNECTOR		
1 PLC ± -		APPLICATION SPEC		-		DOMINO		
2 PLC ± .02		WEIGHT		-		SIZE	CAGE CODE	DRAWING NO
3 PLC ± .010		MATERIAL		-		A3 00779		RESTRICTED TO
4 PLC ± -		FINISH		-		C=6646175		-
ANGLES ± 3		CUSTOMER DRAWING		SCALE		1:1		SHEET
-		-		-		1 OF 2		REV
-		-		-		-		A

THIS DRAWING IS UNPUBLISHED.

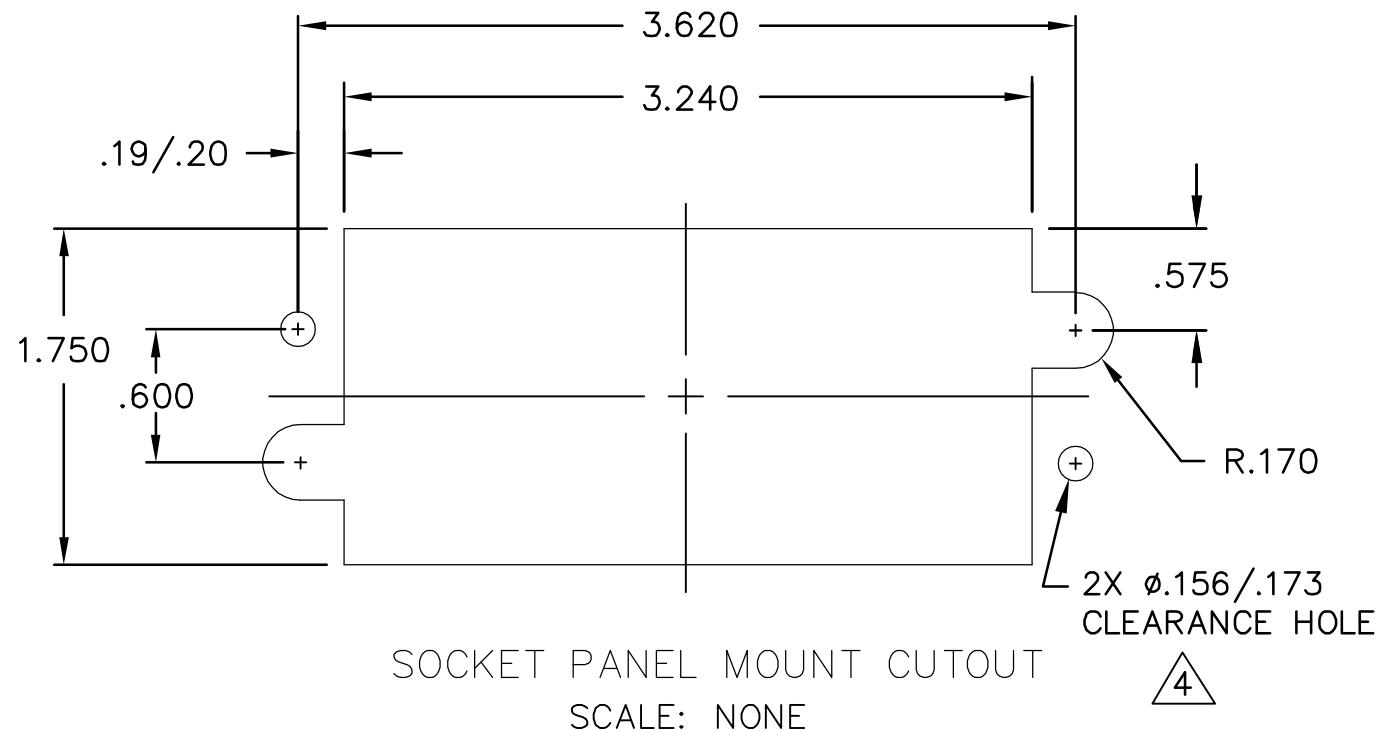
RELEASED FOR PUBLICATION

© COPYRIGHT - BY TYCO ELECTRONICS CORPORATION. ALL RIGHTS RESERVED.

LOC GP DIST 00

REVISIONS

P	LTR	DESCRIPTION	DATE	DWN	APVD
-	-	SEE SHEET 1	-	-	-



THIS DRAWING IS A CONTROLLED DOCUMENT.		DWN R.GRZYBOWSKI 19DEC2006	Tyco Electronics Corporation Harrisburg, PA 17105-3608		
DIMENSIONS: INCHES		CHK D.ORRIS 19DEC06	NAME SOCKET CONNECTOR DOMINO W/PANEL CUT-OUT		
		APVD S.FLICKINGER 19DEC06			
TOLERANCES UNLESS OTHERWISE SPECIFIED:		PRODUCT SPEC -	SIZE A3	CAGE CODE 00779	DRAWING NO C-6646175
0 PLC ± - 1 PLC ± - 2 PLC ± .02 3 PLC ± .010 4 PLC ± - ANGLES ± 3		APPLICATION SPEC -	RESTRICTED TO -		
MATERIAL -		WEIGHT -	SCALE 1:1 SHEET 2 OF 2 REV A		
		CUSTOMER DRAWING			