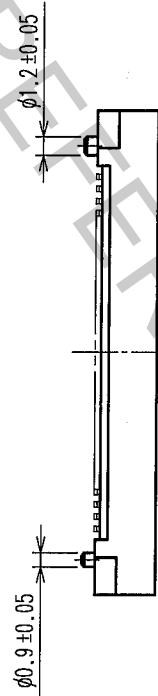
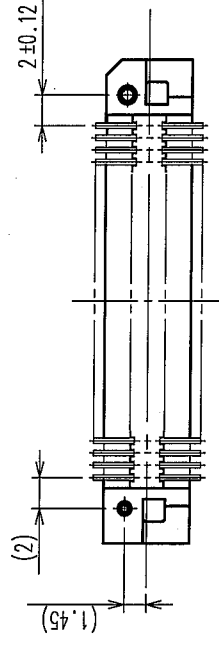
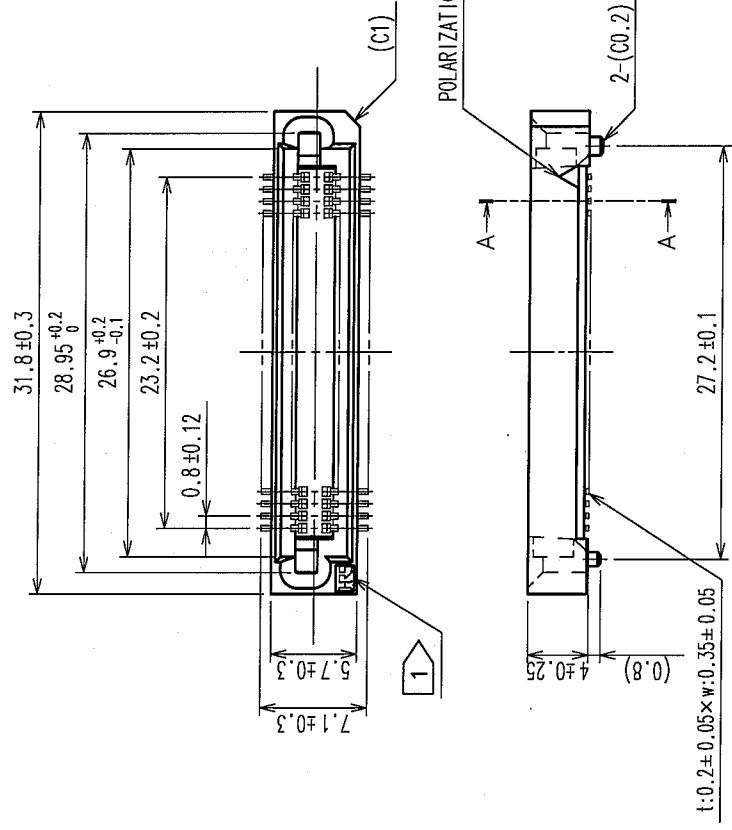
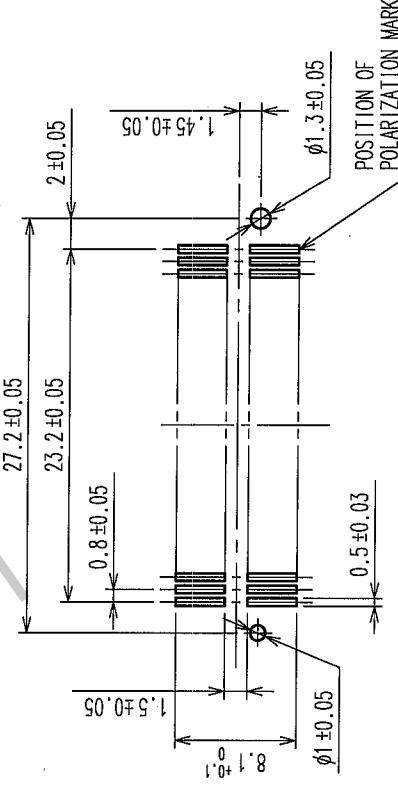


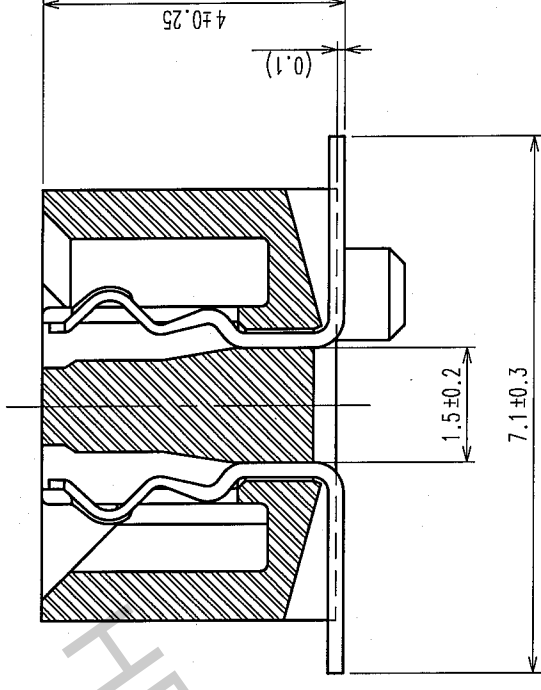
COUNT	DESCRIPTION OF REVISIONS	BY	CHKD	DATE	COUNT	DESCRIPTION OF REVISIONS	BY	CHKD	DATE
△					△				
△					△				
△					△				



RECOMMENDED LAND PATTERN DIMENSION OF PCB (MOUNTING SIDE)



A-A (10:1)



NOTE 1 HR5 MARK SHALL BE OPTIONAL.

2 LEAD CO-PLANARITY SHALL BE 0.1mm MAX.

3 EMBOSSED CARRIER TAPE PACKAGING SHALL BE APPLIED TO THIS PRODUCT.

SEE NEXT PAGE FOR DETAILS.

4 THIS PRODUCT HAS TAPE FOR VACUUM PICKUP.

SEE NEXT PAGE FOR DETAIL OF STICKING POSITION, ETC.

5 FOR MODIFICATION, ETC, PREVENTIVE HOLE FOR SINK MARK MAY BE


ADDED ACCORDING TO CIRCUMSTANCES.

6 THE DIMENSIONS IN PARENTHESES ARE FOR REFERENCE.

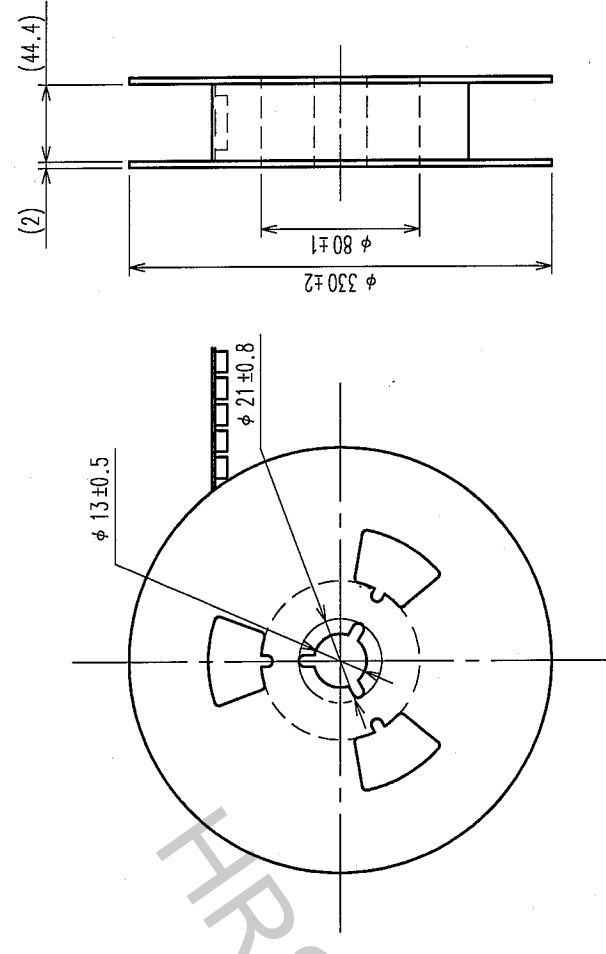
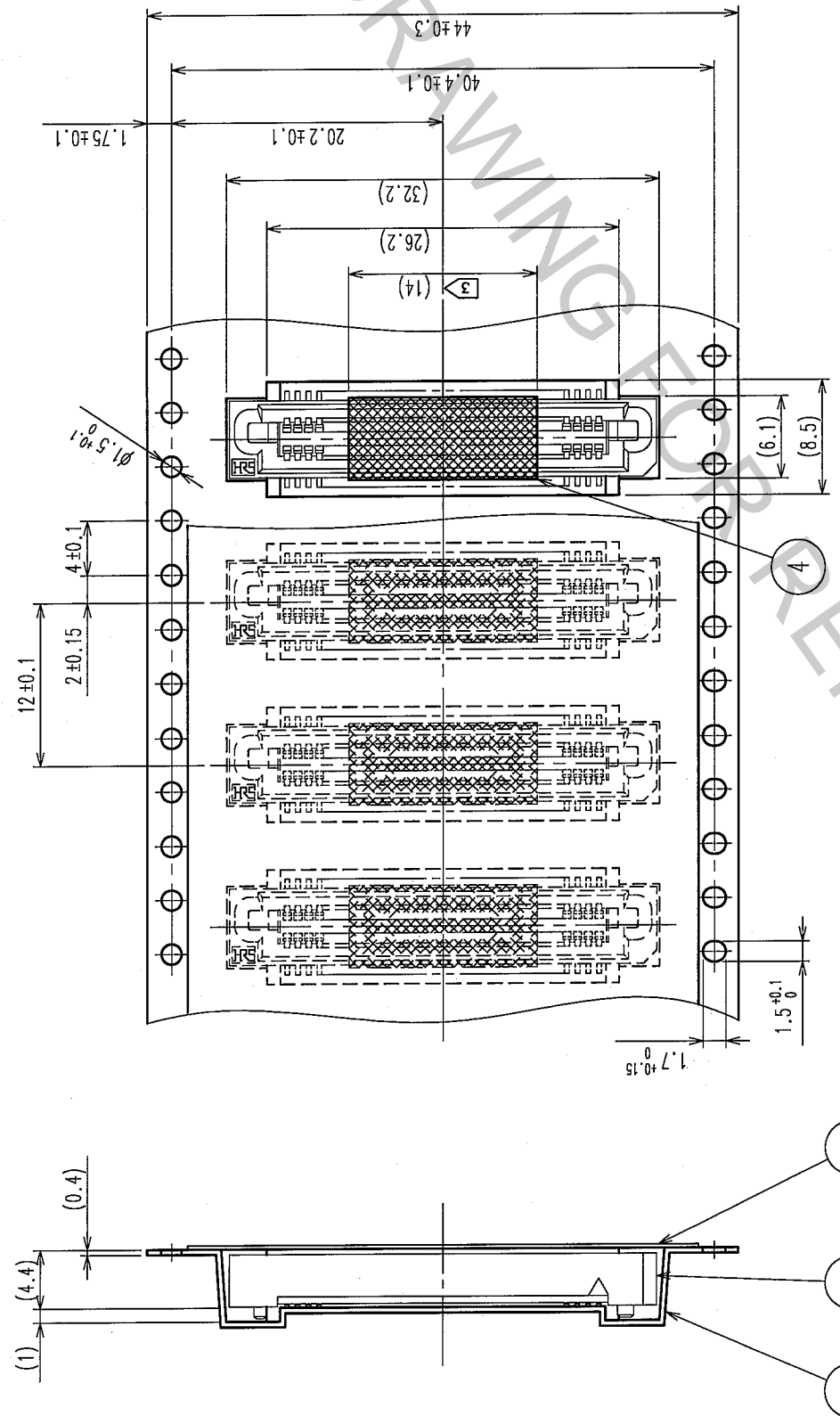
1	PPS	LIGHT BROWN (UL94V-0)	2	PHOSPHOR BRONZE		CONTACT AREA: GOLD 0.1μm min. LEAD AREA: TIN-PLATING 1μm min. UNDER PLATING: NICKEL 2μm min.
NO.	MATERIAL	FINISH, REMARKS	NO.	MATERIAL	FINISH, REMARKS	
CODE NO. (OLD)		DRAWN		DESIGNED	CHECKED	APPROVED
		K. NAKAMURA		K. NAKAMURA	X. Ogami	H. Okawa
		06.01.24		06.01.24	06.01.25	06.01.25
		DRAWING NO.		PART NO.		
		EDC3-084981-23		FX6-60S-0.8SV(93)		
SCALE		UNITS		CODE NO.		
2 : 1		mm		CL576-0105-9-93		
				1/2		

TO

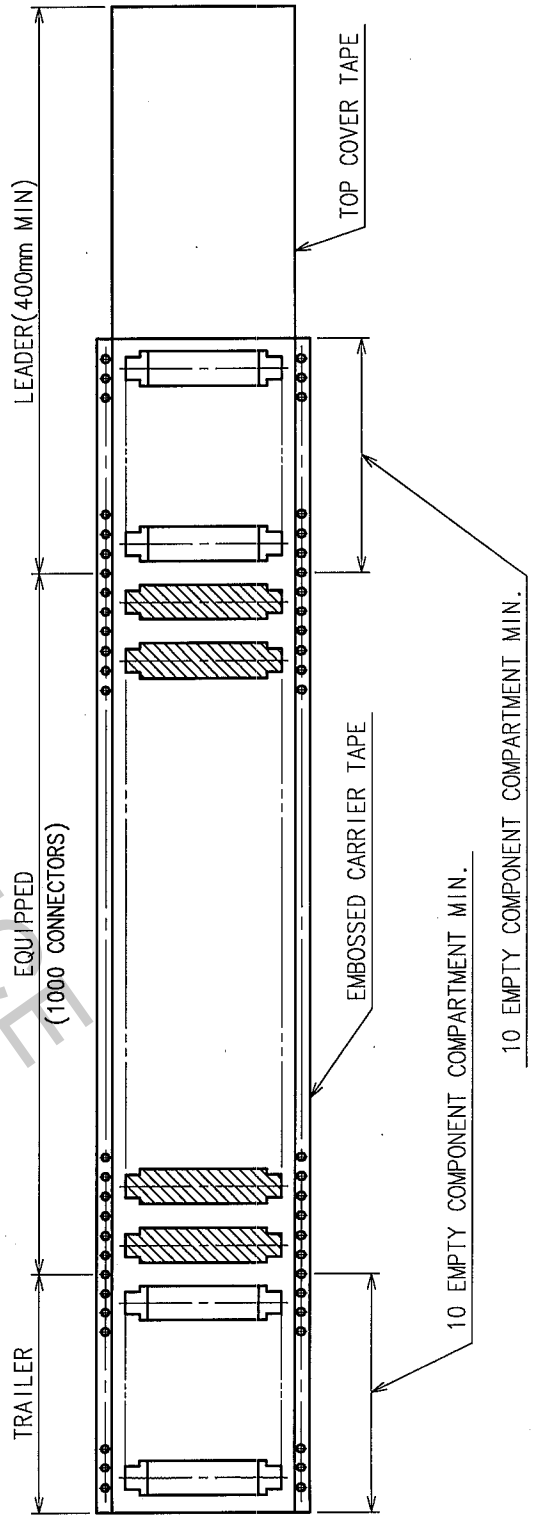
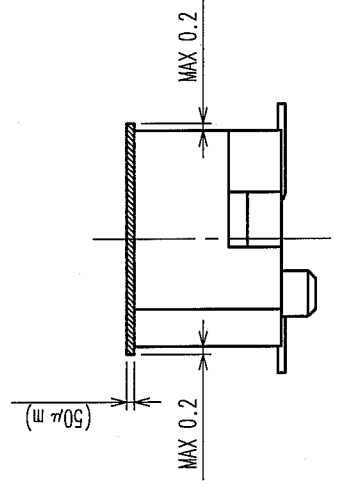
COUNT	DESCRIPTION OF REVISIONS	BY	CHKD	DATE	COUNT	DESCRIPTION OF REVISIONS	BY	CHKD	DATE

UNREELING DIRECTION 

REEL DIMENSION (FREE)



DETAIL OF TAPE FOR VACUUM PICKUP(5:1)



NOTE 1 1 REEL : 1000 CONNECTORS.
 2 THE DIMENSIONS IN PARENTHESES ARE FOR REFERENCE.
 3 REMOVE THE VACUUM PICKUP TAPE AFTER MOUNTING THE CONNECTOR.

NO.	MATERIAL	FINISH, REMARKS	NO.	MATERIAL	FINISH, REMARKS
2	POLYESTER	(TOP COVER TAPE)	4	POLYIMIDE	(TAPE FOR VUCUUM PICKUP)
1	POLYSTYRENE	(EMBOSSED CARRIER TAPE)	3		(CONNECTOR)

CODE NO. (OLD)	DRAWN	DESIGNED	CHECKED	APPROVED	RELEASED
	K.NAKAMURA	K.NAKAMURA	K.Ogawa	Hobawa	
	06.01.24	06.01.24	06.01.25	06.01.25	

DRAWING NO.	PART NO.
EDC3-084981-23	FX6-60S-0.8SV(93)

SCALE	UNITS	CODE NO.
2 : 1	mm	CL576-0105-9-93

TO