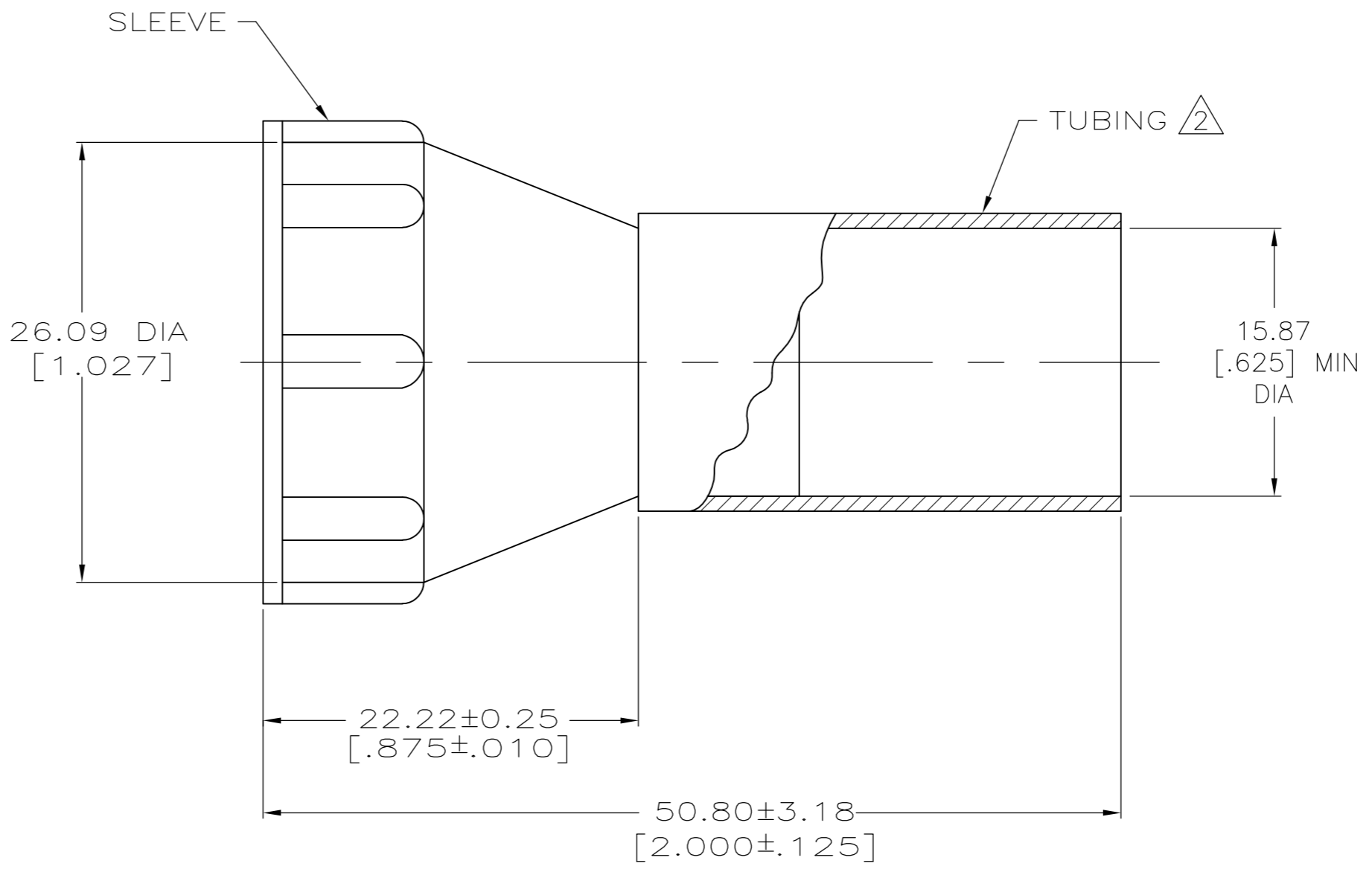
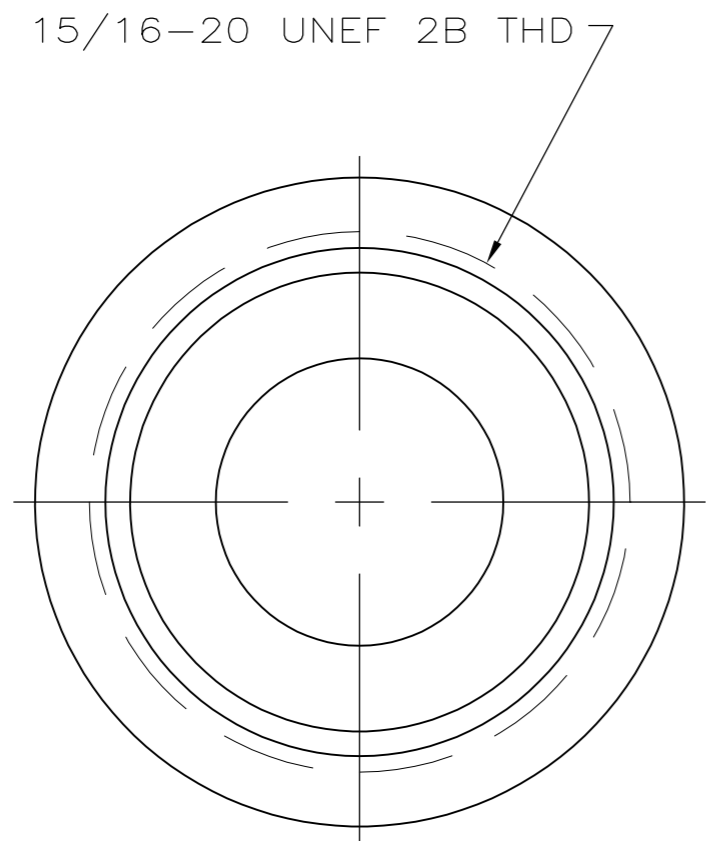


THIS DRAWING IS UNPUBLISHED. RELEASED FOR PUBLICATION
 © COPYRIGHT BY TYCO ELECTRONICS CORPORATION. ALL RIGHTS RESERVED.

LOC	DIST	REVISIONS					
FT	0	P	LTR	DESCRIPTION	DATE	DWN	APVD
		C		REVISED PER ECO-07-010208	5/1/07	SS	SH

NOTES:
 ① TUBING: POLYOLEFIN, 94V2 RATED.
 SLEEVE: NYLON, BLACK.
 ② ACTUAL SHAPE MAY VARY DUE TO PROCESS VARIANCE.



THIS DRAWING IS A CONTROLLED DOCUMENT.		DWN W.G.LENKER 19 MAR 96	Tyco Electronics Corporation Harrisburg, PA 17105-3608	
DIMENSIONS: mm [INCHES]		CHK R.STONE 19 MAR 96		
TOLERANCES UNLESS OTHERWISE SPECIFIED:		APVD A.FRANTUM 20 MAR 96	NAME STRAIN RELIEF ASSEMBLY, SHELL SIZE 17, CPC	
0 PLC ± - 1 PLC ± - 2 PLC ± 0.13[.005] 3 PLC ± - 4 PLC ± - ANGLES ± -		PRODUCT SPEC -	SIZE A2	CAGE CODE 00779
MATERIAL -		FINISH -	DRAWING NO C=213933	RESTRICTED TO -
CUSTOMER DRAWING			SCALE NTS	SHEET 1 OF 1
			REV C	

213933